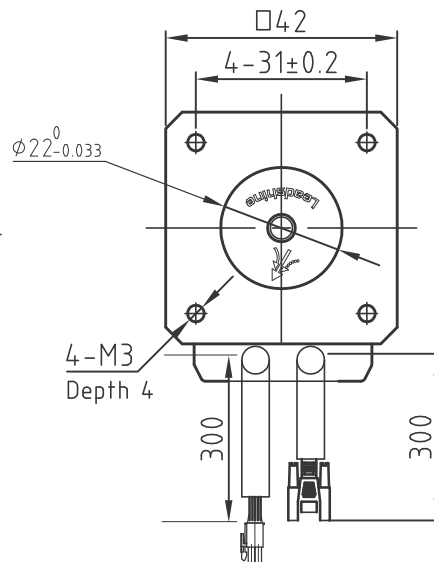
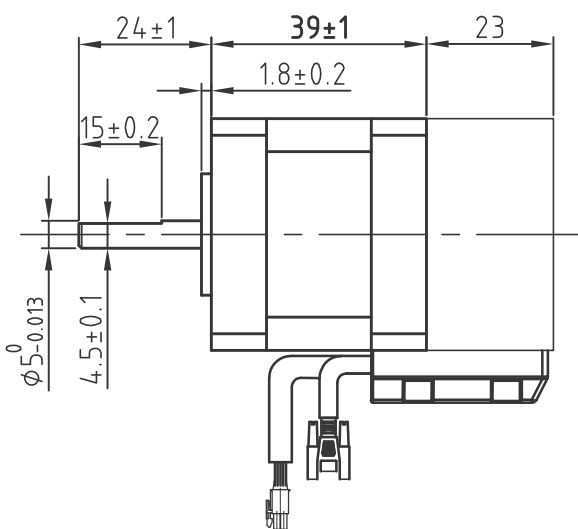


CS-M21704

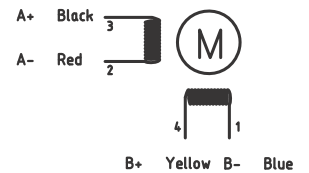
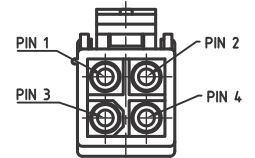


- 2 phase, NEMA 17 frame size
- 62 mm (2.44 inch) long
- 1.5 A phase current
- 0.4 N.m (57 oz-in) holding torque
- 5 mm (0.197 inch) shaft size
- Integrated 1,000 line (4,000 count/revolution) quadrature rotary encoder
- High precision, low motor heating, and low vibration

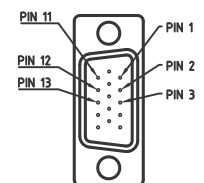
Dimension: (Unit: mm)



Motor Connections



Encoder Signals



Common Rating

Step angle	1.8°
Position accuracy	1.8±0.09°
Dielectric strength	500VAC 1min
Insulation resistance	100MΩ(500VDC)
Insulation class	B
Temp rise(Max)	80K
Radial play	Max.0.02mm(Load 450g)
Axial play	Max.0.08mm(Load 900g)

Specification

Current/phase	1.5 A
Voltage	3.5 V
DC Resistance/phase ±10%	2.3 Ω
Inductance/phase ±20%	4.3 mH
Holding torque	0.4 N·M
Inertia	0.054 kg·cm ²
Weight	0.5 kg
Encoder Resolution	1000 cpr

PIN	1	2	3	11	12	13
Color	BLK	RED	WHT	YEL	GRN	BLU
Define	A+	VCC	GND	B+	B-	A-

