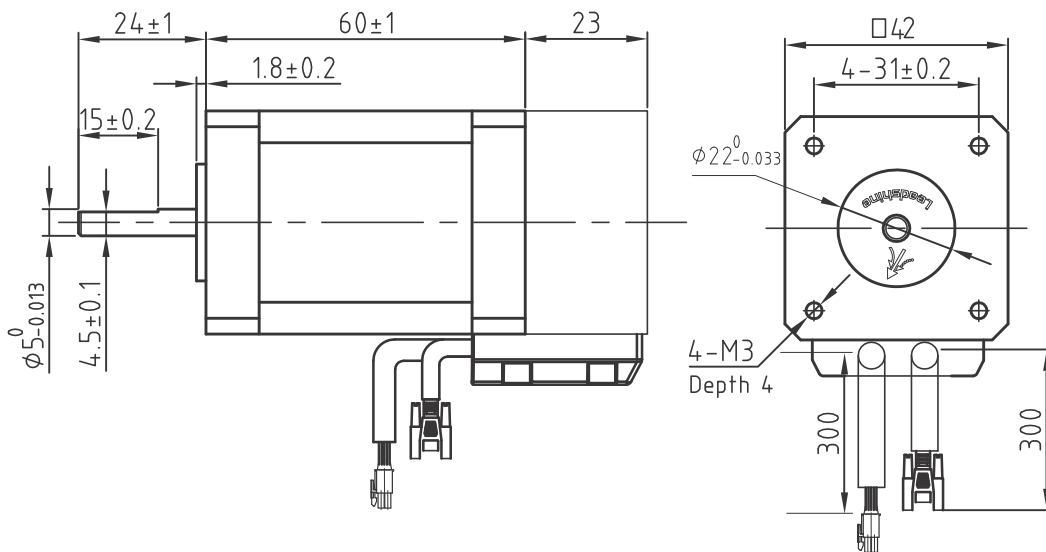


## CS-M21708

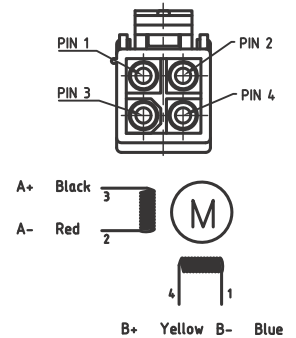


- 2 phase, NEMA 17 frame size
- 83 mm (3.27 inch) long
- 2.5 A phase current
- 0.8 N.m (114 oz-in) holding torque
- 5 mm (0.197 inch) shaft size
- Integrated 1,000 line (4,000 count/revolution) quadrature rotary encoder
- High precision, low motor heating, and low vibration

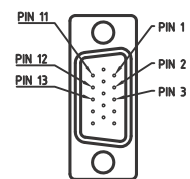
Dimension: (Unit: mm)



Motor Connections



Encoder Signals



### Common Rating

Step angle	1.8°
Position accuracy	1.8±0.09°
Dielectric strength	500VAC 1min
Insulation resistance	100MΩhm(500VDC)
Insulation class	B
Temp rise(Max)	80K
Radial play	Max.0.02mm(Load 450g)
Axial play	Max.0.08mm(Load 900g)

### Specification

Current/phase	2.5 A
Voltage	2.5 V
DC Resistance/phase ±10%	1 Ω
Inductance/phase ±20%	2.4 mH
Holding torque	0.8 N·M
Inertia	0.11 kg·cm <sup>2</sup>
Weight	0.75 kg
Encoder Resolution	1000 cpr

PIN	1	2	3	11	12	13
Color	BLK	RED	WHT	YEL	GRN	BLU
Define	A+	VCC	GND	B+	B-	A-

