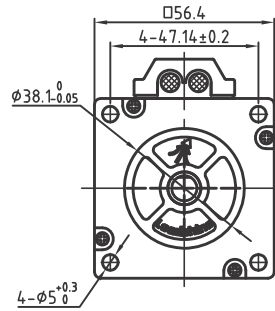
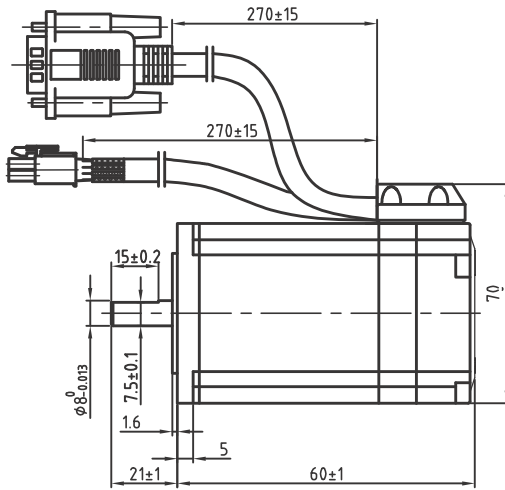


## CS-M22306

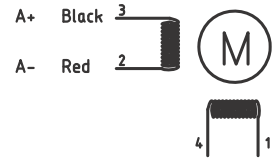
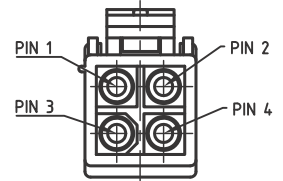


- 2 phase, NEMA 23 frame size
- 60 mm (2.36 inch) long
- 3 A phase current
- 0.6 N.m (85 oz-in) holding torque
- 8 mm (0.315 inch) shaft size
- Integrated 1,000 line (4,000 count/revolution) quadrature rotary encoder
- High precision, low motor heating, and low vibration

Dimension: (Unit: mm)

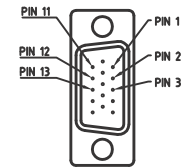


Motor Connections:



B+ Yellow B- Green

Encoder Signals



### Common Rating

Step angle	1.8°
Position accuracy	1.8±0.09°
Dielectric strength	500VAC 1min
Insulation resistance	100MΩhm(500VDC)
Insulation class	B
Temp rise(Max)	80K
Radial play	Max.0.02mm(Load 450g)
Axial play	Max.0.08mm(Load 900g)

### Specification:

Current/phase	3.0 A
Voltage	1.9 V
DC Resistance/phase ±10%	0.7 Ω
Inductance/phase ±20%	1.4mH
Holding torque	0.6 N·M
Inertia	0.12 kg·cm <sup>2</sup>
Weight	0.65 kg
Encoder resolution	1000 cpr

PIN	1	2	3	11	12	13
Color	BLK	RED	WHT	YEL	GRN	BLU
Define	A+	VCC	GND	B+	B-	A-

