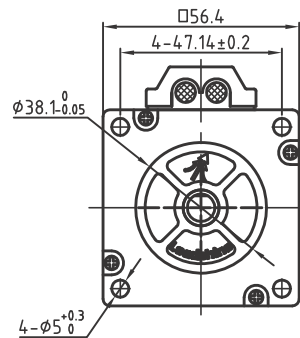
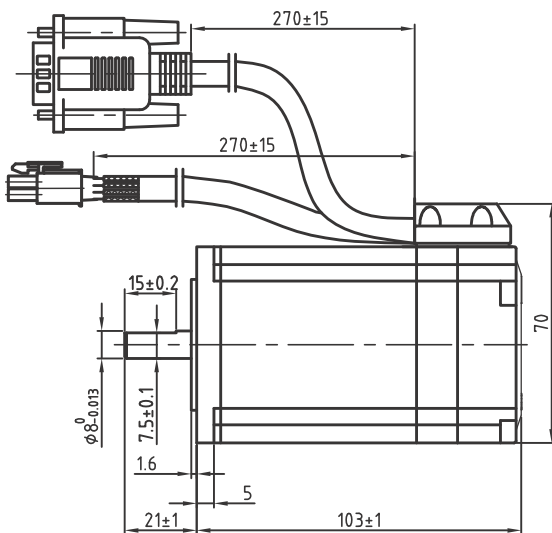


CS-M22326

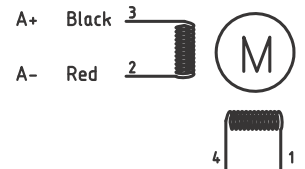
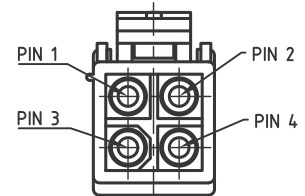


- 2 phase, NEMA 23 frame size
- 104 mm (4.09 inch) long
- 5 A phase current
- 2.6 N.m (369 oz-in) holding torque
- 8 mm (0.315 inch) shaft size
- Integrated 1,000 line (4,000 count/revolution) quadrature rotary encoder
- High precision, low motor heating, and low vibration

Dimension: (Unit: mm)

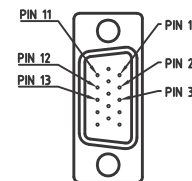


Motor Connctions:



Encoder Signals

B+ Yellow B- Green



Common Rating

Step angle	1.8°
Position accuracy	1.8±0.09°
Dielectric strength	500VAC 1min
Insulation resistance	100MOhm(500VDC)
Insulation class	B
Temp rise(Max)	80K
Radial play	Max.0.02mm(Load 450g)
Axial play	Max.0.08mm(Load 900g)

Specification:

Current/phase	5.0 A
Voltage	2.2 V
DC Resistance/phase ±10%	0.44 Ω
Inductance/phase ±20%	2mH
Holding torque	2.6 N·M
Inertia	0.52 kg·cm ²
Weight	
Encoder resolution	1000 cpr

PIN	1	2	3	11	12	13
Color	BLK	RED	WHT	YEL	GRN	BLU
Define	A+	VCC	GND	B+	B-	A-

