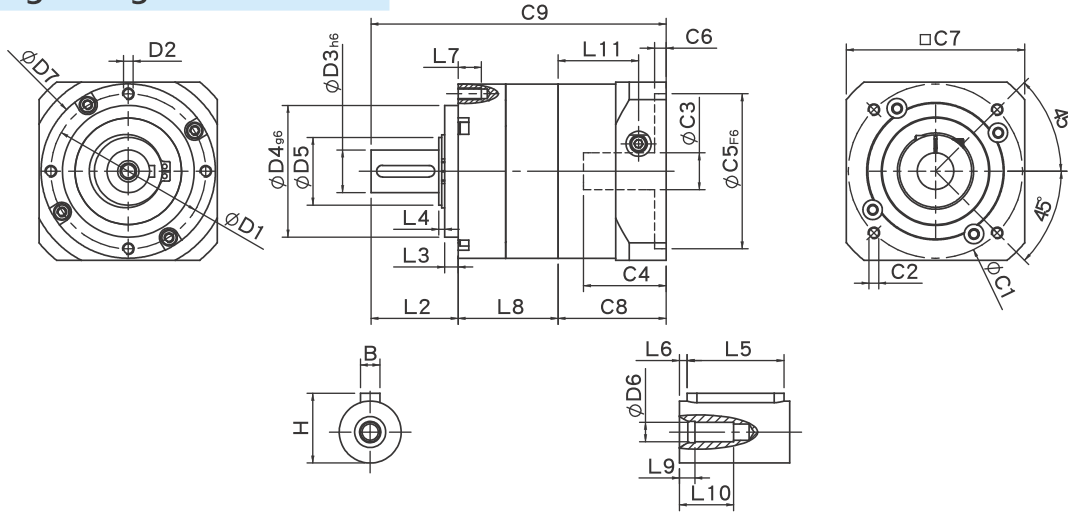


PBC Single Stage Dimensions



Unit:mm

Dimensions	PBC50	PBC70	PBC90
D1	44	62	80
D2	M4x0.7P	M5x0.8P	M6x1.0P
D3 _{h6}	12	16	22
D4 _{g6}	35	52	68
D5	15	20	35
D6	M4x0.7P	M5x0.8P	M8x1.25P
D7	50	70	90
L2	26	36	45
L3	5.5	5	7
L4	2.6	2.7	3
L5	15	25	30
L6	2	2	3
L7	8	10	12
L8	32.4	49.6	54.4
L9	4	4	4.5
L10	14	16.5	20.5
L11	26.9	34.3	41.55
C1 ²	46	70	90
C2 ²	M4x0.7P	M5x0.8P	M6x1.0P
C3 ²	≤8/≤11	≤14/≤19	≤19/≤24/≤28
C4 ²	26.5	33.5	41
C5 ² _{F6}	30	50	70
C6 ²	4	4	6
C7 ²	42.6	60	92
C8 ²	36.4	44.8	55.8
C9 ²	94.8	130.4	155.2
B	5	5	6
H	15	18	24.5

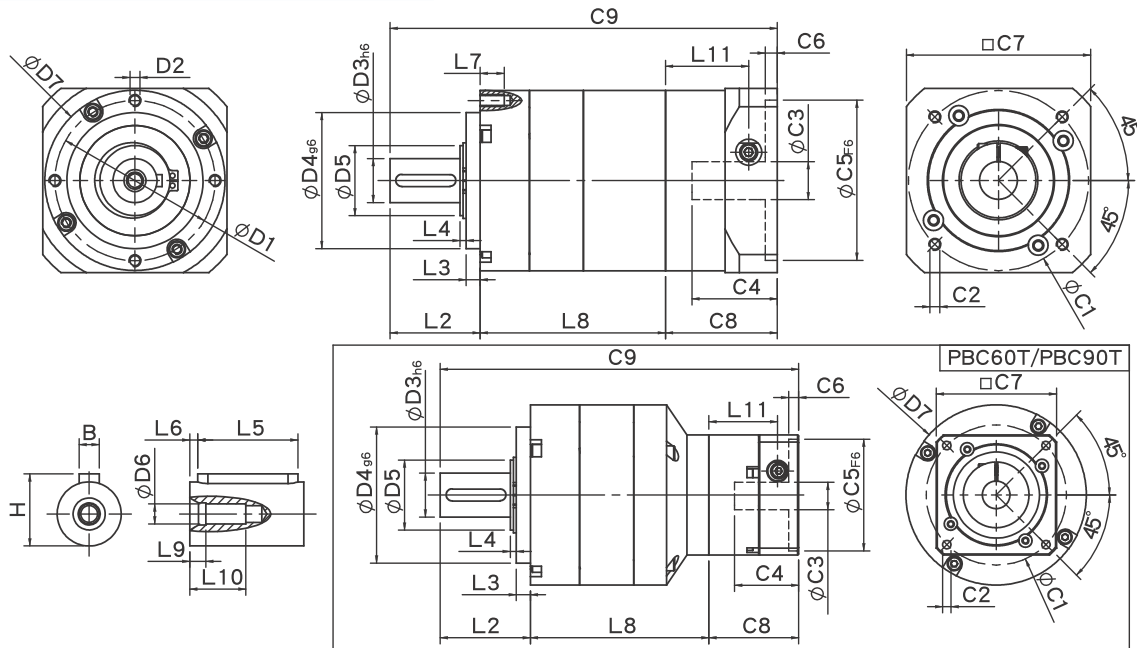


* C1~C9 are motor specific dimensions(metric std shown), Size may vary according to motor flange.

* Specification subject to change without notice.



PBC Double Stage Dimensions



Unit:mm

Dimensions	PBC50	PBC70	PBC70T	PBC90	PBC90T
D1	44	62		80	
D2	M4x0.7P	M5x0.8P		M6x1.0P	
D3 _{h6}	12	16		22	
D4 _{g6}	35	52		68	
D5	15	20		35	
D6	M4x0.7P	M5x0.8P		M8x1.25P	
D7	50	70		90	
L2	26	36		45	
L3	5.5	5		7	
L4	2.6	2.7		3	
L5	15	25		30	
L6	2	2		3	
L7	8	10		12	
L8	57.3	80.3	75.9	95.4	92
L9	4	4		4.5	
L10	14	16.5		20.5	
L11	26.9	34.3	26.9	41.55	34.3
C1 ²	46	70	46	90	70
C2 ²	M4x0.7P	M5x0.8P	M4x0.7P	M6x1.0P	M5x0.8P
C3 ²	≤8/≤11	≤14/≤19	≤8/≤11	≤19/≤24/≤28	≤14/≤19
C4 ²	26.5	33.5	26.5	41	33.5
C5 ² _{F6}	30	50	30	70	50
C6 ²	4	4	4	6	4
C7 ²	42.6	60	42.6	92	60
C8 ²	36.4	44.8	36.4	55.8	44.8
C9 ²	119.7	161.1	148.3	196.2	181.8
B	5	5		6	
H	15	18		24.5	

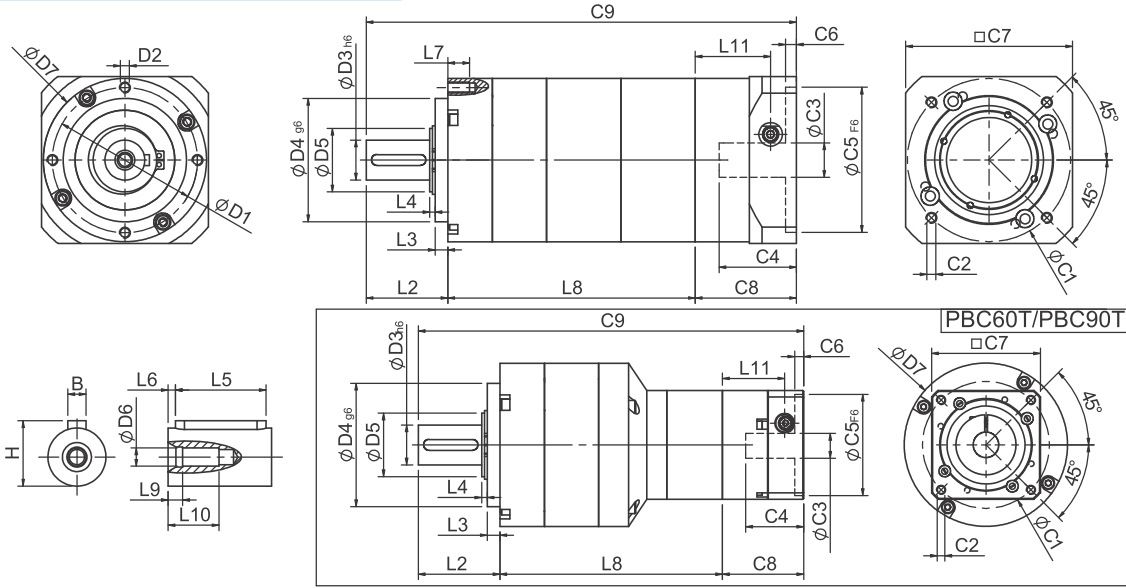
* C1~C9 are motor specific dimensions(metric std shown), Size may vary according to motor flange.

* Specification subject to change without notice.



PBC Triple Stage Dimensions

گیربکس سه استیج به صورت سفارشی قابل تحویل می باشد



Unit:mm

Dimensions	PBC50	PBC70T	PBC90T
D1	44	62	80
D2	M4x0.7P	M5x0.8P	M6x1.0P
D3 _{h6}	12	16	22
D4 _{g6}	35	52	68
D5	15	20	35
D6	M4x0.7P	M5x0.8P	M8x1.25P
D7	50	70	90
L2	26	36	45
L3	5.5	5	7
L4	2.6	2.7	3
L5	15	25	30
L6	2	2	3
L7	8	10	12
L8	82.2	100.8	122.7
L9	4	4	4.5
L10	14	16.5	20.5
L11	26.9	26.9	34.3
C1 ²	46	46	70
C2 ²	M4x0.7P	M4x0.7P	M5x0.8P
C3 ²	≤8/≤11	≤8/≤11	≤14/≤19
C4 ²	26.5	26.5	33.5
C5 ² _{F6}	30	30	50
C6 ²	4	4	4
C7 ²	42.6	42.6	60
C8 ²	36.4	36.4	44.8
C9 ²	144.6	173.2	212.5
B	4	5	6
H	13.5	18	24.5



* C1~C9 are motor specific dimensions(metric std shown), Size may vary according to motor flange.

* Specification subject to change without notice.



تلفن : (021) 33913364 - 33951660

فکس : (021) 33985603

PBC Specifications Table

Specifications	Stage	Ratio	PBC-50	PBC-70	PBC-90		
Nominal Output Torque T_{2N}	1	3	4.8	13.6	33.5		
		4	6.3	21.6	58.6		
		5	6.0	20.5	55.1		
		7	5.6	19.2	51.8		
		9	5.4	18.5	50.0		
	2	Stage	10	5.4	17.0	48.0	
			Ratio	PBC-50	PBC-70(T)	PBC-90(T)	
			15	4.8	13.6	33.5	
			20	6.3	21.6	58.6	
			25	6.0	20.5	55.1	
			35	6.0	20.5	55.1	
			45	6.0	20.5	55.1	
			49	5.6	19.2	51.8	
		3	Stage	63	5.6	19.2	51.8
				81	5.4	18.5	50.0
				Ratio	PBC-50	PBC-70(T)	PBC-90(T)
	125	6.0		20.5	55.1		
	175	6.0		20.5	55.1		
	225	6.0		20.5	55.1		
	245	6.0		20.5	55.1		
	315	6.0		20.5	55.1		
405	6.0	20.5	55.1				
567	5.6	19.2	51.8				
729	5.4	18.5	50.0				
Emergency Stop Torque T_{2NOT}	N • m		3.0 times of Nominal Output Torque (*Max. Output Torque T_{2B} = 60% of Emergency Stop Torque)				
Nominal Input Speed n_{1N}	rpm	1,2,3	3-729	4000	4000	3000	
Max. Input Speed n_{1max}	rpm	1,2,3	3-729	8000	6000	6000	
Backlash	arcmin	1	3-10	≤ 9	≤ 8	≤ 7	
		2	15-81	≤ 12	≤ 10	≤ 9	
		3	125-729	≤ 15	≤ 12	≤ 12	
Torsional Rigidity	N • m / arcmin	1,2,3	3-729	0.8	2.0	7.0	
Max. Radial Load F_{2rB}^1	N	1,2,3	3-729	540	1040	1700	
Max. Axial Load F_{2aB}^1	N	1,2,3	3-729	360	720	735	
Operating Temp.	°C	1,2,3	3-729	-10 °C ~ +90 °C			
Service Life	hr	1,2,3	3-729	20,000 (10,000/ Continuous operation)			
Efficiency	%	1	3-10	≥ 95%			
		2	15-81	≥ 90%			
		3	125-729	≥ 85%			
Weight	kg	1	3-10	0.5	1.2	3.1	
		2	15-81	0.7	1.7/1.5	4.7/3.6	
		3	125-729	0.9	2.0/1.8	5.3/4.0	
Mounting Position	-	1,2,3	3-729	Any direction			
Noise Level ²	dBA/1m	1,2,3	3-729	≤ 62	≤ 64	≤ 67	
Protection Class	-	1,2,3	3-729	IP64			
Lubrication	-	1,2,3	3-729	Synthetic Lubricant			

* 1. Applied to the output shaft center @100rpm.

* 2. Measured at 3000rpm with no load

※ The above figures/specifications are subject to change without prior notice.

Products due to human error, natural disasters or other factors lead to poor or damaged, will not be covered under warranty.

