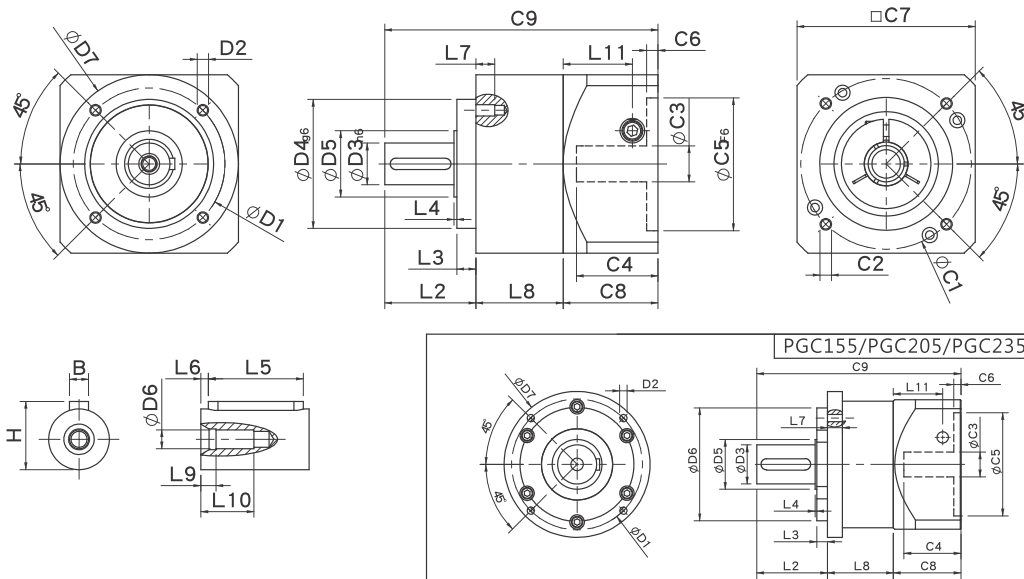


PGC Single Stage Dimensions



Unit:mm

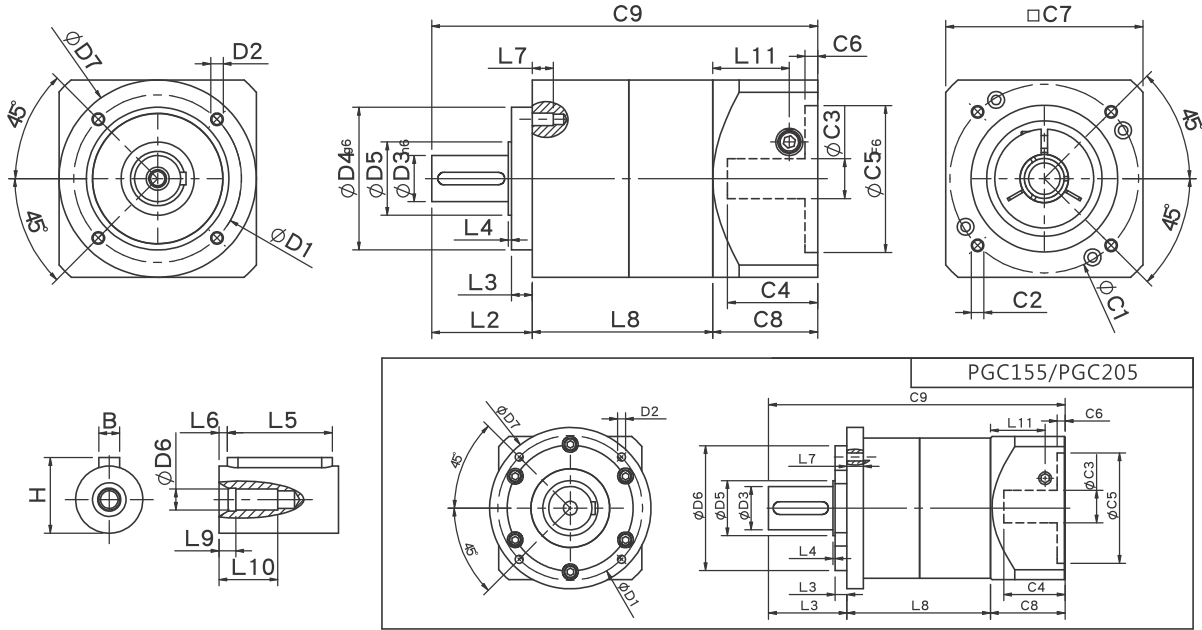
Dimensions	PGC50	PGC70	PGC90	PGC120	PGC155	PGC205	PGC235
D1	44	62	80	108	140	184	210
D2	M4x0.7P	M5x0.8P	M6x1.0P	M8x1.25P	M10x1.5P	M12x1.75P	M16x2.0P
D3 h6	13	16	22	32	40	55	75
D4 g6	35	52	68	90	120	160	180
D5	15	25	35	45	50	70	90
D6	M4x0.7P	M5x0.8P	M8x1.25P	M12x1.75P	M16x2.0P	M20x2.5P	M20x2.5P
D7	50	70	94	120	155	205	235
L2	24.5	35	48	60	93	99.5	126
L3	4	5	10	6	8	15	18
L4	1.5	1.5	1.5	3	6	2.5	3
L5	15	25	32	40	60	70	90
L6	2	2	3	5	5	6	7
L7	8	10	10	15	18	21	32
L8	30	38	46	61	79	92.5	129.5
L9	4	4	4.5	6	6	8	7
L10	14	16.5	20.5	30	38	48	42
L11	24.4	31.5	36.5	42	63	69.5	102.2
C1 ²	46	70	90	115	145	200	235
C2 ²	M4x0.7P	M5x0.8P	M6x1.0P	M8x1.25P	M8x1.25P	M12x1.75P	M12x1.75P
C3 ²	≤8	≤14	≤19/≤24	≤24/≤28	≤35	≤50	≤55
C4 ²	27	35	43	58	66	82	98
C5 ² _{F6}	30	50	70	95	110	114.3	200
C6 ²	4	5	5	8	6	13	12
C7 ²	50	70	94	120	140	182	220
C8 ²	38.5	46	55	63	80	95	130
C9 ²	93	119	149	184	252	287	385.5
B	5	5	6	10	12	16	20
H	15	18	24.5	35	43	59	79.5

* C1~C9 are motor specific dimensions(metric std shown), Size may vary according to the motor flange chosen.

* Specification subject to change without notice.



PGC Double Stage Dimensions-1



Unit:mm

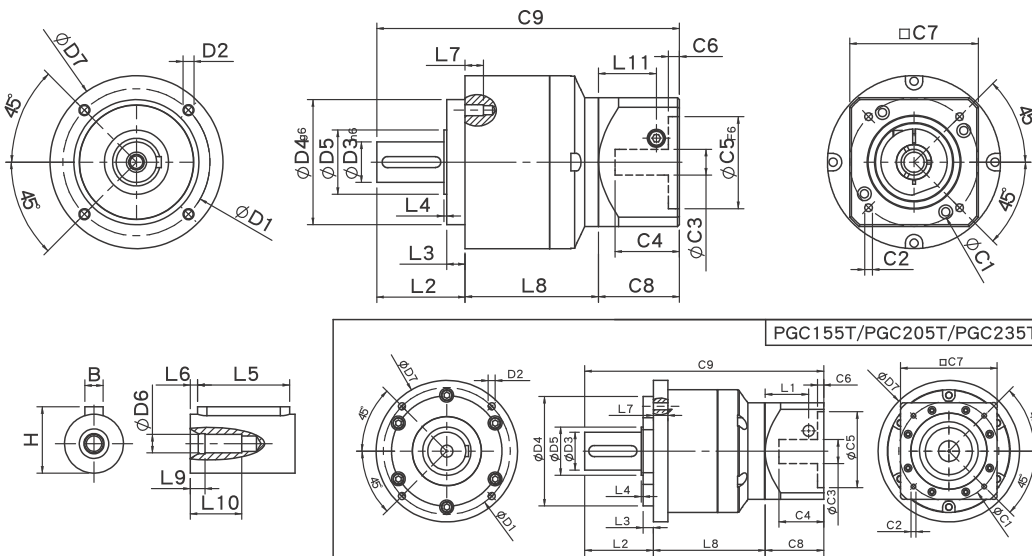
Dimensions	PGC50	PGC70	PGC90	PGC120	PGC155	PGC205
D1	44	62	80	108	140	184
D2	M4x0.7P	M5x0.8P	M6x1.0P	M8x1.25P	M8x1.5P	M12x1.75P
D3 _{h6}	13	16	22	32	40	55
D4 _{g6}	35	52	68	90	120	160
D5	15	25	35	45	50	70
D6	M4x0.7P	M5x0.8P	M8x1.25P	M12x1.75P	M16x2.0P	M20x2.5P
D7	50	70	94	120	155	205
L2	24.5	35	48	60	93	99.5
L3	4	5	10	6	8	15
L4	1.5	1.5	1.5	3	6	2.5
L5	15	25	32	40	60	70
L6	2	2	3	5	5	6
L7	8	10	10	15	18	21
L8	56	66	86	109	140	182.5
L9	4	4	4.5	6	6	8
L10	14	16.5	20.5	30	38	48
L11	24.4	31.5	36.5	42	63	69.5
C1 ²	46	70	90	115	145	200
C2 ²	M4x0.7P	M5x0.8P	M6x1.0P	M8x1.25P	M8x1.25P	M12x1.75P
C3 ²	≤8	≤14	≤19/≤24	≤24/≤28	≤35	≤50
C4 ²	27	35	43	58	66	82
C5 ² _{F6}	30	50	70	95	110	114.3
C6 ²	4	5	5	8	6	13
C7 ²	50	70	94	120	140	182
C8 ²	38.5	46	55	63	80	95
C9 ²	119	147	189	232	313	377
B	5	5	6	10	12	16
H	15	18	24.5	35	43	59

* C1~C9 are motor specific dimensions(metric std shown), Size may vary according to the motor flange chosen.

* Specification subject to change without notice.



PGC Double Stage Dimensions-2



Unit:mm

Dimensions	PGC70T	PGC90T	PGC120T	PGC155T	PGC205T	PGC235T
D1	62	80	108	140	184	210
D2	M5x0.8P	M6x1.0P	M8x1.25P	M10x1.5P	M12x1.75P	M16x2.0P
D3 _{h6}	16	22	32	40	55	75
D4 _{g6}	52	68	90	120	160	180
D5	25	35	45	50	70	90
D6	M5x0.8P	M8x1.25P	M12x1.75P	M16x2.0P	M20x2.5P	M20x2.5P
D7	70	94	120	155	205	235
L2	35	48	60	93	99.5	126
L3	5	10	6	8	15	18
L4	1.5	1.5	3	6	2.5	3
L5	25	32.5	40	60	70	90
L6	2	3	5	5	6	7
L7	10	10	15	18	21	32
L8	60.8	70.5	99.4	127	162	211.5
L9	4	4.5	6	6	8	7
L10	16.5	20.5	30	38	48	42
L11	29	35.5	40.5	42	63	69.5
C1 ²	66.67	70	90	115	145	200
C2 ²	M5x0.8P	M5x0.8P	M6x1.0P	M8x1.25P	M8x1.25P	M12x1.75P
C3 ²	≤8	≤14	≤19/≤24	≤24/≤28	≤35	≤50
C4 ²	27	41	47.75	58	66	82
C5 ² _{F6}	38.1	50	70	95	110	114.3
C6 ²	4	8	6	8	6	13
C7 ²	60	70	94	120	140	182
C8 ²	38.5	50	55	63	80	95
C9 ²	134.3	170.5	214.4	283	341.5	432.5
B	5	6	10	12	16	20
H	18	24.5	35	43	59	79.5

* C1~C9 are motor specific dimensions(metric std shown), Size may vary according to the motor flange chosen.

* Specification subject to change without notice.



PGC Specifications Table

Specifications		Stage	Ratio	PGC-50	PGC-70	PGC-90	PGC-120	PGC-155	PGC-205	PGC-235	
Nominal Output Torque T_{2N}	N • m	1	3	13.8	44.2	95.2	283	482	1151	1670	
			4	11.9	35.9	74.6	249	490	1055	1574	
			5	13.8	43.0	95.2	283	473	1151	1670	
			7	11.9	36.0	85.6	219	400	1055	1574	
				10	10.1	25.0	75.0	210	320	763	1184
		Stage	Ratio	PGC-50	PGC-70(T)	PGC-90(T)	PGC-120(T)	PGC-155(T)	PGC-205(T)	PGC-235T	
		2	15	13.8	44.2	95.2	283	482	1151	1670	
			20	11.9	35.9	74.6	249	490	1055	1574	
			25	13.8	43.0	95.2	283	473	1151	1670	
			30	13.8	43.0	95.2	283	473	1151	1670	
			35	13.8	43.0	95.2	283	473	1151	1670	
			40	13.8	43.0	95.2	283	473	1151	1670	
			50	13.8	43.0	95.2	283	473	1151	1670	
			70	11.9	36.0	85.6	219	400	1055	1574	
100	10.1	25.0	75.0	210	320	763	1184				
Emergency Stop Torque T_{2NOT}	N • m		3.0 times of Nominal Output Torque (*Max. Output Torque T_{2B} = 60% of Emergency Stop Torque)								
Nominal Input Speed n_{1N}	rpm	1,2	3-100	3000	3000	3000	2500	2000	2000	2000	
Max. Input Speed n_{1max}	rpm	1,2	3-100	6000	6000	6000	5000	4000	4000	4000	
Micro Backlash P0	arcmin	1	3-10	-	-	-	≤ 3	≤ 3	≤ 3	≤ 3	
		2	12-100	-	-	-	≤ 5	≤ 5	≤ 5	≤ 5	
Precision Backlash P1	arcmin	1	3-10	-	≤ 6	≤ 6	≤ 5	≤ 5	≤ 5	≤ 5	
		2	12-100	-	≤ 9	≤ 9	≤ 7	≤ 7	≤ 7	≤ 7	
Standard Backlash P2	arcmin	1	3-10	≤ 12	≤ 9	≤ 9	≤ 7	≤ 7	≤ 7	≤ 7	
		2	12-100	≤ 15	≤ 12	≤ 12	≤ 9	≤ 9	≤ 9	≤ 9	
Torsional Rigidity	N • m / arcmin	1,2	3-100	1.0	2.8	7.5	15.5	30	57	110	
Max. Radial Load F_{2RB}^1	N	1,2	3-100	350	960	1630	3380	6150	7260	11120	
Max. Axial Load F_{2aB}^1	N	1,2	3-100	320	900	1420	2930	5510	5550	8560	
Operating Temp.	°C		3-100	-10 °C ~ +90 °C							
Service Life	hr		3-100	20,000 (10,000/ Continuous operation)							
Efficiency	%	1	3-10	≥ 96%							
		2	12-100	≥ 92%							
Weight	kg	1	3-10	0.7	1.4	3.0	7.3	15.6	26	56	
		2	12-100	0.9	2.2/1.7	5.0/3.4	11.5/8.5	20.7/17.2	36/31	80/62	
Mounting Position	-	1,2	3-100	Any direction							
Noise Level ²	dB(A)/1m	1,2	3-100	60	62	65	65	70	70	75	
Protection Class	-	1,2	3-100	IP65							
Lubrication	-	1,2	3-100	Synthetic Lubricant							
Inertia(J1)											
Stage	Ratio	unit	PGC-50	PGC-70	PGC-90	PGC-120	PGC-155	PGC-205	PGC-235		
1	3	Kg • cm ²	0.03	0.20	0.81	2.20	7.89	25.2	77.9		
	4		0.02	0.16	0.65	1.80	5.83	19.8	56.5		
	5		0.02	0.15	0.62	1.61	5.38	18.3	53.3		
	7		0.02	0.14	0.60	1.55	5.22	17.8	53.0		
	10		0.02	0.14	0.60	1.53	5.20	17.6	52.9		
Stage	Ratio	PGC-50	PGC-70(T)	PGC-90(T)	PGC-120(T)	PGC-155(T)	PGC-205(T)	PGC-235T			
2	15/20/25	0.02	0.15(0.02)	0.62(0.15)	1.61(0.62)	5.38(1.61)	18.3(5.38)	53.9(18.3)			
	30/35/40	0.02	0.14(0.02)	0.60(0.14)	1.55(0.60)	5.22(1.55)	17.8(5.22)	53.0(17.8)			
	50/70/100	0.02	0.14(0.02)	0.60(0.14)	1.53(0.60)	5.20(1.53)	17.6(5.20)	52.9(17.6)			

* 1. Applied to the output shaft center @100rpm. * 2. Measured at 3000rpm with no load

* 3. PGL60T - □□ - P1, PGL90T - □□ - P1, and PGL115T - □□ - P0, are not applicable.

※ The above figures/specifications are subject to change without prior notice.

Products due to human error, natural disasters or other factors lead to poor or damaged, will not be covered under warranty.



تلفن : (021) 33913364 - 33951660

فکس : (021) 33985603