

technical datasheet

High-Pressure tube 8.75 x 4.1

1. marking

high-pressure tube DN 4 | Part-No.: 20037868

2. material

inner tube: Thermopl. Polyamid 6
hull: Thermopl. Polyurethan

		inner tube	hull
tear resistance	DIN EN ISO 527	> 30 N/mm ²	> 18 N/mm ²
elongation at break	DIN EN ISO 527	> 50 %	> 380 %
shore	DIN EN ISO 868	D 60+/- 3	A 88 +/- 3

3. service temperature: - 30° ... + 80 °C

using grease with anticorrosive additives: max. +60 °C

4. pressure reinforced / compressive resistance / bending radius

bursting pressure (EN ISO 1402 pressure restoration: 60 s)

20°C	60°C
> 800 bar	> 450 bar
> 20 mm	> 45 mm

reinforcement (diagonal) by high-strength polyester, clued with inner tube.

5. dimensions and tolerances [mm]

nominal size	4.0 x 8.6 d (inner diameter x external diameter)
inner diameter	3.90 - 4.10
external diameter	8.50 □ 8.75
excentricity of section thickness	max. 0.40

6. color

inner tube	natural
hull	black
reinforced	white
clue	green
label	white



technical datasheet

High-Pressure tube 8.75 x 4.1 & fittings

It is possible to use FlexxPump 400 / 500 for re-lubrication and the high-pressure tube. For hydraulically connection between FlexxPump and the lubrication-points (e.g. PU-Pinions on Mounting-Axes or linear guide blocks) we offer special parts.

Assembly at FlexxPump



bellow 400 cc; pre-filled with grease; shown type: grease DLS F03 (Part-No.: 000-103-104)

FlexxPump 400; shown type: FlexxPump 402 DLS; pulse-driven and monitored by PLC; 24 VDC; 2 outlets (Part-No.: 135-240-210)

standard outlet of FlexxPump for tube 6x4

short piece of tube 6x4; pre-filled with grease; min. 45mm

reinforcing sleeve for tube 6x4 (Part-No.: 20037889); assembled inside of tube 6x4

compression type mechanical joint (Part-No.: 20037886)

pipe socket straight (Part-No.: 20037866) *alternative:* pipe socket 90° (Part-No.: 20037867)

threaded bush (Part-No.: 20037865)

high-pressure tube 8.75 x 4.1 (Part-No.: 20037868)

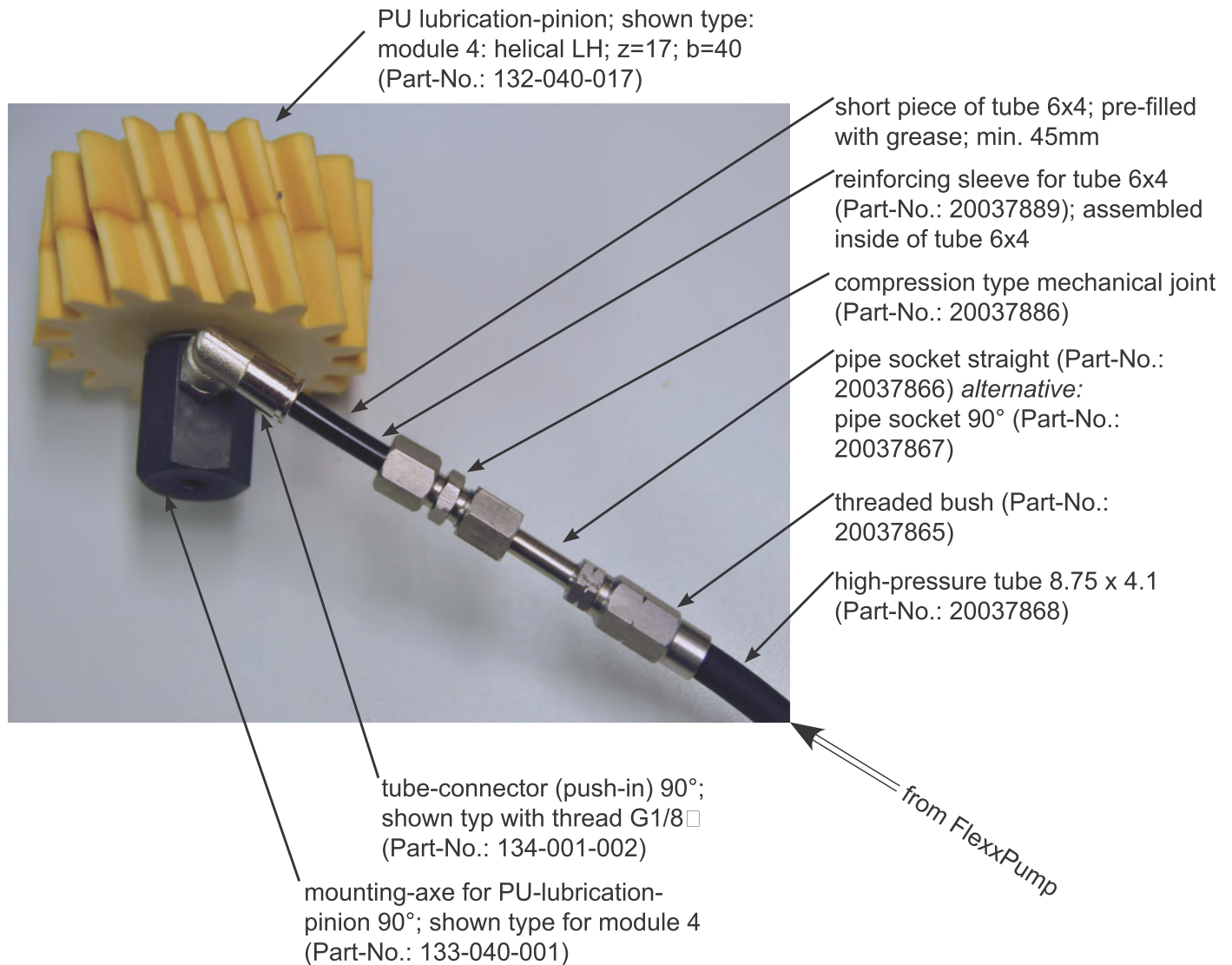
to lubrication-point



technical datasheet

High-Pressure tube 8.75 x 4.1 rings

Assembly at lubrication-point (shown: PU lubrication-pinion)

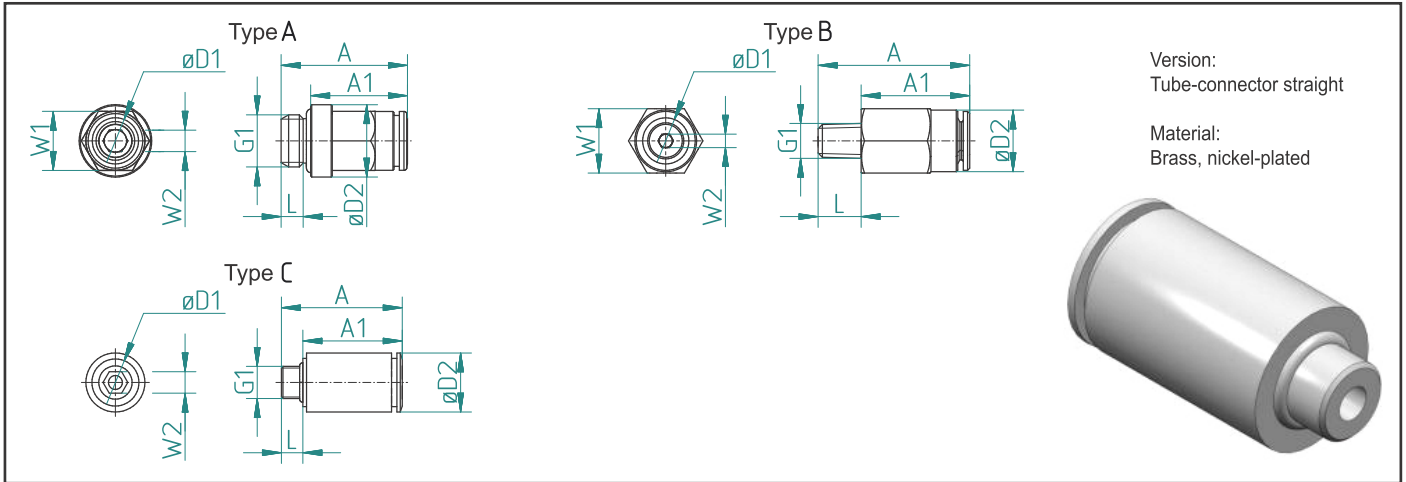


For further information see our technical informations and technical datasheets, please:

- technical datasheet high-pressure-tube 8.75 x 4.1
- technical information pipe socket and threaded bush



6.1 Tube-connectors straight



Typ Type	D1	D2	A	A1	G1	L	Form G1	W1	W2	Artikel-Nr.
							Profile G1			Part-No.
C	6	11	22,5	18,5	M6	4	DIN 13-1	-	2,5	134-000-001
A	6	13,5	24	18,5	G1/8	5	ISO 228-1	11	4	134-000-002
A	6	12	26	18	R1/8 BSPT	8	DIN 2999-5	13	4	134-000-003
A	6	17	24	16	G1/4	8	ISO 228-1	11	4	134-000-004
B	6	11	25,8	17,8	M8x1	8	DIN 158-1	11	4	134-000-005
C	4	9	23,5	16,5	M6	7	DIN 13-1	-	2,5	134-000-006
A	8	11	26,5	20,5	G1/8	6	ISO 228-1	13	5	134-000-008
C	4	9	23,5	16,5	M6x0,75	5	DIN 13-2	-	2,5	134-000-009
C	6	11	22,5	17,8	M6x0,75	5	DIN 13-2	-	2,5	134-000-010
A	6	13,5	24	18	M10x1	6	DIN 13-3	11	4	134-000-011
A	4	13,5	24	18	G1/8	5	ISO 228-1	9	2,5	134-000-012
B	6	11,5	28,2	20	M6	8	DIN 158-1	12	2,5	134-000-014
C	6	11	22,5	17,8	M5	4	DIN 13-1	-	2,5	134-000-015
C	4	9	20,5	16,5	M5	4	DIN 13-1	-	2,5	134-000-016
C	4	9	21,3	16,3	M3	5	DIN 13-1	-	1,5	134-000-017
A	8	17	23,5	17	G1/4	6,5	ISO 228-1	13	6	134-000-018
A	8	13	26,5	20,5	M10x1	6	DIN 13-2	13	5	134-000-019

Notes:

Application: connection between lubrication points and plastic tubes from FlexxPump.

Technical data:

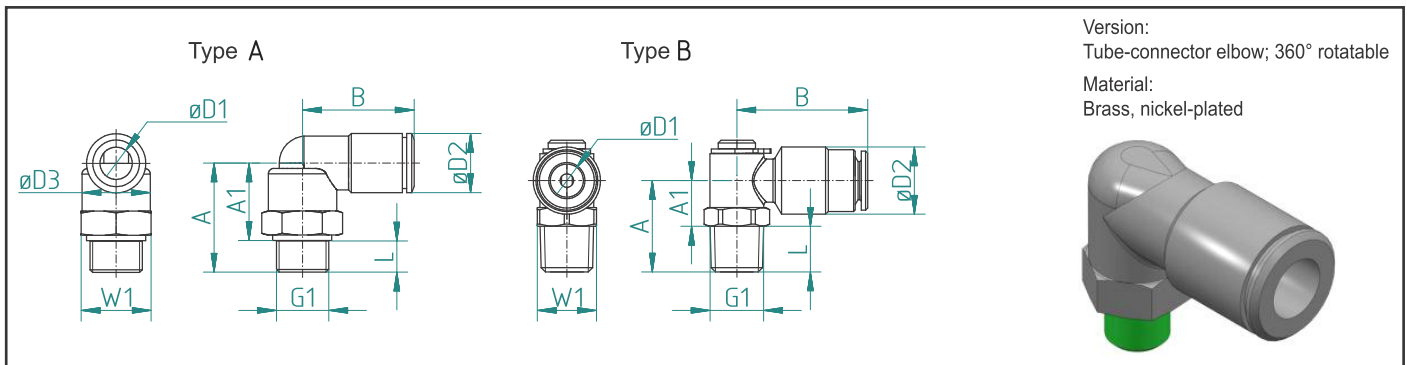
- working pressure	max. 80 bar
- working temperature	-30° C...+100° C
- fluid	oil, grease
- material	nickel-plated brass 58, NBR, stainless steel

Features:

- full flow for the fluid
- very simple seal function through integrated O-rings with own seat
- can be inserted and extracted
- all straight connectors with integrated hexagon socket
- all rotary elbow male adaptors can be rotated under pressure



6.2 Tube-connectors 90° right-angled



Version:
Tube-connector elbow; 360° rotatable
Material:
Brass, nickel-plated

Type	D1	D2	A	A1	B	G1	L	Form G1	W1	Artikel-Nr.
Type								Profile G1		Part-No.
A	6	11	15,5	10,5	20,5	M6	5	DIN 13-1	9	134-001-001
A	6	11	20,3	14,4	20,8	G1/8	5,9	ISO 228-1	13	134-001-002
A	6	11	20,3	14,4	20,8	M10x1	5,9	DIN 13-2	13	134-001-006
A	4	9	15,8	10,8	17,2	M6	5	DIN 13-1	9	134-001-007
A	6	11	24	16	21,5	G1/4	7	ISO 228-1	13	134-001-009
B	6	11	17,8	11	17,2	M8x1	6,8	DIN 13-2	9	134-001-010
A	4	9	15,8	10,8	18	M6x0,75	5	DIN 13-2	9	134-001-011
A	6	11	15,8	10,8	20,8	M6x0,75	5	DIN 13-2	9	134-001-012
B	6	11	16,5	8,5	24,3	M6	8	DIN 13-1	11	134-001-014
B	6	11,5	17	8,5	24,3	R1/8	8,5	DIN 2999-5	11	134-001-016
A	6	11	24	18	20,5	M10x1	6	DIN 13-2	13	134-001-017
A	4	9	14,8	8,9	20	G1/8	5,9	ISO 228-1	13	134-001-018
A	6	11	14,8	10,8	21	M5	4	DIN 13-1	9	134-001-019
A	4	9	14,8	10,8	18	M5	4	DIN 13-1	9	134-001-020
A	4	9,1	16	11	18,2	M3	5	DIN 13-1	6	134-001-021
A	8	13	23,3	16,8	23,5	G1/4	6,5	ISO 228-1	13	134-001-022
A	8	13	24,5	18,5	23,5	M10x1	6	DIN 13-2	13	134-001-023
A	8	13	20,3	14,3	24	G1/8	6	ISO 228-1	13	134-001-024

Notes:

Application: connection between lubrication points and plastic tubes from FlexxPump.

Technical data:

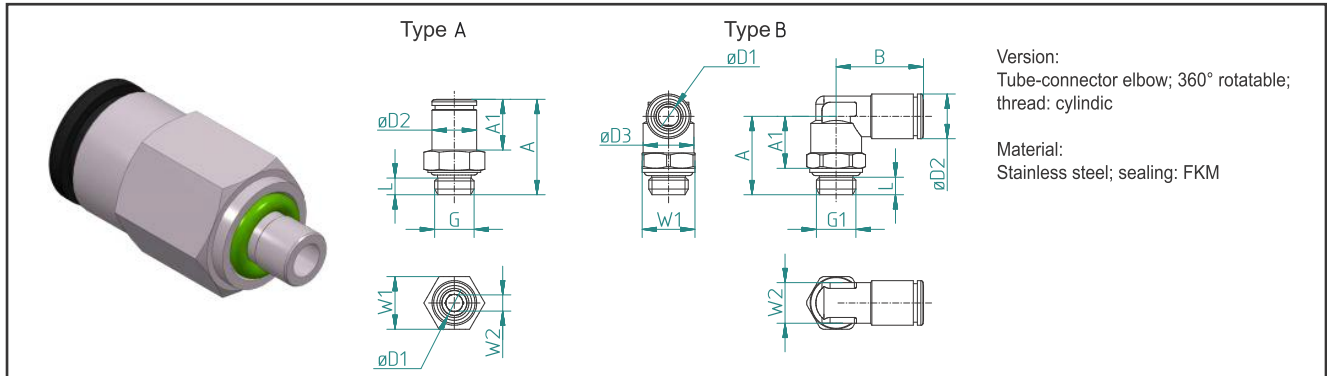
- working pressure	max. 80 bar
- working temperature	-30° C...+100° C
- fluid	oil, grease
- material	nickel-plated brass, NBR, stainless steel

Features:

- full flow for the fluid
- very simple seal function through integrated O-rings with own seat
- can be inserted and extracted
- all straight connectors with integrated hexagon socket
- all rotary elbow male adaptors can be rotated under pressure

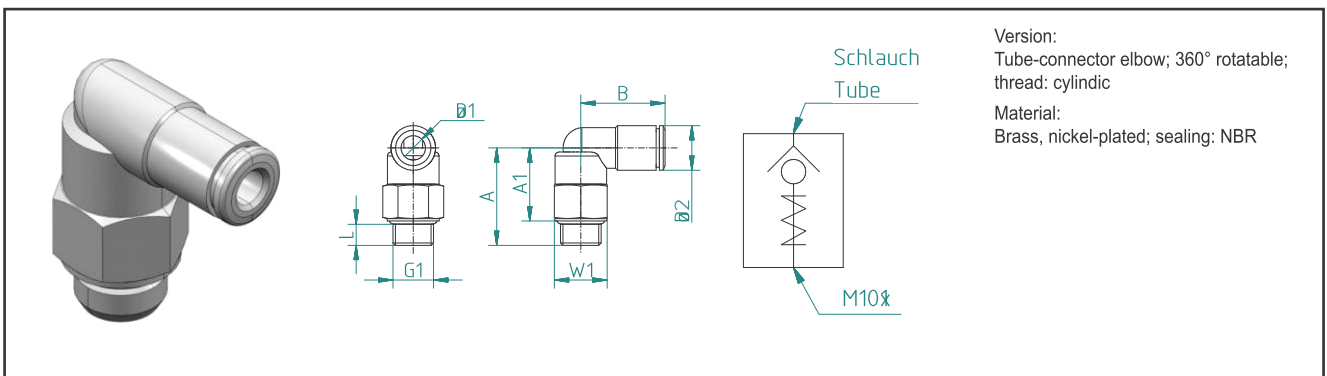


6.3 Tube-connectors - stainless steel



Typ	D1	D2	A	A1	B	G1	L	W1	W2	Artikel-Nr.
Type										Part-No.
A	4	9	20,5	7	-	M5	4	9	2,5	134-000-901
A	4	9	19	9	-	G1/8	5,5	13	3	134-000-902
A	6	11	22,5	17,5	-	M5	4	-	2,5	134-000-904
A	6	11	23,5	12,5	-	G1/8	5,5	13	4	134-000-905
A	6	11	20	13,5	-	G1/4	6,5	16	4	134-000-906
A	8	13	26	21,5	-	G1/8	5,5	13	5	134-000-907
A	8	13	26	20,5	-	G1/4	6,5	13	5	134-000-908
B	4	9	14,8	10,8	18,2	M5	4	13	9	134-001-901
B	4	9	19,3	13,8	20	G1/8	5,5	13	10	134-001-902
B	4	9	20,5	14	20	G1/4	6,5	16	10	134-001-903
B	6	11	17,6	13,6	20,5	M5	4	9	9	134-001-904
B	6	11	19,3	13,8	21,5	G1/8	5,5	13	10	134-001-905
B	6	11	20,5	14	21,5	G1/4	6,5	16	10	134-001-906
B	8	13	19,3	14,6	23,5	G1/8	4,7	13	10	134-001-907
B	8	13	20,5	14	23,5	G1/4	6,5	16	10	134-001-908

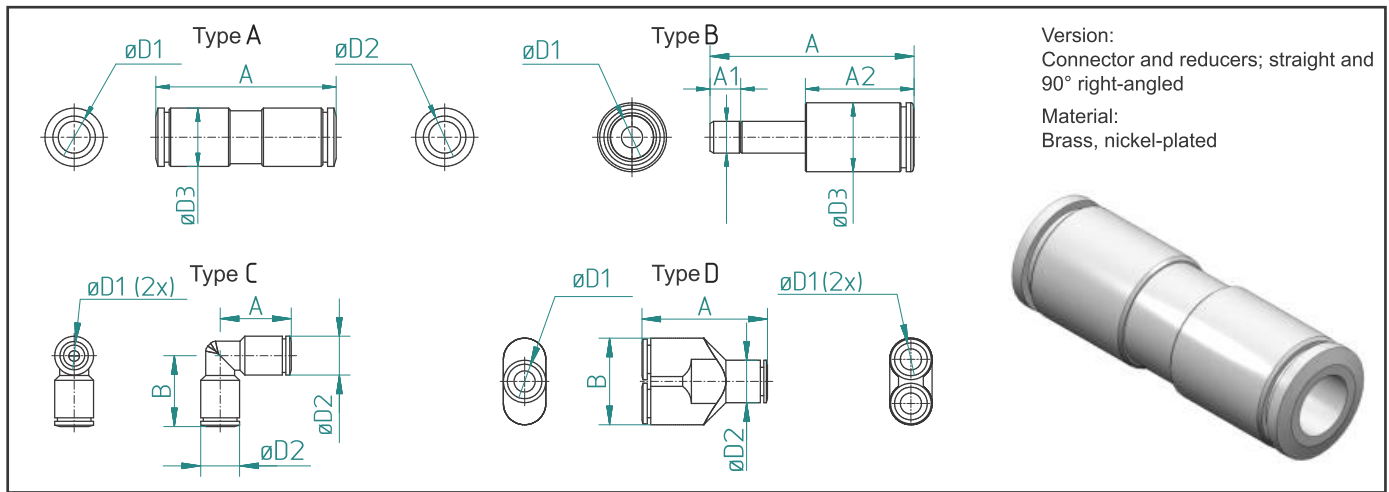
6.4 Tube-connectors - 90° right-angled with non-return valve



D1	D2	A	A1	B	G1	L	W1	Artikel-Nr.
								Part-No.
4	9	24	18	20	M10x1	5,5	13	134-001-200
6	11	24	18	20,5	M10x1	5,5	13	134-001-201
8	13	25	19	23,5	M10x1	5,5	13	134-001-202



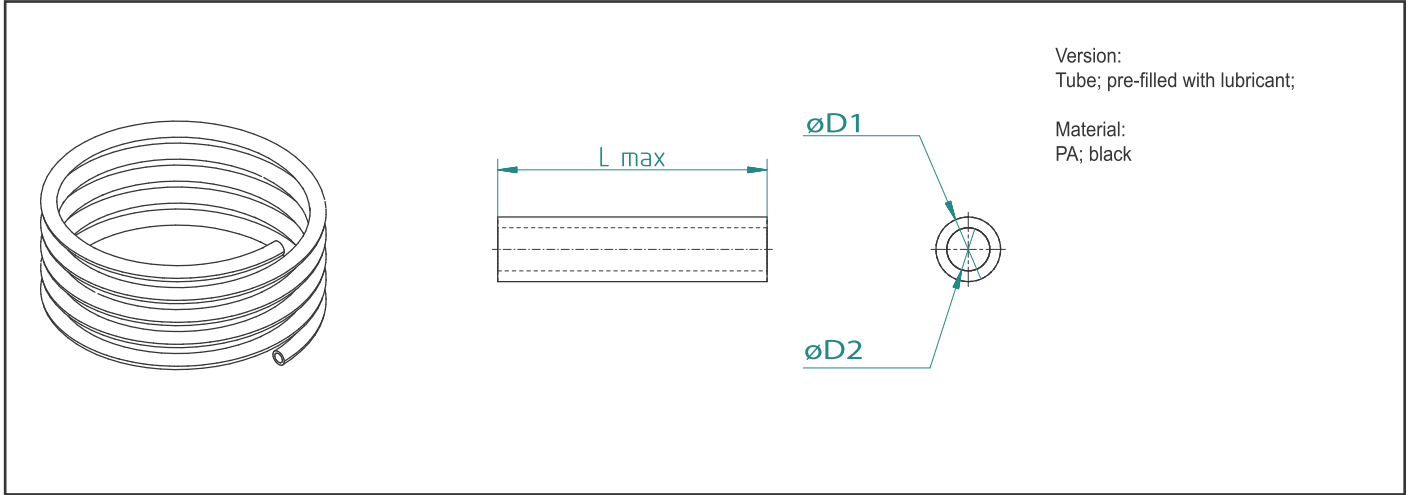
6.5 Connectors & Reductions



Typ	D1	D2	D3	A	A1	A2	B	Artikel-Nr.
Type								Part-No.
A	6	6	11	34	--	--	--	134-000-104
A	6	8	13	39	--	--	--	134-000-105
A	4	6	11	34	--	--	--	134-000-106
A	4	4	9	32	--	--	--	134-000-111
B	8	6	13	38,5	11,6	20,5	--	134-000-108
B	6	4	11	35	10,8	17,8	--	134-000-109
B	4	6	9	30,5	5,1	12,5	--	134-000-110
C	6	11	-	20,1	--	--	20,1	134-001-104
C	4	9	-	17,5	--	--	17,5	134-001-106
D	6	12	-	35,5	--	--	24,5	134-002-000
D	8	14	-	37,9	--	--	28,5	134-002-023



7.13 Tubes



Schmierstoff	D1	D2	L max.	Hinweise	Artikel-Nr.
Lubricant				Notes	Part-No.
F01	6	4	10000	black; per meter; L max. means maximum length per unit	134-003-001
	8	5	10000		134-008-001
F02	6	4	5000		134-003-002
	8	5	5000		134-008-002
F03	4	2,5	5000		102-011-013
	6	4	10000		134-003-003
	8	5	10000		134-008-003
F04	6	4	5000		134-003-004
	8	5	5000		134-008-004
* F05	6	4	5000		134-003-005
	8	5	5000		134-008-005
* F06	6	4	5000		134-003-006
	8	5	5000		134-008-006
* F07	6	4	10000		134-003-007
	8	5	10000		134-008-007
* F08	6	4	10000		134-003-008
	8	5	10000		134-008-008
* F09	6	4	10000		134-003-009
	8	5	10000		134-008-009
* F10	6	4	5000		134-003-010
	8	5	10000	134-008-010	
* F11	6	4	10000	134-003-011	
	8	5	10000	134-008-011	
empty	4	2,5	25000	black; per meter	134-004-003
	6	3	50000	transparent; per meter; only oil	134-004-002
	6	4	50000	black; per meter	134-004-001
	6	4	50000	black; per meter	200373791
	8	5	50000	black; per meter	134-004-005

* به صورت سفارشی قابل تحویل می باشد

