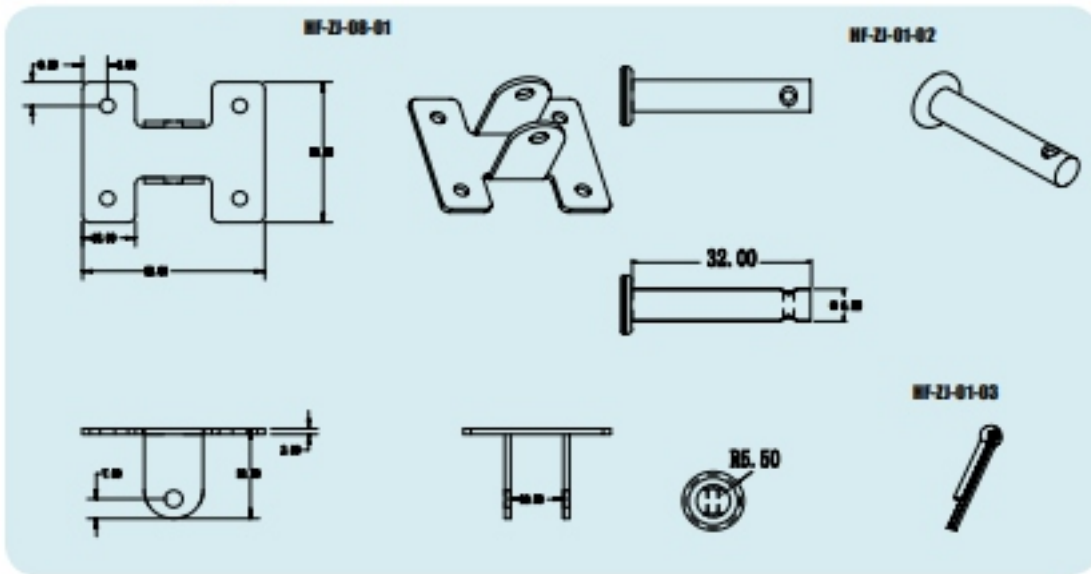


## HF-ZJ-08

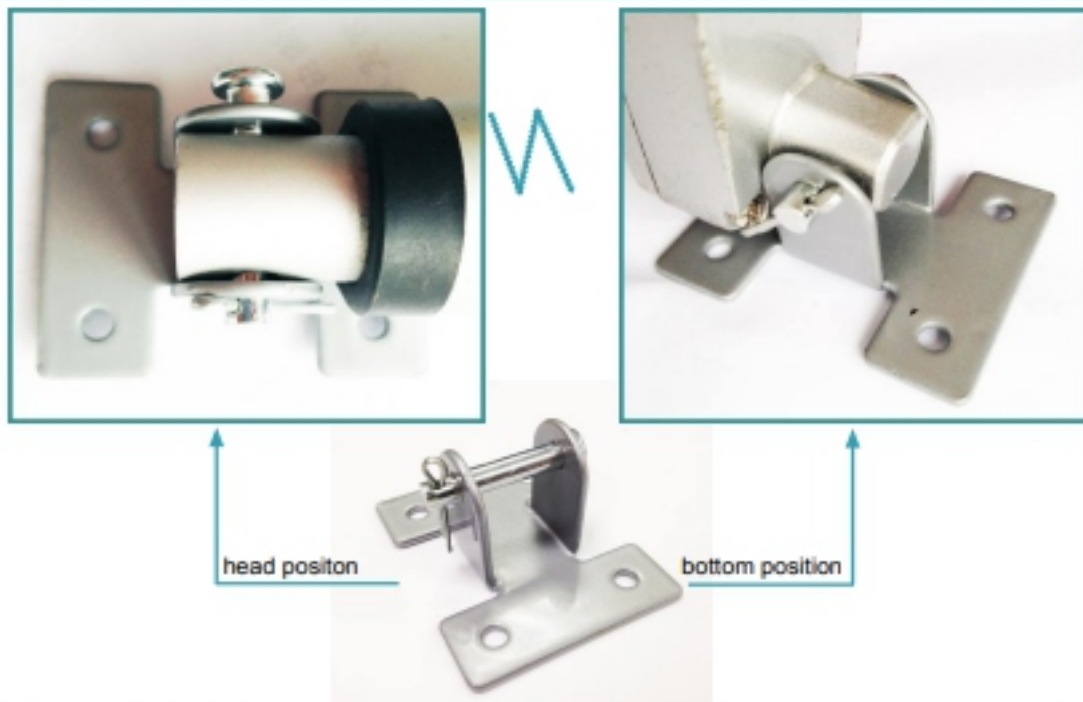
### Product introduction

A3 material; stamping article; PE coated; 2MM thick; could bearing 1200N pull or press force; Equiped with  $\phi 6$ MM screw and open pin. The bracket could simplify actuators' mounting way by changing the hole mounting into surface mounting. It suits for TGA, TGA-DW, TGA-A, TGA-B, TGA-A-DW, TGE series.

### Product drawings



### mounting way



### Order illustration

You could directly order this bracket through its model NO.HF-ZJ-08. Should  $\phi 6$ mm through hole be made on pushrod if needing to mount it on electric linear actuator. This bracket set is default accessories that contains HF-ZJ-08-01, one HF-ZJ-01-02 and one HF-ZJ-01-03.