

842

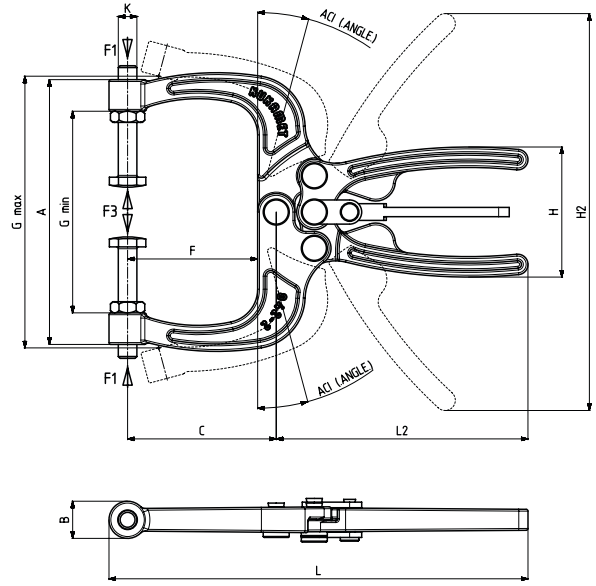
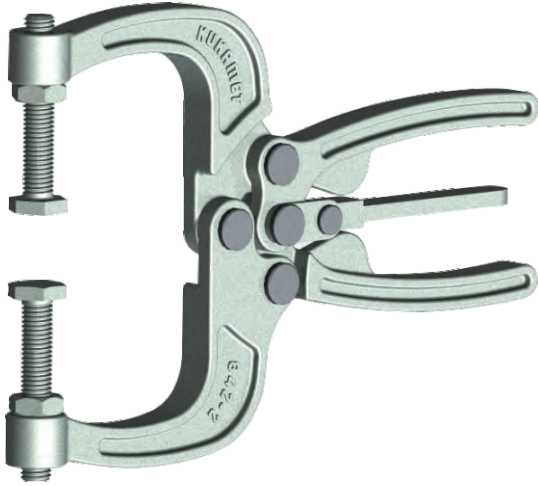


new

## Squeezing Type Toggle Clamps

MODEL NO	F1 (N)	F3 (N)	F1	(ANGLE)	(WEIGHT) (gr)
			VERIM (YIELD) (F1:F1)		
842-2	3500	4000	9:1	15°	900

F1 : BASKI KUVVETI ( EXERTING FORCE ), F3 : TUTMA KAPASITESI ( HOLDING CAPACITY ),  
F1 : UYGULAMA KUVVETI ( APPLIED FORCE )



Body Mounting Base Horizontal

### Product Features;

- The products are strong and suited for heavy duty applications.
- The clamping jaw and handle is made of hot forged steel.
- The remaining parts are made of galvanized steel for corrosion resistance.



MODEL NO	A	B	C	D	E	F	G min.	G max.	H	H2	J	K	L	L2	M	N
842-2	143	20	80			70	108	148	70	215		M10	230	140		



تلفن : (021) 33913364 - 33951660

فکس : (021) 33985603