

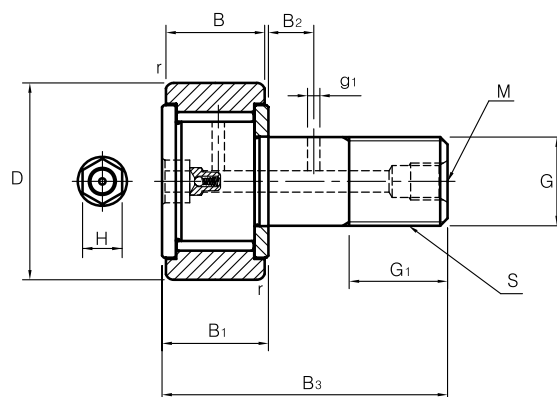
We take great pride in developing and manufacturing our bearings for ourselves.

STUD TYPE TRACK ROLLERS

FULL COMPLEMENT OF NEEDLE ROLLER
METRIC DIMENSION



CF..V



CF..V

(Stud diameter) G mm	(Bearing No.)				(Mass) gr.	(Dimensions) mm		
	(Unsealed)		(Sealed)			H	D	(Thread sizes) S
	(Cylindrical outer ring)	(Crowned outer ring)	(Cylindrical outer ring)	(Crowned outer ring)				
	CF..V	CF..VR	CF..VUU	CF..VUUR				
3	CF 3V	CF 3VR	CF 3VUU	CF 3VUUR	5	2	10	M 3×0.5
4	CF 4V	CF 4VR	CF 4VUU	CF 4VUUR	8	2.5	12	M 4×0.7
5	CF 5V	CF 5VR	CF 5VUU	CF 5VUUR	11	3	13	M 5×0.8
6	CF 6V	CF 6VR	CF 6VUU	CF 6VUUR	19	3	16	M 6×1.0
8	CF 8V	CF 8VR	CF 8VUU	CF 8VUUR	29	4	19	M 8×1.25
10	CFA 10V	CFA 10VR	CFA 10VUU	CFA 10VUUR	46	4	22	M10×1.0
	CFA 10-1V	CFA 10-1VR	CFA 10-1VUU	CFA 10-1VUUR	61		26	
10	CF 10V	CF 10VR	CF 10VUU	CF 10VUUR	46	4	22	M10×1.25
	CF 10-1V	CF 10-1VR	CF 10-1VUU	CF 10-1VUUR	61		26	
12	CF 12V	CF 12VR	CF 12VUU	CF 12VUUR	97	6	30	M12×1.5
	CF 12-1V	CF 12-1VR	CF 12-1VUU	CF 12-1VUUR	107		32	
16	CF 16V	CF 16VR	CF 16VUU	CF 16VUUR	173	6	35	M16×1.5
18	CF 18V	CF 18VR	CF 18VUU	CF 18VUUR	255	10	40	M18×1.5
20	CF 20V	CF 20VR	CF 20VUU	CF 20VUUR	465	10	52	M20×1.5
	CF 20-1V	CF 20-1VR	CF 20-1VUU	CF 20-1VUUR	390		47	
24	CF 24V	CF 24VR	CF 24VUU	CF 24VUUR	820	12	62	M24×1.5
	CF 24-1V	CF 24-1VR	CF 24-1VUU	CF 24-1VUUR	1,140		72	
30	CF 30V	CF 30VR	CF 30VUU	CF 30VUUR	1,870	12	80	M30×1.5
	CF 30-1V	CF 30-1VR	CF 30-1VUU	CF 30-1VUUR	2,030		85	
	CF 30-2V	CF 30-2VR	CF 30-2VUU	CF 30-2VUUR	2,220		90	

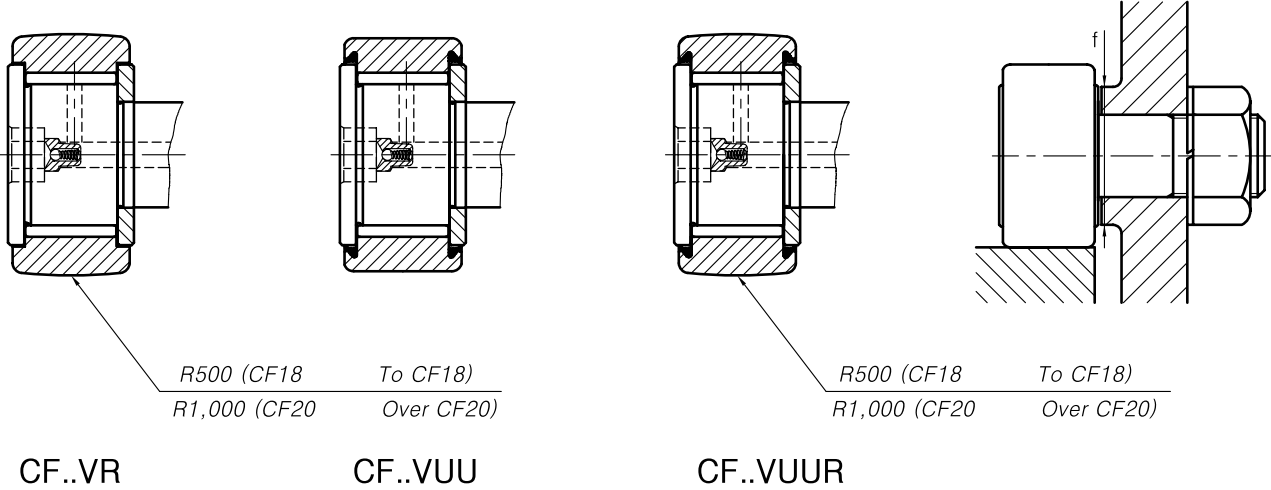
The thread size of CFA10 and CFA10-1 series are M10×1.0.

“*” These types are produced on request.



STUD TYPE TRACK ROLLERS

FULL COMPLEMENT OF NEEDLE ROLLER
METRIC DIMENSION



(Dimensions) mm								f (Minimum Clamping Diameter) mm	(Basic dynamic load ratings) C Kgf	(Basic static load ratings) Co Kgf	(Limiting speed) rpm
B	B1	B3	M	g1	G1	B2	r				
7	8	17	-	-	5	-	0.3	6.8	260	440	20,000
8	9	20	-	-	6	-	0.5	8.6	370	540	17,000
9	10	23	-	-	7.5	-	0.5	9.7	440	650	15,000
11	12	28	-	-	9	-	0.5	11	640	780	12,000
11	12	32	-	-	11	-	0.5	13	750	1,030	9,000
12	13	36	-	-	13	-	1	15	870	1,330	7,000
12	13	36	-	-	13	-	1	15	870	1,330	7,000
14	15	40	M6×1.0	3	14	6	1.5	20	1,230	1,810	6,000
18	19.5	52	M6×1.0	3	18	8	1.5	24	1,900	3,460	4,500
20	21.5	58	M6×1.0	3	20	10	1.5	26	2,320	4,720	3,500
24	25.5	66	M6×1.0	4	22	12	1.5	36	3,040	5,920	3,500
29	30.5	80	M6×1.0	4	25	12	1.5	40	4,280	8,450	3,000
35	37	100	M6×1.0	4	32	15	2	46	6,210	13,230	2,000

After assembly and oil lubrication, a hexagonal resin plug should be necessarily stopped up.

