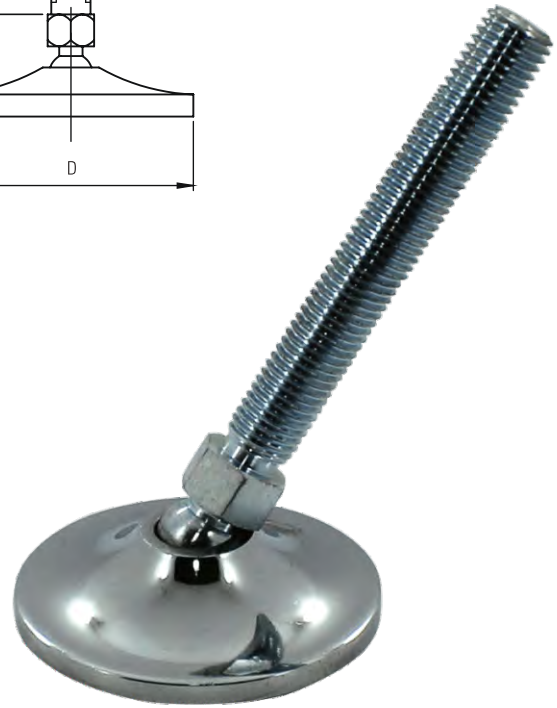
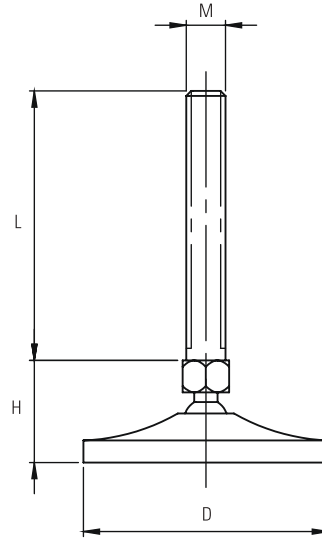


EM SERIES Chrome Plated Feet with Articulated Bolt

CODE	D (mm)	M	L (mm)	L1 (mm)	H (mm)	Load kg / pcs
EM40 0845	40	M8x45	75	45	30	100
EM40 1060	40	M10x60	90	60	30	100
EM40 1260	40	M12x60	90	60	30	100
EM60 1260	60	M12x60	90	60	30	200
EM60 1660	60	M16x60	90	60	30	200
EM80 1660	80	M16x60	100	60	40	500
EM80 1611	80	M16x110	150	110	40	500
EM80 1615	80	M16x150	190	150	40	500
EM80 2011	80	M20x110	150	110	40	600
EM100 1660	100	M16x60	100	60	40	800
EM100 1611	100	M16x110	150	110	40	800
EM100 1615	100	M16x150	190	150	40	800
EM100 1620	100	M16x200	240	200	40	800
EM100 2011	100	M20x110	150	110	40	1000
EM100 2015	100	M20x150	190	150	40	1000
EM100 2020	100	M20x200	240	200	40	1000
EM120 1611	120	M16x110	152	110	42	1200
EM120 1615	120	M16x150	192	150	42	1200
EM120 2011	120	M20x110	152	110	42	1200
EM120 2015	120	M20x150	192	150	42	1200
EM120 2020	120	M20x200	242	200	42	1200



Chrome Steel Base With Articulated Bolt

Chrome plated steel base

Articulated galvanized steel bolt

Add "L" for anti-slip pad.

