

Model	Matching Drivers
35HS01	M422
39HS02	M422
42HS03	M422
57HS09	M542
57HS13	M542
57HS22	M542
86HS35	MA860H/M880A/M542
86HS45	MA860H/M880A
86HS85	MA860H/M880A
86HS120	MA860H/M880A
110HS12	DM1182/DM2282
110HS20	DM1182/DM2282
110HS28	DM1182/DM2282
130HS27	DM1182/DM2282
130HS33	DM1182/DM2282
130HS40	DM1182/DM2282
130HS45	DM1182/DM2282
573S09	3DM580/3DM683
573S15	3DM580/3DM683
863S22	3DM683/3DM580
863S42	3DM683/3DM580
863S68H	3DM683/3DM580



35HS Series Hybrid Stepping Motors



General Specifications

Step Angle Accuracy	±5%(full step no load)
Temperature Rise	80°CMax
Ambient Temperature	-10°C — +50°C
Insulation Resistance	100MΩmin.500VDC
Dielectric Strength	500VAC for one minute
Shaft Radial Play	0.06 Max.(450g-load)
Shaft Axial Play	0.08 max.(450g-load)

Electrical Specifications

Model Number	Step Angle Degree (°)	Motor Length L inch (mm)	Holding Torque Oz-in (Nm)	Number of Leads	Phase Current (Amps)	Phase Resistance (Ohm)	Phase Inductance (mH)	Rotor Inertia Oz-in-sec ² (g.cm ²)	Detent Torque Oz-in (g.cm)	Weight Oz (kg)
35HS01	1.8	1.02 (26)	9.91 (0.07)	4	0.4	35±10%	16±20%	0.0001704 (12)	1.42 (102)	5.29 (0.15)

*Above motor is our typical model, and if you need a customization motor, please contact us.

Mechanical Specifications (Unit=mm, 1inch=25.4mm)

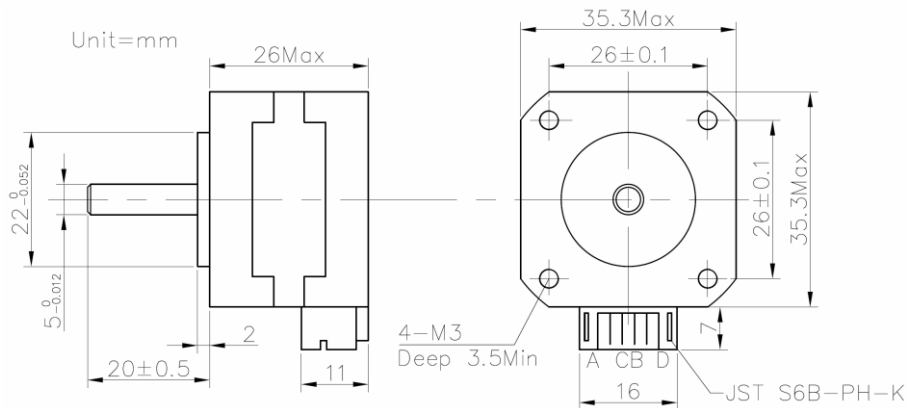


Figure 1: Mechanical specification of 35HS01

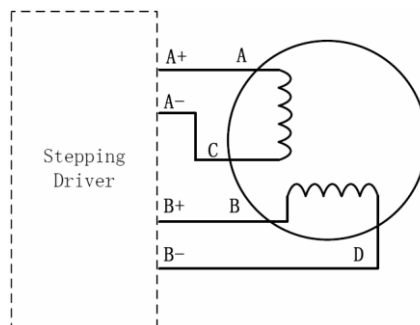


Figure 2: Wiring diagram

