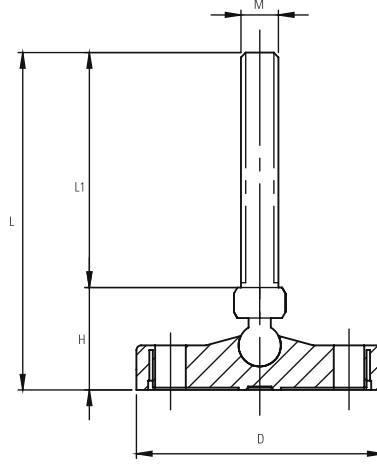


EPX SERIES Polyamide Articulated Feet with Inox Bolt (19 SW)

CODE	D (mm)	M	L (mm)	L1 (mm)	H (mm)	Load kg / pcs
EPX81 1660	81	M16x60	95	60	35	500
EPX81 1610	81	M16x100	135	100	35	500
EPX81 1615	81	M16x150	185	150	35	500
EPX81 2010	81	M20x100	135	100	35	500
EPX81 2015	81	M20x150	185	150	35	500
EPX105 1660	105	M16x60	100	60	40	600
EPX105 1610	105	M16x100	140	100	40	600
EPX105 1615	105	M16x150	190	150	40	600
EPX105 2010	105	M20x100	140	100	40	600
EPX105 2015	105	M20x150	190	150	40	600



Stainless Bolted Polyamide Feet (Floor Mount Option)

Polyamide based, articulated stainless steel bolt
Add (L) to the standard product code for the anti-slip rubber pad and (S) for the addition of nut

