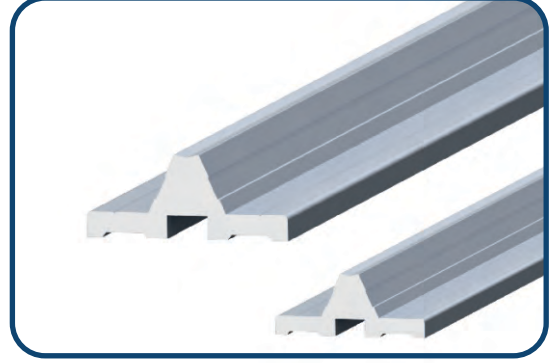
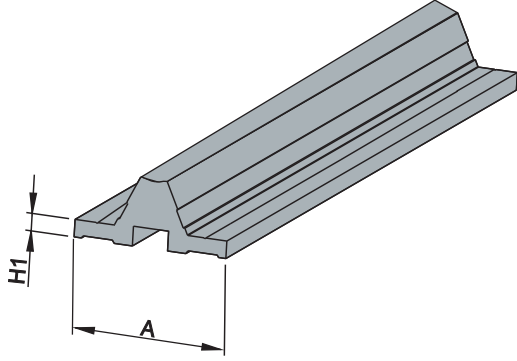


SAC



Part No.	Weight kg/m	A	H1
SAC 20	1.23	55	6
SAC 25	1.44	65	10

L(Standard) : 6050 mm



