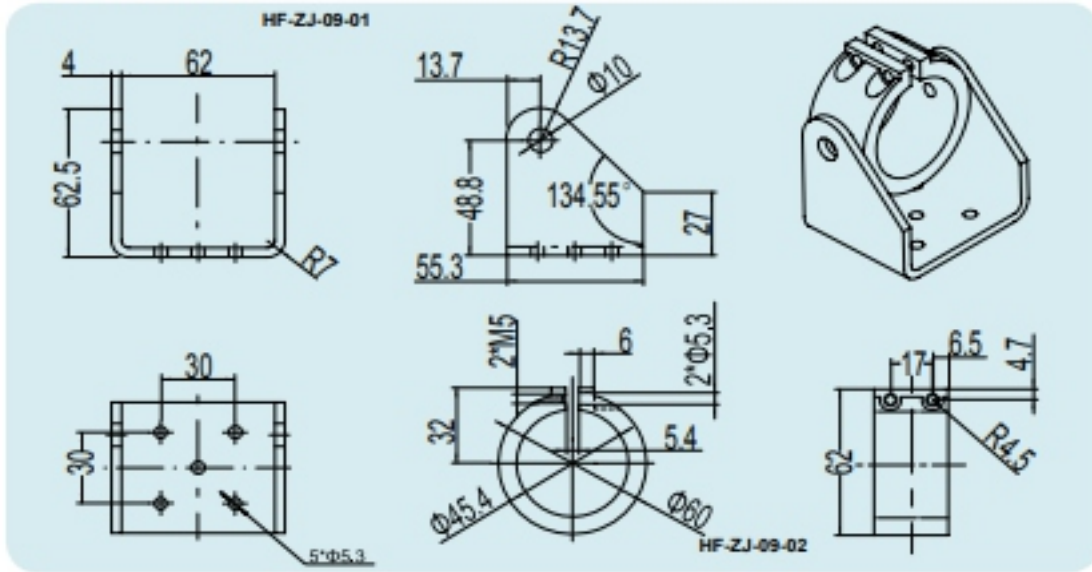


## HF-ZJ-09

### product introduction

Pure aluminium material; stamping and tensile aluminium article; min thick 4MM; Could bearing 2000N side force; This bracket is directly applied on TGE series. Hoop mounting way could efficiently shorten the installation size to reduce the difficulty of mounting electric linear actuator of TGE series on windows or other devices requiring fixed distance.

### Product drawings



### Product and mounting way



### Order illustration

You could directly order this bracket through its model NO.HF-ZJ-09. This type of bracket contains one HF-ZJ-09-01, one HF-ZJ-09-02, two M5 internal six angle screws and two M6 internal six angle screws.

