

831



Body Mounting Base Horizontal

Product Features;

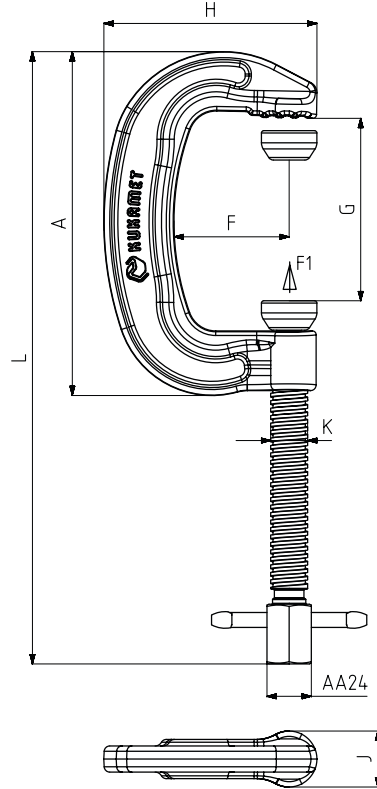
The products are strong and suited for heavy duty applications.
The clamping jaw is made of hot forged steel.
The remaining parts are made of galvanized steel for corrosion resistance.



Squeezing Type Toggle Clamps

MODEL NO	F1 (N)	(WEIGHT) (gr)
831-2	8000	1610
831-3	8000	2300

F1 : BASKI KUVVETI (EXERTING FORCE)



MODEL NO	A	F	G Min.	G Max.	H	J	K	L Min.	L Max.
831-2	184	62	0	90	115	30	TR20	235	325
831-3	257	73,6	0	140	139	30	TR20	300	440

