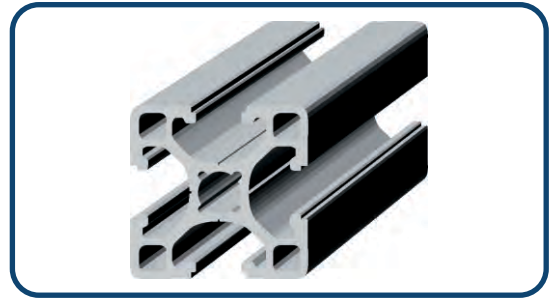
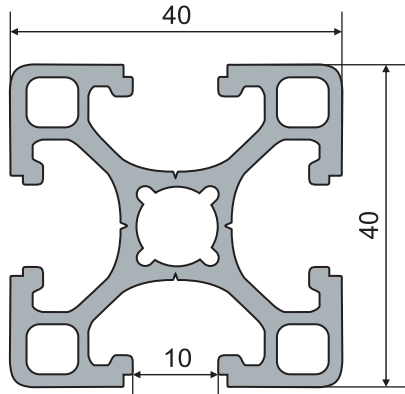
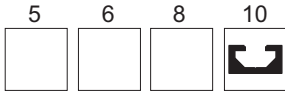


OBC-40*40 L سبک



Part No.	Wy cm ³	Wx cm ³	Ly cm ⁴	Lx cm ⁴	L mm	coating	Material	Area cm ²	Weight kg/m
OBC-40*40 L	6.05	6.05	10.37	10.37	6000	Anodizad	AL-6063	6.12	1.65

L(Standard) : 6050 mm



