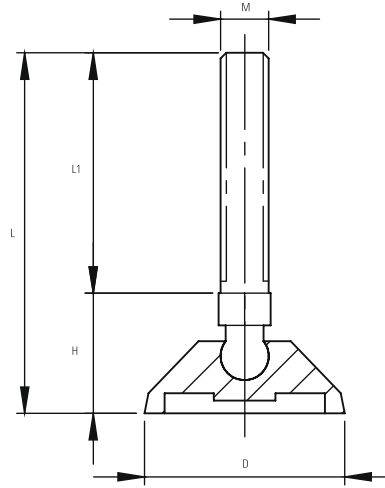


EP40 SERIES (13 SW) Ø40 Polyamide Articulated Feet

CODE	D (mm)	M	L (mm)	L1 (mm)	H (mm)	Load kg / pcs
EP40 0845	40	M8x45	75	45	30	400
EP40 0860	40	M8x60	90	60	30	400
EP40 1045	40	M10x45	75	45	30	400
EP40 1060	40	M10x60	90	60	30	400
EP40 1075	40	M10x75	105	75	30	400
EP40 1090	40	M10x90	120	90	30	400
EP40 1245	40	M12x45	75	45	30	400
EP40 1260	40	M12x60	90	60	30	400
EP40 1275	40	M12x75	105	75	30	400
EP40 1290	40	M12x90	120	90	30	400



Material: GLASS FIBER REINFORCED POLYAMID BASE

METAL: ST 37

Coating: WHITE CR + 3 COVERED BOLT

Add (L) to the standard product code for the

anti-slip rubber pad and (S) for the addition of nut

