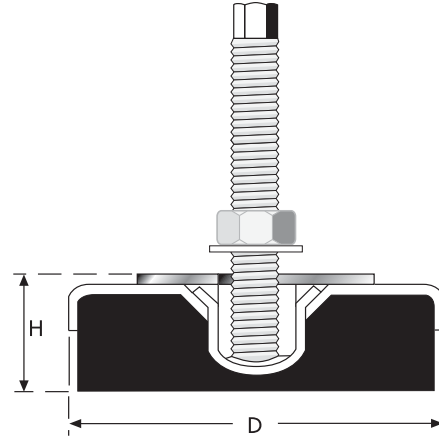


M SERIES Machine Anti Vibration Mounts

| CODE | D (mm) | Civata Bolt | Bolt Length | H (mm) | Leveling Adj | Load kg / pcs |
|------|--------|-------------|-------------|--------|--------------|---------------|
| M1 | 80 | M12x1.25 | 120 | 38 | 12 | 500 |
| M2 | 120 | M16x1.5 | 120 | 45 | 13 | 1000 |
| M3 | 160 | M20x1.5 | 170 | 53 | 15 | 2000 |
| M4 | 160 | M20x1.5 | 170 | 54 | 15 | 4000 |
| M5 | 200 | M20x1.5 | 170 | 56 | 15 | 5500 |

Machine Anti-Vibration Mounts ADVANTAGES

Vibration reduction
Easy leveling for machines
No anchor bolts to the floor, prevention of machine walking
Easy and quick installation
Rubber base in high resistance to oils, acids, grease, etc.



APPLICATIONS

Milling, moulding, printing, stamping machines, wood working machines, packaging equipments, lathers, grinders, presses, die casting, band saws etc.

Select to Mounts

Total machine weight/number of machine supports=load capacity kg/pcs.

