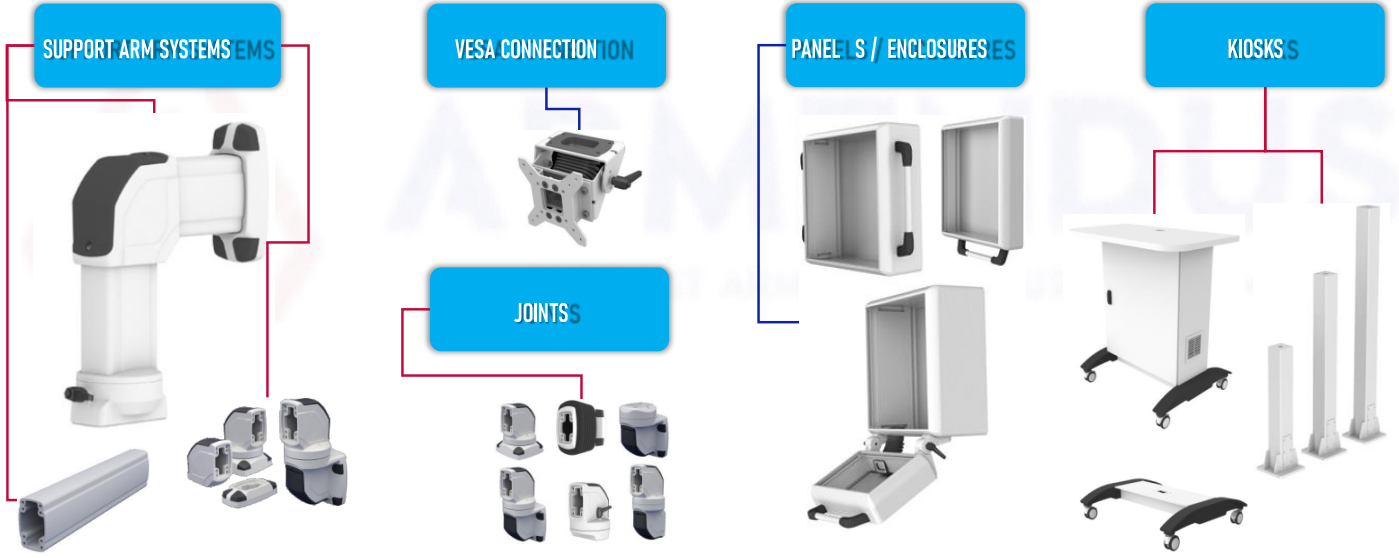
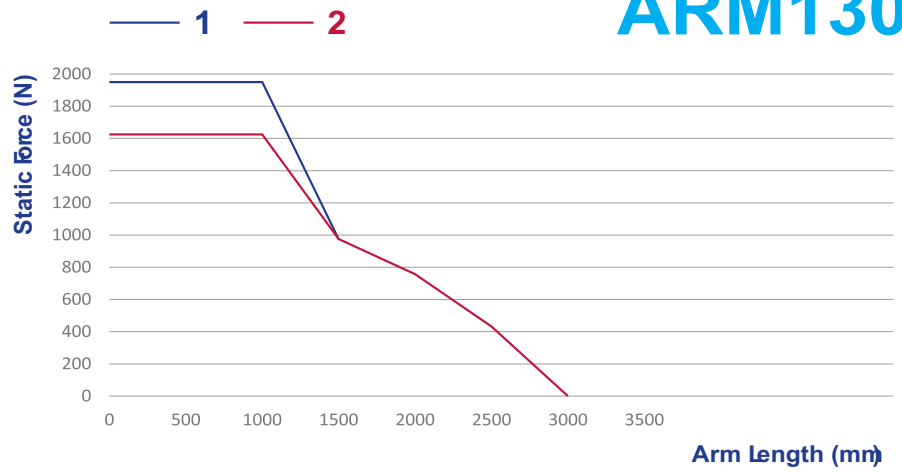
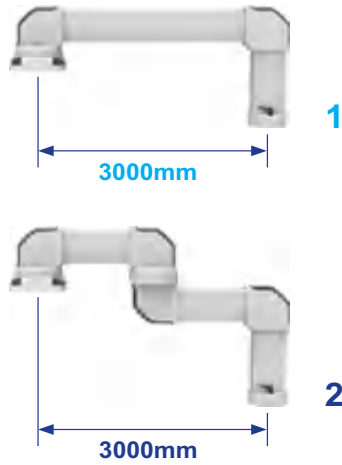


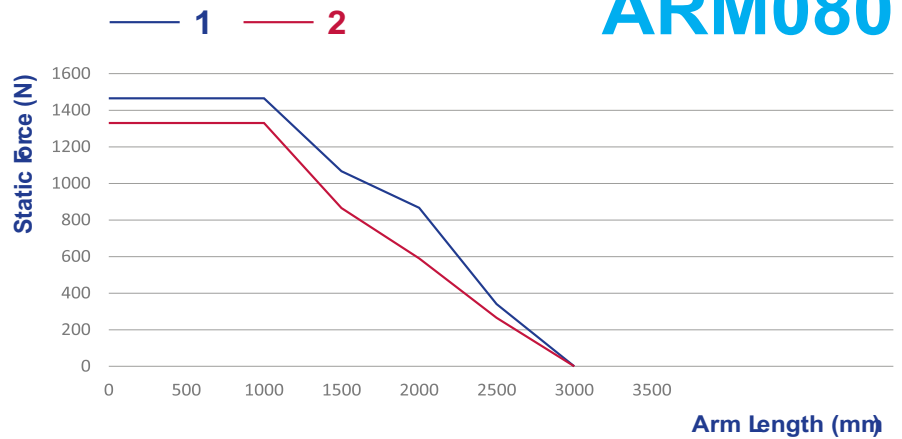
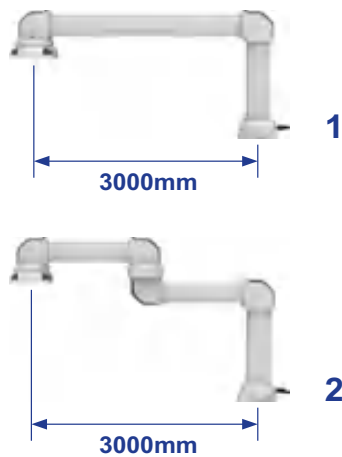
## پنل و اتصالات ماشین آلات صنعتی



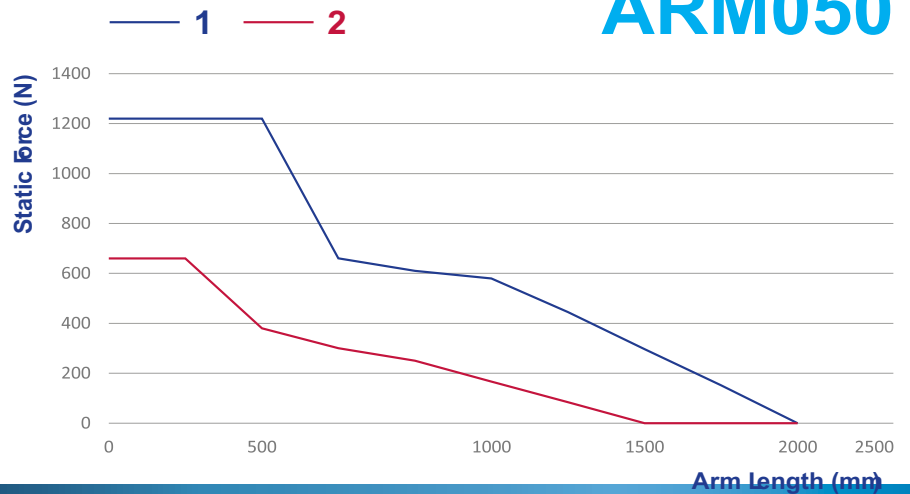
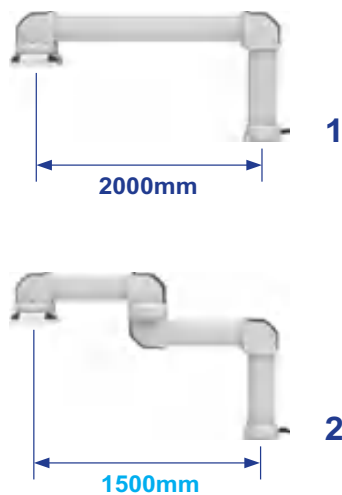
## ARM130



## ARM080

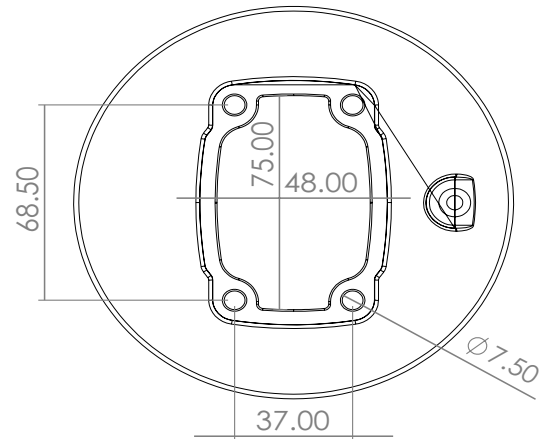


## ARM050

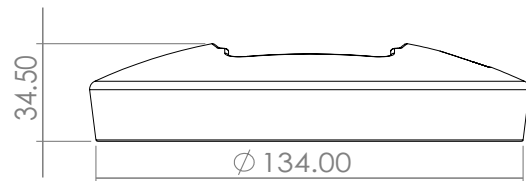


## ARM130.310

## Panel Coupling



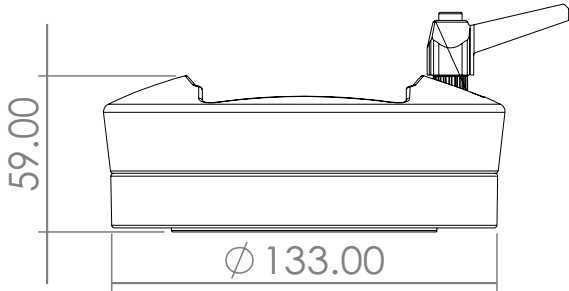
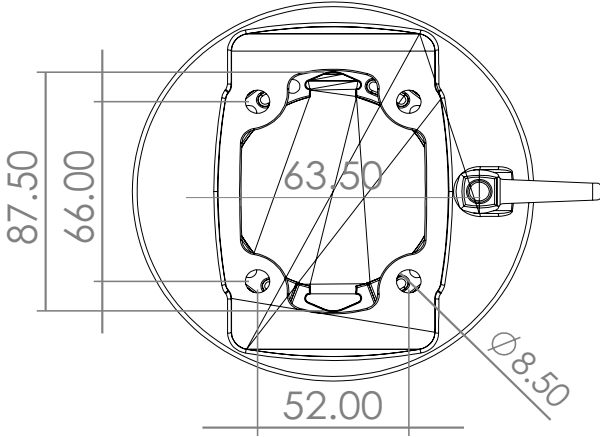
Ø134mm Panel Coupling provides the connection between the operator arm and the operator panel. ARM130.310 is a fixed module. The diameter is 130mm and produced for wide panels with depth.



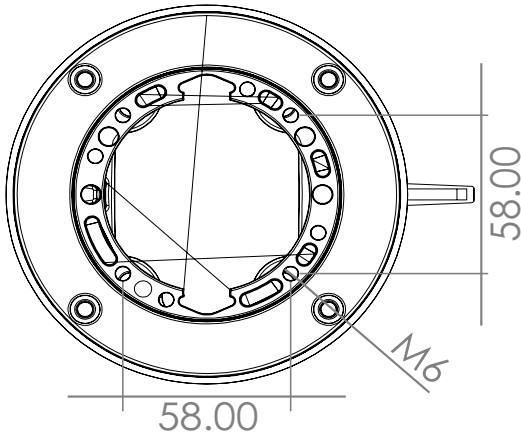
Weight	480 gr
Color Ral No	RAL 7035
Package	1
Package Dimension	135x40x135 mm
Material	Aluminum
Movement	Fixed
Diameter	Ø134 mm

## Rotatable Panel Coupling

## ARM130.320



ARM130.320 Rotatable Panel Coupling provides the connection between the operator arm and the operator panel. The diameter is 133mm with a rotation capacity of 315° allowing the operator to rotate the panel to any desired position. It is produced for panel types with high depth ratio.



Weight	1300 gr
Color Ral No	RAL 7035
Package	1
Package Dimension	150x60x145 mm
Material	Aluminum
Movement	Rotatable 315°
Diameter	Ø133 mm

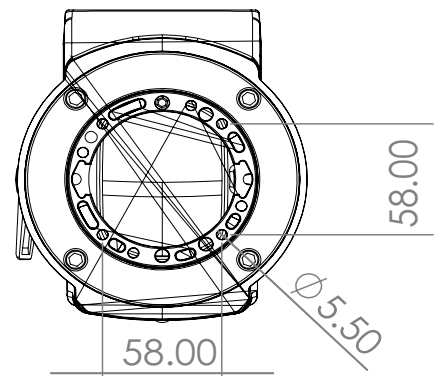
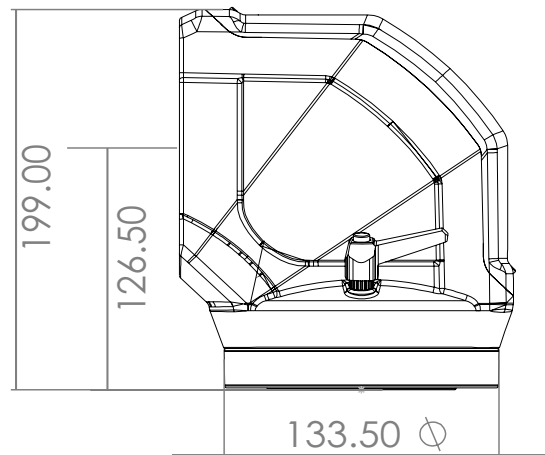
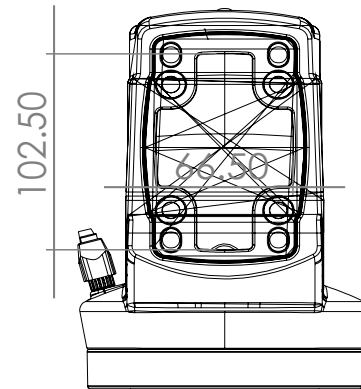


## ARM130.400

## Rotatable Panel 90° Angle Coupling



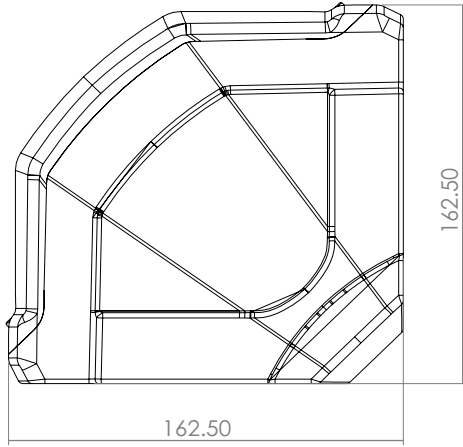
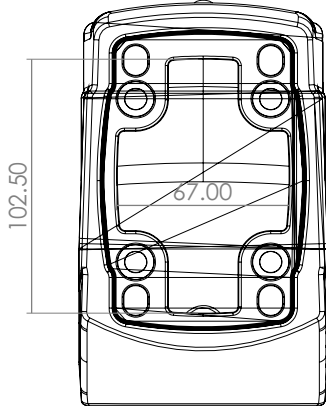
ARM130.400 Rotatable Panel 90° Angle Coupling is suitable for an operator panel that requires positioning directly after a 90° angle corner turn. The rotation angle is 315° in total. The ability to rotate around itself provides flexibility for the operator using the panel in bringing it to a desired position. ARM130.400 is an ideal product that will be used for the panel types with more depth.



Weight	2400 gr
Color Ral No	RAL 7035 (Cover RAL 7016)
Package	1
Package Dimension	220x150x170 mm
Material	Aluminum
Movement	Rotatable 315°
Diameter	Ø133,5 mm

## 90° Angle Piece

## ARM130.420



ARM130.420 90° Angle Piece is a fixed corner module that connects the operator arms in horizontal and vertical axis. Based on the structural features and usage conditions, this product can be used for heavy loads panels positioned in long distance and without any compatibility issues.

Weight	1650 gr
Color Ral No	RAL 7035 (Cover RAL 7016)
Package	1
Package Dimension	170x100x160 mm
Material	Aluminum
Movement	Fixed

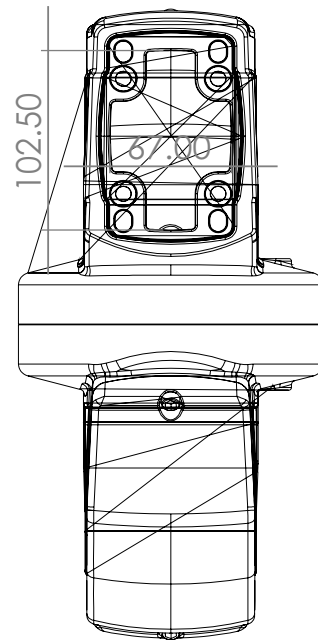


تلفن : (021) 33913364 - 33951660

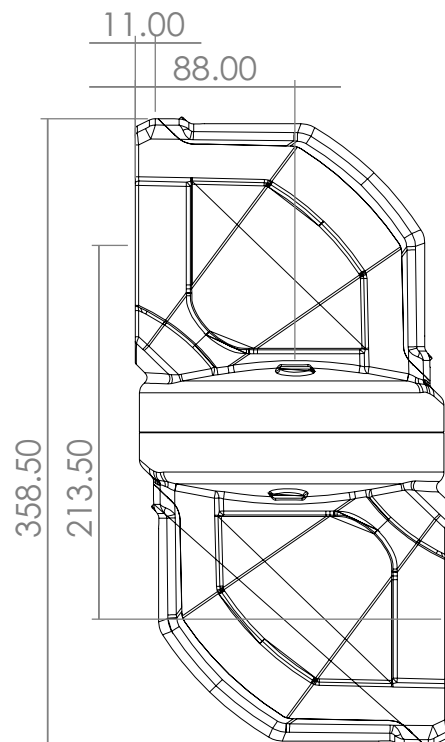
فکس : (021) 33985603

## ARM130.500

## Rotatable Intermediate Hinge



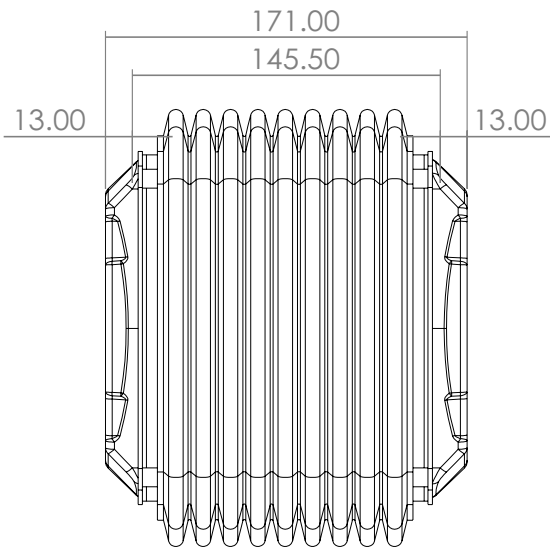
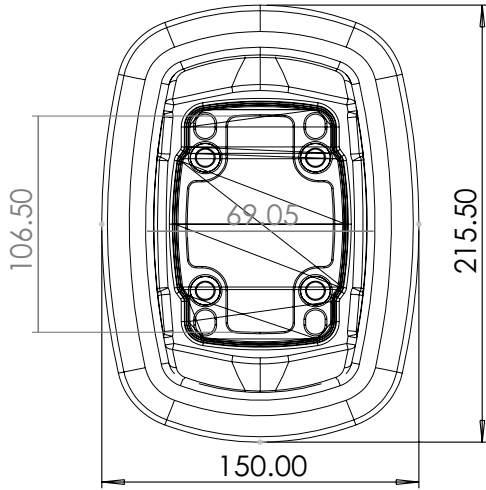
ARM130.500 Rotatable Intermediate Hinge module is used to ensure two operator arms on the horizontal axis are mounted on the assembly point and move at a semi-independent angle (315°) from each other. This product is an indispensable product for heavy loads and long length configurations in terms of structure and usage.



Weight	5700 gr
Color Ral No	RAL 7035 (Cover RAL 7016)
Package	1
Package Dimension	355x180x175 mm
Material	Aluminum
Movement	Rotatable 315°

## Steel Interconnection Module - With Bellows

## ARM130.505



ARM130.505 Steel Interconnection Module - With Bellows is used to mount two operator arms to the connection points horizontally enabling them to move at 90° to the right or 90° to the left. The cast steel body of this product safely combines heavy and long arm configurations.

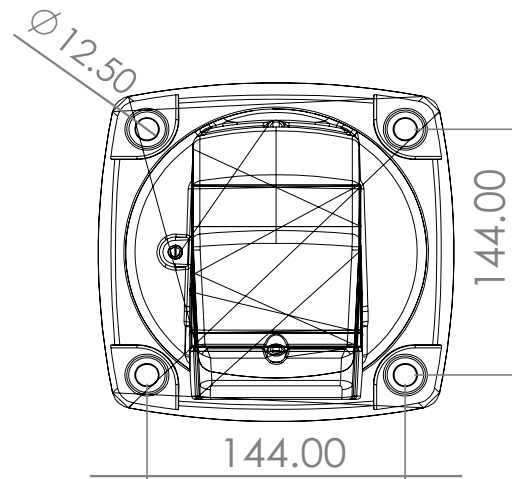
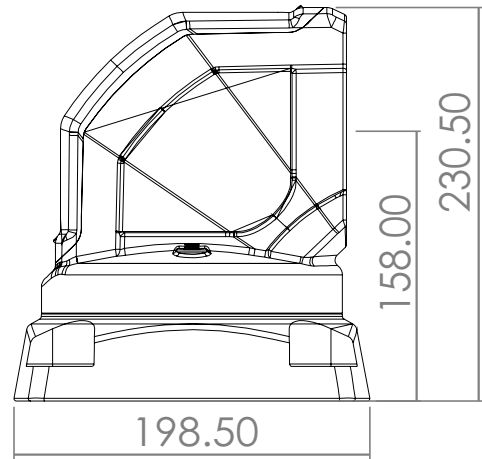
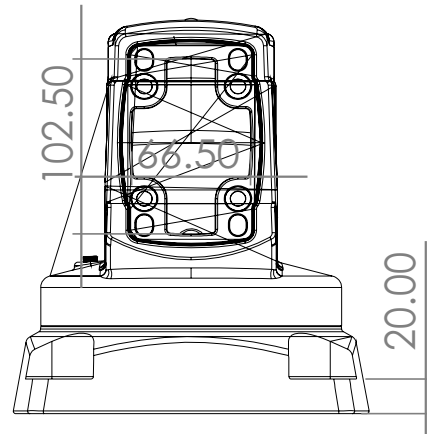
Weight	1000 gr
Color Ral No	RAL 7035 (Bellow RAL 7016)
Package	1
Package Dimension	245x180x160 mm
Material	Steel Casting
Movement	Right 90° / Left 90°





## ARM130.600

## Rotatable Top Mounted 90° Angle Joint

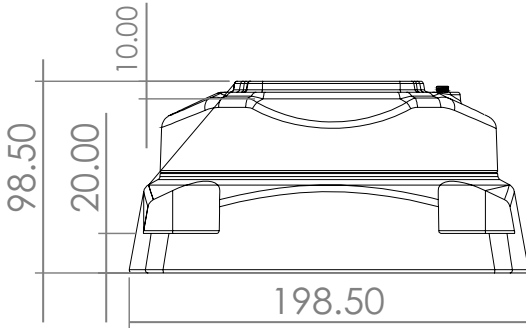
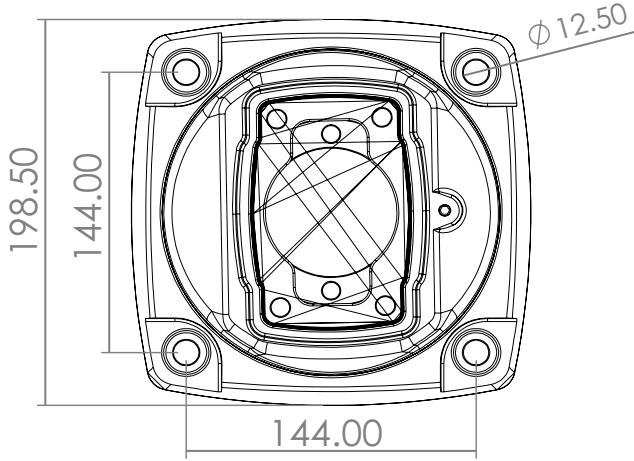


ARM130.600 Rotatable Top Mounted 90° Angle Joint is produced to provide a connection for a high position point. It allows a smooth rotation for the panel horizontally and provides a 315° movement mobility to the right or left. This product is designated for configurations with a heavy loads.

Weight	5900 gr
Color Ral No	RAL 7035 (Cover RAL 7016)
Package	1
Package Dimension	210x240x220 mm
Material	Aluminum
Movement	Rotatable 315°

## Rotatable Top Mounted Vertical Outlet

## ARM130.610



ARM130.610 Rotatable Top Mounted Vertical Outlet provides a 315° rotation movement to the right and left. It is designated for heavy loads configurations and can also serve as a "Fixed Kiosk"

Weight	4800 gr
Color Ral No	RAL 7035 (Cover RAL 7016)
Package	1
Package Dimension	220x125x205 mm
Material	Aluminum
Movement	Rotatable 315°

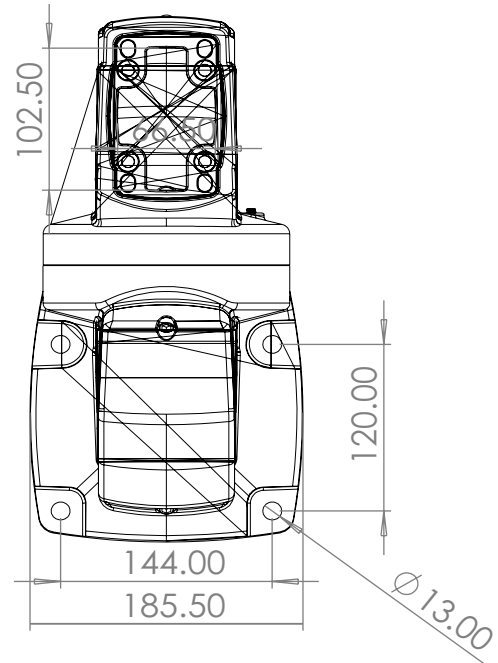


تلفن : (021) 33913364 - 33951660

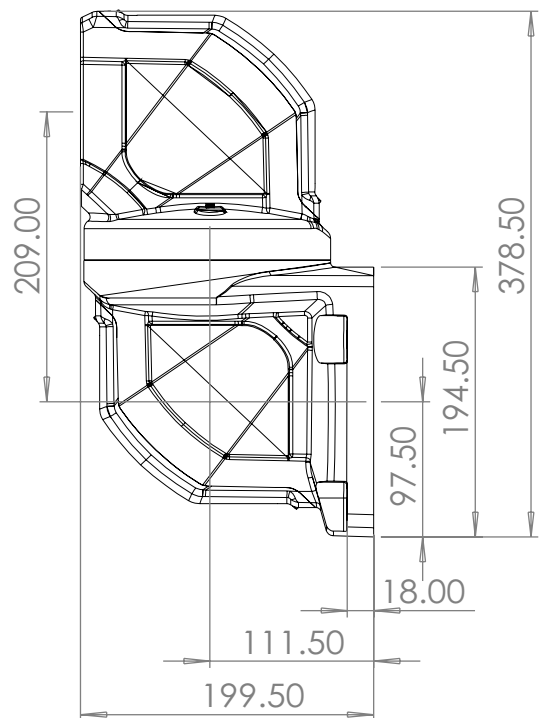
فکس : (021) 33985603

## ARM130.700

## Rotatable Wall-Mounted Hinge Horizontal Outlet



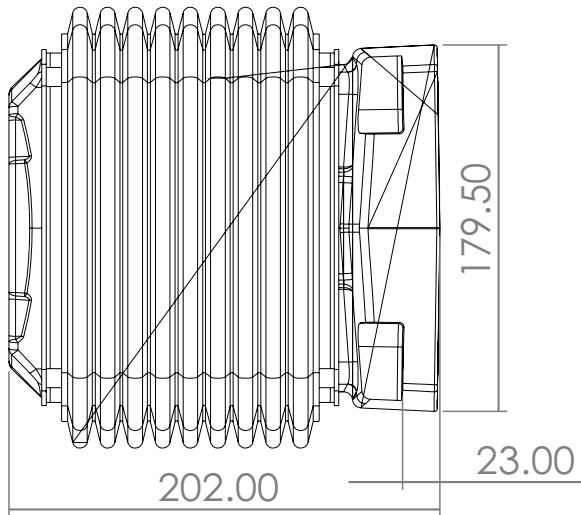
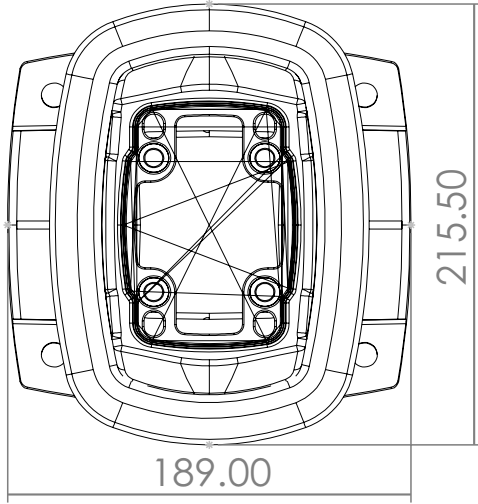
ARM130.700 Rotatable Wall-Mounted Hinge Horizontal Outlet is designed to create a connection point to any preferred point where it is unavailable on the ground. It allows the operator arm to move at a 315° left and right horizontally for heavy loads configurations.



Weight	6500 gr
Color Ral No	RAL 7035 (Cover RAL 7016)
Package	1
Package Dimension	390x200x210 mm
Material	Aluminum
Movement	Rotatable 315°

## Steel Wall Mounted Module - With Bellows

### ARM130.705



The Steel Wall-Mounted Module - With Bellows helps fixing the operator arms horizontally which are positioned on vertical surfaces. This product with its cast steel body gives reliability for heavy loads and long-distance arm configurations. It allows a mobility of 90° to the right and left.

Weight	1000 gr
Color Ral No	RAL 7035 (Bellow RAL 7016)
Package	1
Package Dimension	250x220x290 mm
Material	Aluminum
Movement	Right 90° / Left 90°

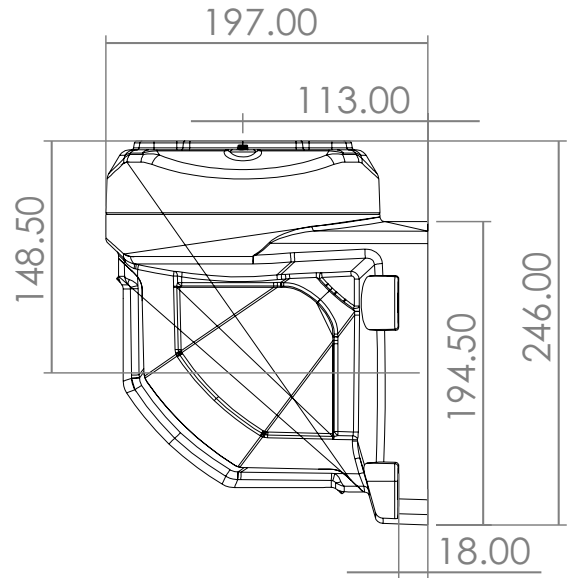


تلفن : (021) 33913364 - 33951660

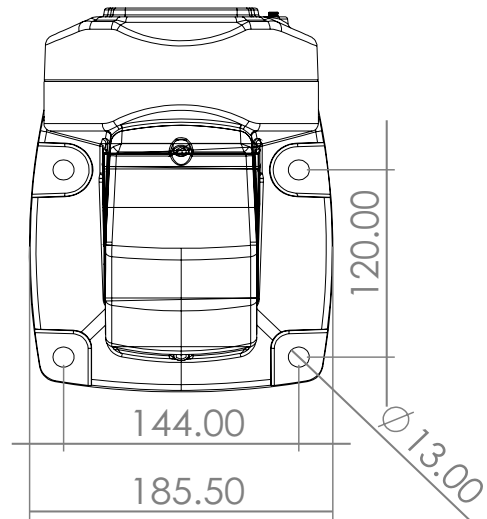
فکس : (021) 33985603

## ARM130.710

## Rotatable Wall-Mounted Hinge Vertical Outlet



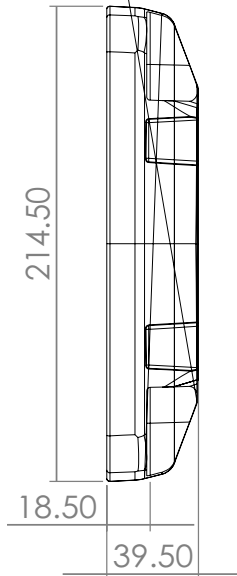
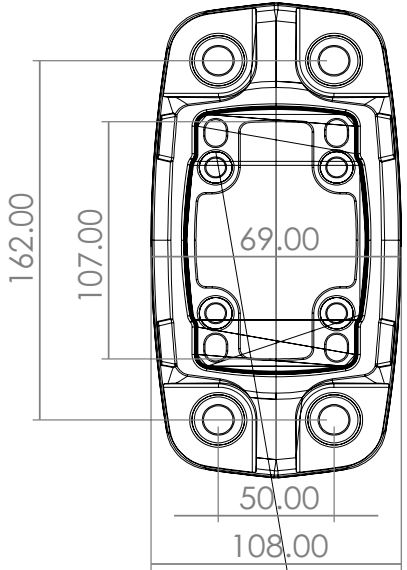
ARM130.710 Rotatable Wall-Mounted Hinge Vertical Outlet is designed to create a connection point to any preferred point vertically. It allows the operator arm to move at a 315° left and right for heavy loads configurations.



Weight	5750 gr
Color Ral No	RAL 7035 (Cover RAL 7016)
Package	1
Package Dimension	280x200x210 mm
Material	Aluminum
Movement	Rotatable 315°

## Wall-Socket Mounting Bracket

## ARM130.800



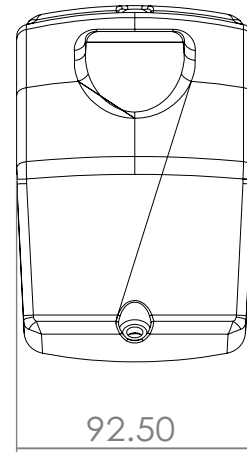
ARM130.800 Wall-Socket Mounting Bracket is a fixed connection that can be easily connected to vertical and horizontal surfaces. It is produced for heavy loads configurations.

Weight	1000 gr
Color Ral No	RAL 7035 (Cover RAL 7016)
Package	1
Package Dimension	220x50x110 mm
Material	Aluminum
Movement	Fixed

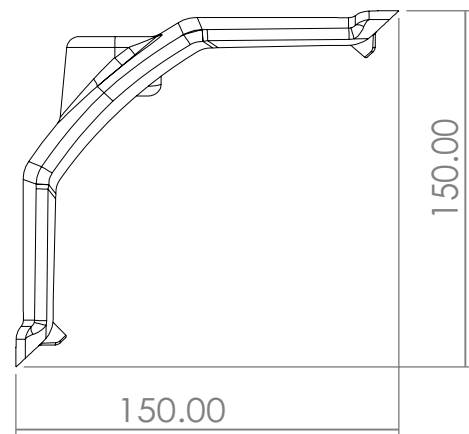


## ARM130.810

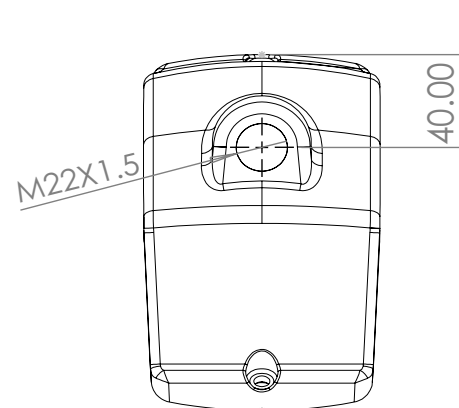
## Warning Lamp Cover (M22)



ARM130.810 Warning Lamp Cover (M22) is placed on the corner module ensuring an area for the warning lamp to be placed. The warning lamp connection diameter is M22×1.5

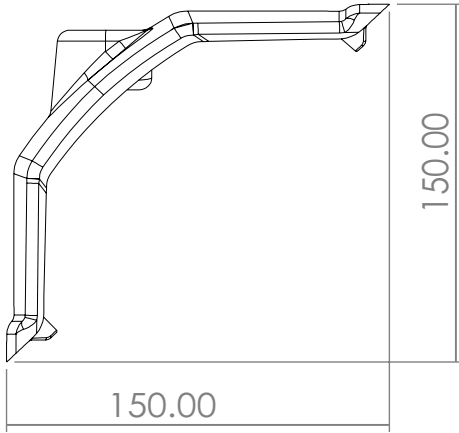
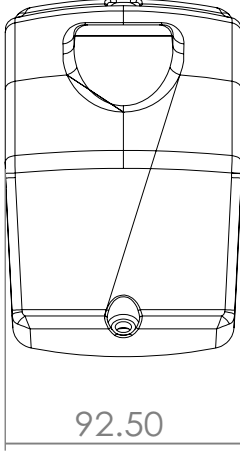


Weight	290 gr
Color Ral No	RAL 7016
Package	1
Package Dimension	200x55x100 mm
Material	Aluminum
Movement	Fixed M22

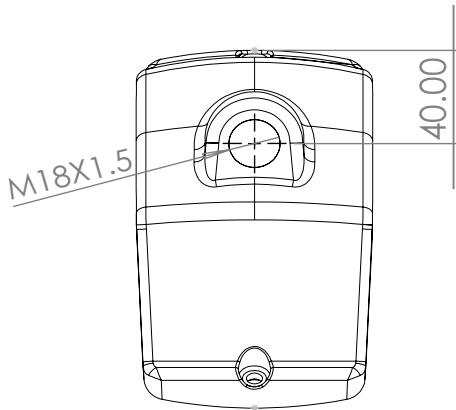


## Warning Lamp Cover (M18)

## ARM130.811



ARM130.811 Warning Lamp Cover (M18) is placed on the corner module ensuring an area for the warning lamp to be placed. The warning lamp connection diameter is M18×1.5



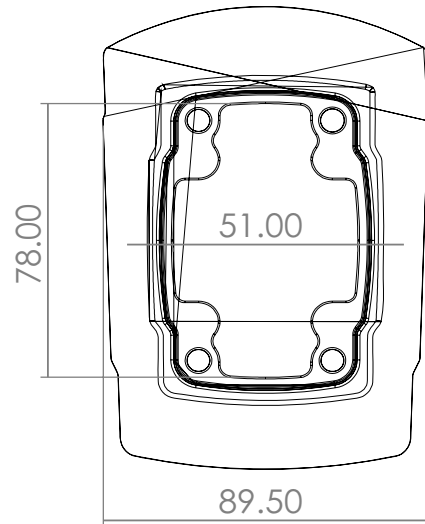
Weight	290 gr
Color Ral No	RAL 7016
Package	1
Package Dimension	200x55x100 mm
Material	Aluminum
Movement	Fixed M18



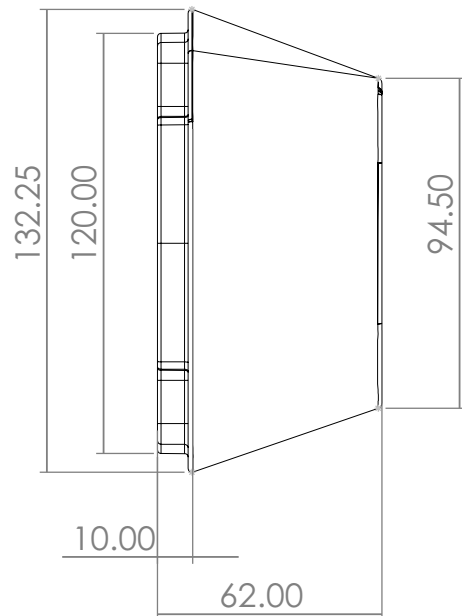


## ARM130.820

## 130/080 Support Arm Adaptor



130/080 Support Arm Adaptor is used to secure the connection between ARM130 and ARM080 Its is designed for configurations of heavy loads. The configurations with this product prevent vibrating and sagging as a result of heavy loads. This support Arm Adaptor can be used horizontally or vertically.



Weight	500 gr
Color Ral No	RAL 7035
Package	1
Package Dimension	140x70x90 mm
Material	Aluminum
Movement	Fixed