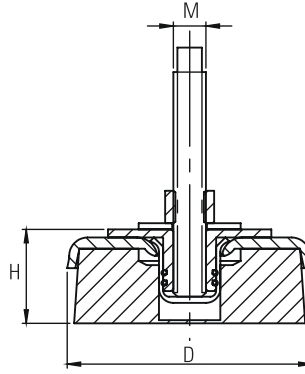


ES SERIES Machine Anti Vibration Mounts

CODE	D (mm)	M	Bolt Length	H (mm)	Leveling Adj	Load kg / pcs
ES1	80	M12x1.25	120	45	12	500
ES1/A	80	M16x1.5	120	45	12	500
ES1/B	80	M10x1.5	100	45	12	500
ES2	120	M16x1.5	120	45	15	1000
ES2/A	120	M12x1.25	120	45	15	1000
ES2/B	120	M16x2	120	45	15	1000
ES3	160	M16x1.5	120	54	15	2000
ES4	160	M20x1.5	170	55	15	4000
ES5	200	M20x2.5	170	55	25	5000
ES6	200	M24x3	170	55	25	6000
ES7	240	M20x2.5	170	65	25	7000
ES7/A	240	M24x3	170	65	25	8000
ES7/B	240	M30x3	170	65	25	9000



ADVANTAGES

- Vibration reduction.
- Easy leveling for machines.
- No anchor bolts to the floor, prevention of machine walking.
- Easy and quick installation.
- Rubber base in high resistance to oils, acids, grease, etc.

APPLICATIONS

Milling, moulding, printing, stamping machines, wood working machines, packaging equipments, lathes, grinders, presses, die casting, band saws etc.

SELECT TO MOUNTS

Total machine weight/number of machine supports=load capacity kg/pcs.

