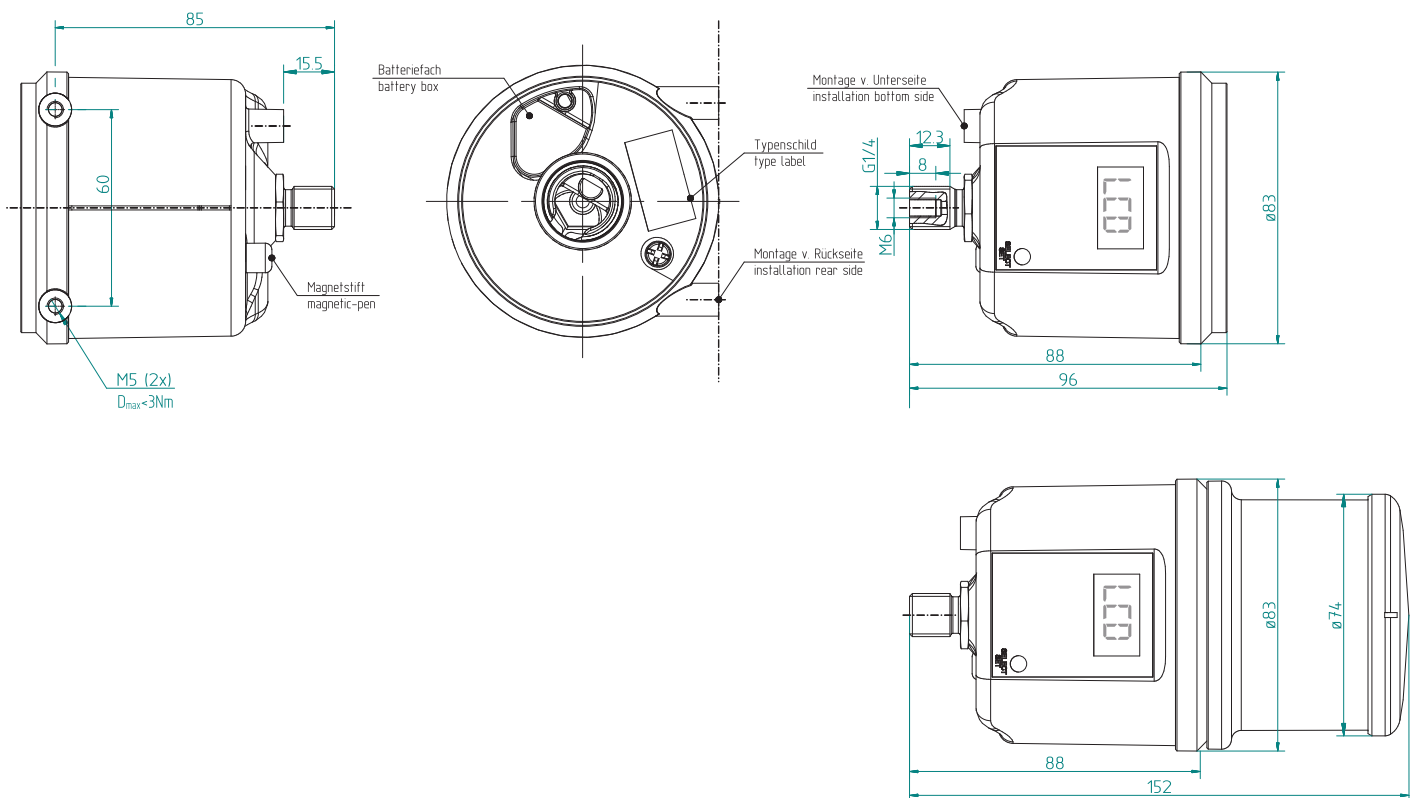


3.1 FlexxPump 125 B

- ✓ automatical, battery-driven relubrication unit
- ✓ Single- or multiple-gates lubrication-points
- ✓ tightly arranged piston-pump (1 pumpbody)
- ✓ Greases up to NLGI 2 (also solid particles)
- ✓ 1 outlet G1/4(o) and M6(i)
- ✓ up to 10 lubrication-points by using distributors
- ✓ pressure max. 12 / 35 bar (switchable)
- ✓ 125 cc grease in cartridge
- ✓ low weight; running time and quantity per cycle adjustable
- ✓ suitable for single or combinend relubrication of:
 - + (rolling-) bearings
 - + linear guidance
 - + ball screw nuts
 - + racks & pinions
 - + rotary joints
 - + ...



FlexxPump 125 B: autarker, batteriebetriebener Nachschmiergeber für Fett; 125 cm³ Kartusche aufgesetzt; (abgebildet: 135-125-000 mit Kartusche 125)



3.1 FlexxPump 125 B

Technische Daten

Dimensions with cartridge 125	
Weight (without lubricant)	
Function / principle	
Volume of lubricant	
Delivered volume per stroke/pulse	
Number of pump hubs / cartridge 125 cc	
Maximal pressure	
Operating pressure	
Lubricant	
Operating temperature	
Number of outlet	
Thread of outlet	
Number of lubrication points	
Lube-connection	
Operating voltage	
Connecting plug	135-125-000 135-125-010
Installation	
Installation position	
Control	integrated
Pressure monitoring	
Fill level monitoring	
Display	
Running-time	adjustable
Quantity per cycle	adjustable
Error-signal	optical
Filling-function	
IP class	
Material housing	

Technical data

83 x 152 x 83 [mm] B x H x T W x H x D [mm]
ca. 0.35 kg apx. 0.35 kg
Kolbenpumpe Piston pump
125 cm ³ (in Kartusche) 125 cc (in cartridge)
0.15 cm ³ 0.15 cc
ca. 830 apx. 830
12 / 35 bar (umschaltbar switchable)
max. 25 bar up to 25 bar
bis NLGI 2, mit Feststoffanteilen möglich
up to NLGI 2, with solid parts possible
-20°C...+70°C -4°F...+158°F
1
G1/4"(a) und M6(i) G1/4"(o) and M6(i)
max. 4* / 10** up to 4* / 10**
direkt oder über zus. Schlauchanschluss an PA-Schlauch Direct or with PA-tube
4,5V DC (Batterie Battery
keiner none
M12x1, 4-polig M12x1, 4pole
Rückseite M5(i) (2x) oder Unterseite M5(i) mit G1/4"(a) oder DLS Systemzubehör
Rear side M5(i) (2x) or bottom side M5(i) with G1/4"(o) or DLS accessories
beliebig any
mikroelektronisch microelectronic
integriert, elektronisch integrated, electronic
integriert, elektronisch integrated, electronic
LCD LCD
1 / 2 / ... / 24 Monate 1 / 2 / ... / 24 months
0.15 / 0.30 / ... / 1.50 cm ³ 0.15 / 0.30 / ... / 1.50 cc
auf LCD at LCD
vorhanden available
IP 54 IP 54
PA 6.6 GF 30 / POM PA 6.6 GF 30 / POM



Types of FlexxPump 125 B

Variante	Schmierstoff	Typ Flexx-Pump	Anzahl Auslässe	Anzahl Doppelpumpen-körper	Anzahl Schmierstellen**/	M12x1 Stecker	Artikel-Nr.
Variants	Lubricant	Type Flexx-Pump	Number of outlets	Number of twin-pump-bodies	Number of lubrication points**/	M12x1 plug	Part-No.
Battery time-controlled	Grease	125 B	1	1	max. 4/10	--	135-125-000
		125 B	1	1	max. 4/10	++	135-125-010

* bei der Verwendung von Mengenteilern/Splittern: max. 4 | by using splitters: max. 4

** bei Verwendung von Progressivverteilern | by using progressive-distributors.

Accessories for FlexxPump 125

On demand: FlexxPump 125 B with lubricant as ready-to-install available.

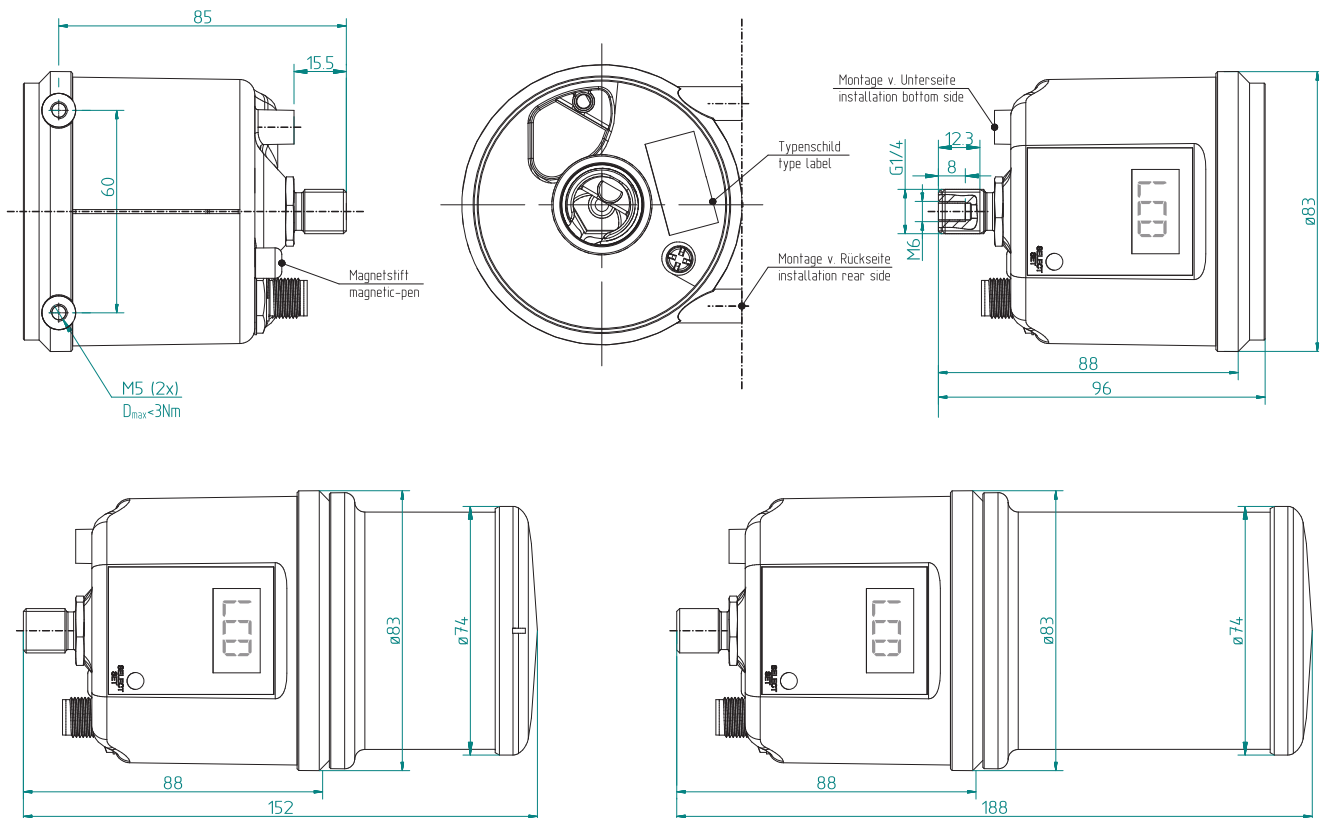


3.2 FlexxPump 125

- ✓ automatical relubrication unit for 24V DC
- ✓ Single- or multiple-gates lubrication-points
- ✓ tightly arranged piston-pump (1 pumpbody)
- ✓ Greases up to NLGI 2 (also solid particles)
- ✓ 1 outlet G1/4(o) and M6(i)
- ✓ up to 14 lubrication-points by using distributors
- ✓ pressure max. 12 / 50 bar (switchable)
- ✓ 125 cc / 250 cc grease in cartridge
- ✓ low weight; running time and quantity per cycle adjustable
- ✓ suitable for single or combined relubrication of:
 - + (rolling-) bearings
 - + linear guidance
 - + ball screw nuts
 - + racks & pinions
 - + rotary joints
 - + ...



FlexxPump 125: 24V DC-betriebener Nachschmiergeber für Fett; 125 bzw. 250 cm³ Kartusche aufgesetzt; (abgebildet: 135-125-210 mit Kartusche 125 bzw. 250)



3.2 FlexxPump 125

Technische Daten

Dimensions with cartridge 125	83 x 152 x 83 [mm] B x H x T W x H x D [mm]
Weight (without lubricant)	ca. 0.35 kg apx. 0.35 kg
Function / principle	Kolbenpumpe piston pump
Volume of lubricant	125 cm ³ (in Kartusche) 125 cc (in cartridge) 250 cm ³ (in Kartusche) 250 cc (in cartridge) 0.15 cm ³ 0.15 cc
Delivered volume per stroke / pulse	ca. 830 / 1666 apx. 830 / 1666
Number of pump hubs / cartridge 125 cc / 250 cc	12 / 50 bar (umschaltbar switchable)
Maximal pressure	bis NLGI 2, mit Feststoffanteilen möglich up to NLGI 2, with solid parts possible
Lubricant	-20°C...+70°C -4°F...+158°F
Operating temperature	1
Number of outlet	G1/4"(a) und M6(i) G1/4"(o) and M6(i)
Thread of outlet	max. 4* / 14** up to 4* / 14**
Number of lubrication points	direkt oder über zus. Schlauchanschluss an PA-Schlauch direct or with PA-tube
Lube-connection	24V DC
Operating voltage	M12x1, 4-polig M12x1, 4pole
Connecting plug	Rückseite M5(i) (2x) oder Unterseite M5(i) mit G1/4"(a) oder DLS Systemzubehör Rear side M5(i) (2x) or bottom side M5(i) with G1/4"(o) or DLS accessories
Installation	beliebig any
Installation position	intern mikroelektronisch microelectronic
Control	SPS PLC
Pressure monitoring	integriert, elektronisch integrated, electronic
Fill level monitoring	integriert, elektronisch integrated, electronic
Display	LCD LCD
Running-time	1 / 2 / ... / 24 Monate 1 / 2 / ... / 24 months
Quantity per cycle	0.15 / 0.30 / ... / 1.50 cm ³ 0.15 / 0.30 / ... / 1.50 cc
Error-signal	auf LCD at LCD
Reset after Error-signal	SPS PLC
Filling-function	vorhanden available
IP class	IP 54 IP 54
Material housing	PA 6.6 GF 30 / POM PA 6.6 GF 30 / POM



Types of FlexxPump 125

Variante	Schmierstoff	Typ Flexx-Pump	Anzahl Auslässe	Anzahl Doppelpumpen-körper	Anzahl Schmierstellen**/*	M12x1 Stecker	Artikel-Nr.
Variants	Lubricant	Type Flexx-Pump	number of outlets	Number of twin-pump-bodies	Number of lubrication points**/*	M12x1 plug	Part-No.
24V DC time-controlled موجود در انبار	Grease	125	1	1	max. 4/14	++	135-125-100
24V DC pulse-controlled به صورت سفارشی		125 DLS	1	1	max. 4/14	++	135-125-210

* bei der Verwendung von Mengenteilern/Splittlern: max. 4 | by using splitters: up to 4

** bei Verwendung von Progressivverteilern | by using progressive-distributors.

On demand: FlexxPump 125 / 125 DLS with lubricant as ready-to-install available.

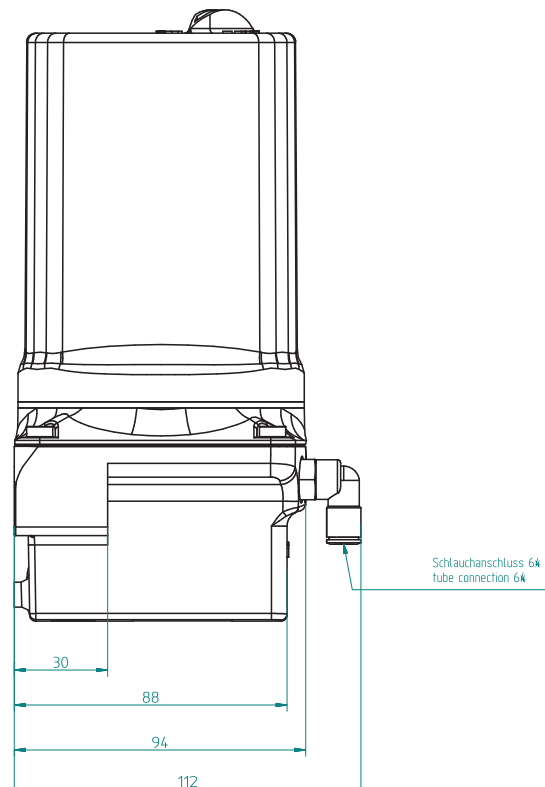
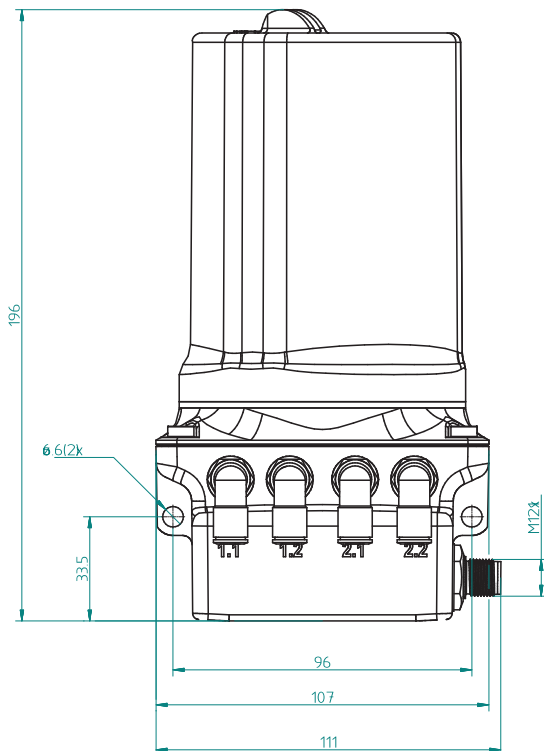


3.3 FlexxPump 400 B / 500 B

- ✓ automatical , time-control led rel ubrication unit
- ✓ easy programmabl e by LCD-Displ ay (incl . error-monitoring)
- ✓ piston-pump (1 pumpbody)
- ✓ Greases up to NLGI 3 (al so sol id particel s)
- ✓ 1-2 outl ets; up to 8 l ubrication points */**
- ✓ running time and quantity per time-unit programmabl e
- ✓ pressure: max. 70 bar
- ✓ 400cc grease in cartridge
- ✓ l ow weighth and l ong l ifetime of battery
- ✓ suitabl e for autarkic rel ubrication of:
 - + (rol l ing-) bearings
 - + l inear guidance
 - + bal l screw nuts
 - + racks & pinions
 - + rotary joints
 - + ...



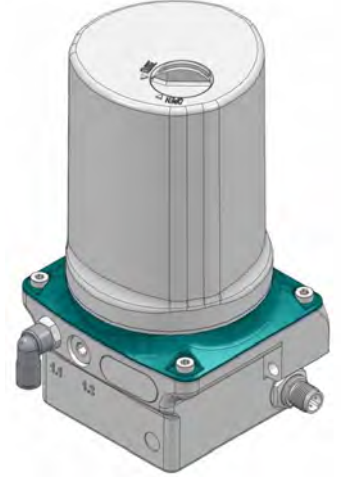
FlexxPump 401 B: autarker, zeitgesteuerter Nachschmiergeber Fett; für 400 cm³ Kartusche; Gehäuse-Abdeckung (grau); ohne M12x1-Stecker; für 3V Batteriebetrieb; (abgebildet: 135-140-000)



3.3 FlexxPump 400 B / 500 B

Technische Daten

Dimensions		112 x 196 x 94 [mm] B x H x T W x H x D
Weight (without lubricant)		ca. 1,1 kg
Function/principle		Kolbenpumpe piston pump
Volume of lubricant	Grease	400 cm ³ (in Kartusche 400 cc in cartridge)
	Oil	500 cm ³ (direkt eigefüllt directly filled in)
Delivered volume per stroke	outlet outlets	0,15 cm ³ - Typen: 401 B / 501 B types: 401 B / 501 B 0,15 cm ³ - Typen: 402 B / 502 B types: 402 B / 502 B ca. 2700 apx. 2700
Number of pump hubs / cartridge 400 cc		
Operation pressure		max. 70 bar up to 70 bar
Lubricant	Oil or Grease	bis NLGI Klasse 3, mit Feststoffanteilen möglich up to NLGI 3, with solid parts possible
Operating temperature		-25°C...+70°C
Number of outlets		max. 2 rechtwinklig und drehbar right-angled and turnable
Number of lubrication points		max. 4/8 ^{*/**} up to 4/8 ^{*/**}
Lube-connection		PA-Schlauch PA-tube
Operating voltage		3V DC
Installation position	Grease	beliebig any
	Oil	senkrecht upright
Control	integrated	mikroelektronisch microelectronic
Running-time		1 / 2 / ... / 36 Monate 1 / 2 / ... 36 months
Quantity per cycle		0,15 / 0,30 / ... / 4,50 cm ³ 0,15 / 0,30 / ... 4,50 cc
Pressure monitoring		integriert, elektronisch integrated, electronic
Fill level monitoring		integriert, Reedkontakt integrated, reed contact
Error-signal	optical	LCD
Material housing		Zink, Polyamid Zinc, polyamide



Types of FlexxPump 400 B / 500 B

Variante	Fett / Öl	Typ Flexx-Pump	Anzahl Auslässe	Anzahl Schmierstellen ^{*/**}	unterschiedliche Schmiermengen	Ausführung Gehäuseabdeckung	M12x1 Stecker	IP-Klasse	Artikel-Nr.
Variants	Grease / Oil	Type Flexx-Pump	number of outlets	number of lubrication points ^{*/**}	combination different quantities lubricant	model housing cover	M12x1 plug	IP degree of protection of enclosure	Part-No.
Battery time-controlled	Grease	401 B	1	max. 4	1	grey	--	54	135-140-000
						metal	--	67	135-140-001
						grey	++	54	135-140-010
						metal	++	67	135-140-011
		402 B	2	max. 8	1	grey	--	54	135-240-000
						metal	--	67	135-240-001
						grey	++	54	135-240-010
						metal	++	67	135-240-011

* by using splitters

** more lubrication-points by using progressive-distributors.

On demand: FlexxPump 400 B with lubricant as ready-to-install available.

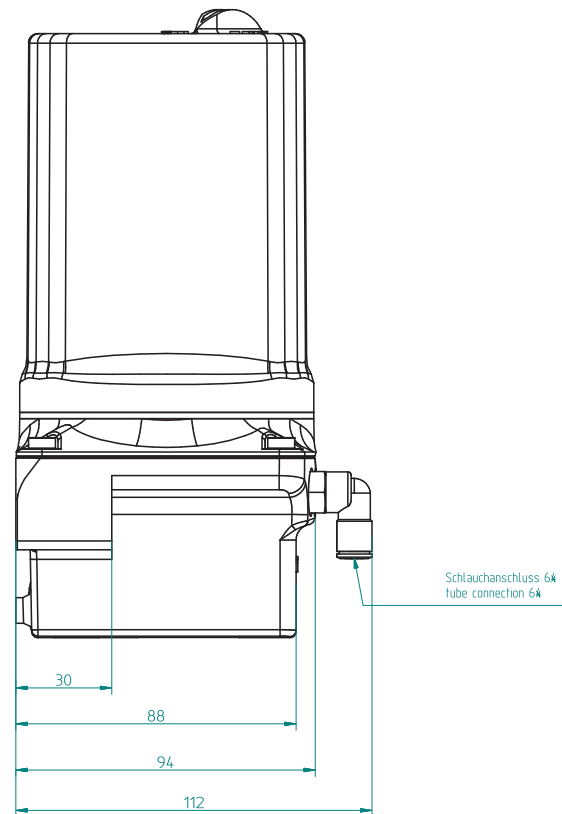
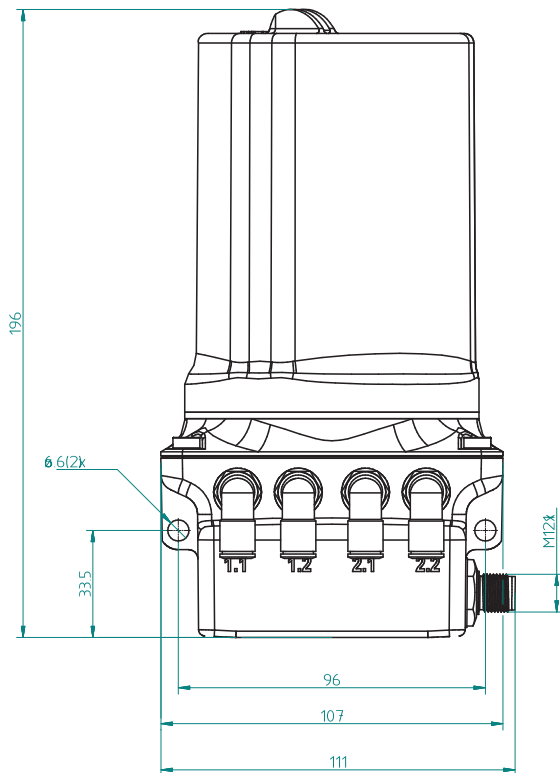


3.4 FlexxPump 400 / 500

- ✓ automatical, time-controlled relubrication unit
- ✓ easy programmable by LCD-Display (incl. error-monitoring)
- ✓ Piston-pump (1 pumpbody)
- ✓ Greases and oil up to NLGI 3 (also solid particels)
- ✓ 1-2 outlets; up to 8 lubrication points */**
- ✓ Running time and quantity per time-unit programmable
- ✓ Pressure: up to 70 bar
- ✓ 400cc grease in cartridge (500ml oil)
- ✓ Low weigth and low current-cumsumption
- ✓ suitable for relubrication of:
 - + (ball-) bearings
 - + linear blocks
 - + ball screw nuts
 - + racks & pinions
 - + rotary joints
 - + ...



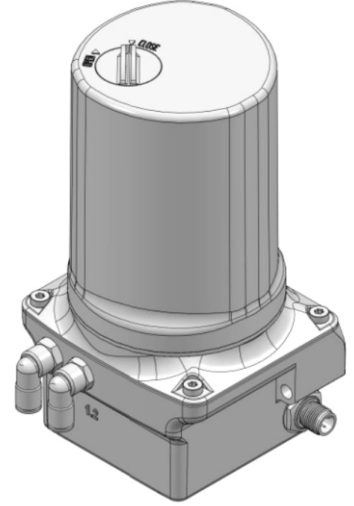
FlexxPump 401 zeitgesteuerter 24V DC Nachschmiergeber Fett; für 400 cm³ Kartusche; Metall Gehäuse-Abdeckung; (abgebildet: 135-140-101)



3.4 FlexxPump 400 / 500

Technische Daten

Dimensions	112 x 196 x 94 [mm] B x H x T W x H x D
Weight (without lubricant)	ca. 1,1 kg
Function/principle	Kolbenpumpe Piston pump
Volume of lubricant	400 cm ³ (in Kartusche 400 cc in cartridge)
Delivered volume per stroke	500 cm ³ (direkt egefüllt 500cc directly filled in)
Number of pump hubs / cartridge 400 cc	0,15 cm ³ - Typen: 401/501 0.15 cc types: 401/501
Operation pressure	0,15 cm ³ - Typen: 402/502 0.15 cc types: 402/502
Lubricant	ca. 2700 apx. 2700
Operating temperature	max. 70 bar up to 70 bar
Number of outlets	bis NLGI Klasse 3, Feststoffanteile möglich
Number of lubrication points	up to NLGI 3, solid parts possible
Lube-connection	-25°C...+70°C
Operating voltage	max. 2 rechtwinklig und drehbar right-angled and turnable
Connecting plug	max. 4/8 ^{*/**} up to 4/8 ^{*/**}
Current consumption at 24V DC	PA-Schlauch PA-tube
Installation position	24V DC (über Kabel via cable)
Control	M12 x 1, 4-polig M12 x 1, 4-pin
Running-time	I _{max} ≤ 350 mA
Quantity per cycle	beliebig any
Pressure monitoring	Oil
Fill level monitoring	senkrecht upright
Error-signal	integrated
	mikroelektronisch microelectronic
	1 / 2 / ... / 36 Monate 1 / 2 / ... 36 months
	0,15 / 0,30 / ... / 4,50 cm ³ 0.15 / 0.30 / ... 4.50 cc
	integriert, elektronisch integrated, electronic
	integriert, Reedkontakt integrated, reed contact
	Fehlermeldung
	PLC
	Error-signal
	LCD; optional: Winkelstecker mit LED-Anzeigen (134-002-014 / -015)
	optical
	LCD; optional: LED-Connector 90° (134-002-014 / -015)
Material housing	Zink, Polyamid Zinc, polyamide



Types of FlexxPump 400 / 500

Variante	Fett / Öl	Typ Flexx-Pump	Anzahl Auslässe	Anzahl Schmierstellen ^{*/**}	unterschiedliche Schmiermengen	Ausführung Gehäuseabdeckung	M12x1 Stecker	IP-Klasse	Artikel-Nr.
Variants	Grease / Oil	Type Flexx-Pump	number of outlets	number of lubrication points ^{*/**}	combination different quantities lubricant	model housingcover	M12x1 plug	IP degree of protection of enclosure	Part-No.
24V DC time-controlled	Grease	401	1	max. 4	1	PA grey	++	54	135-140-100
						metal	++	67	135-140-101
		402	2	max. 8	1	PA grey	++	54	135-240-100
						metal	++	67	135-240-101

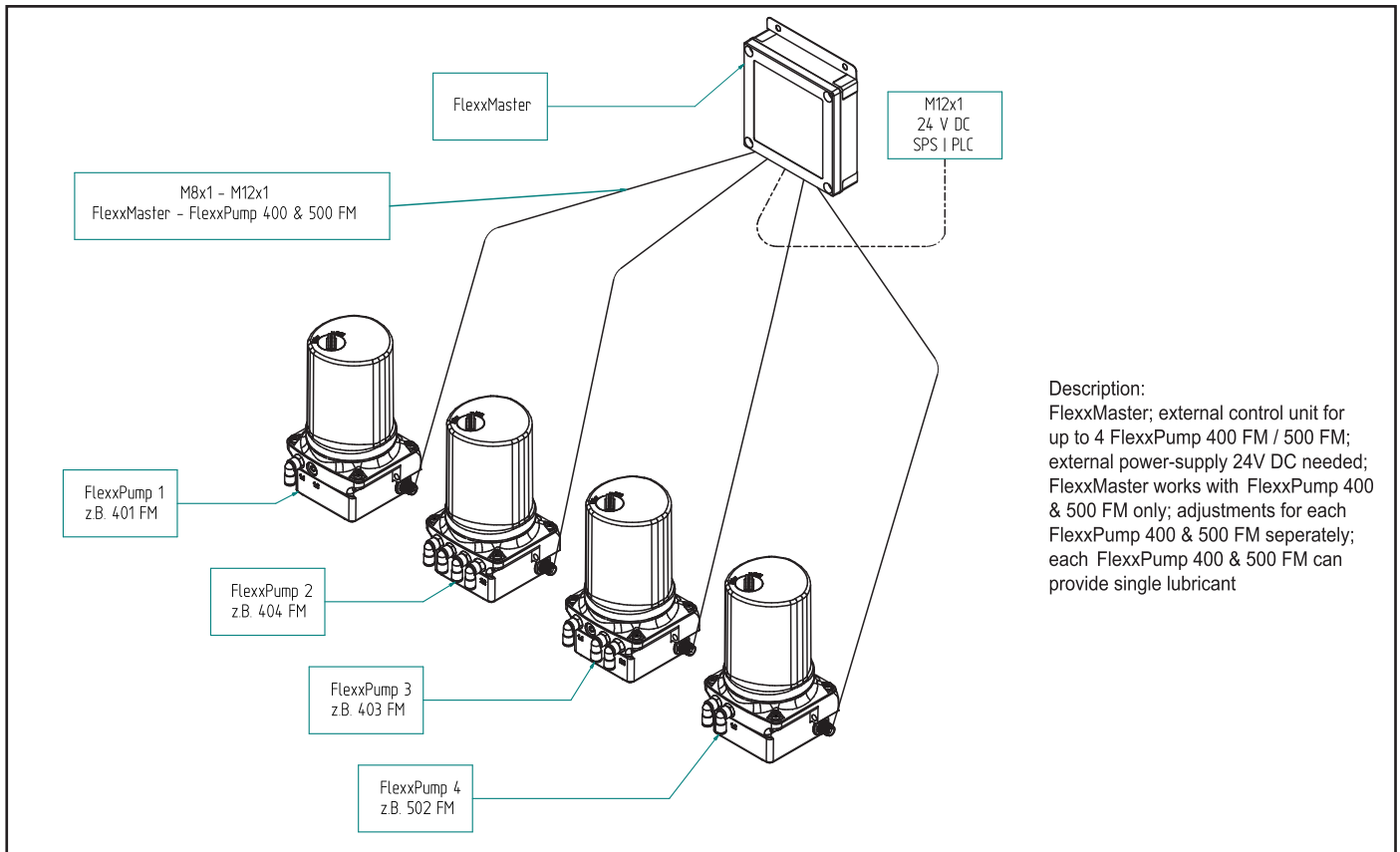
* by using splitters

** more lubrication-points by using progressive-distributors.

On demand: FlexxPump 400 with lubricant as ready-to-install available.



3.5 FlexxPump 400 FM / 500 FM (FlexxMaster)

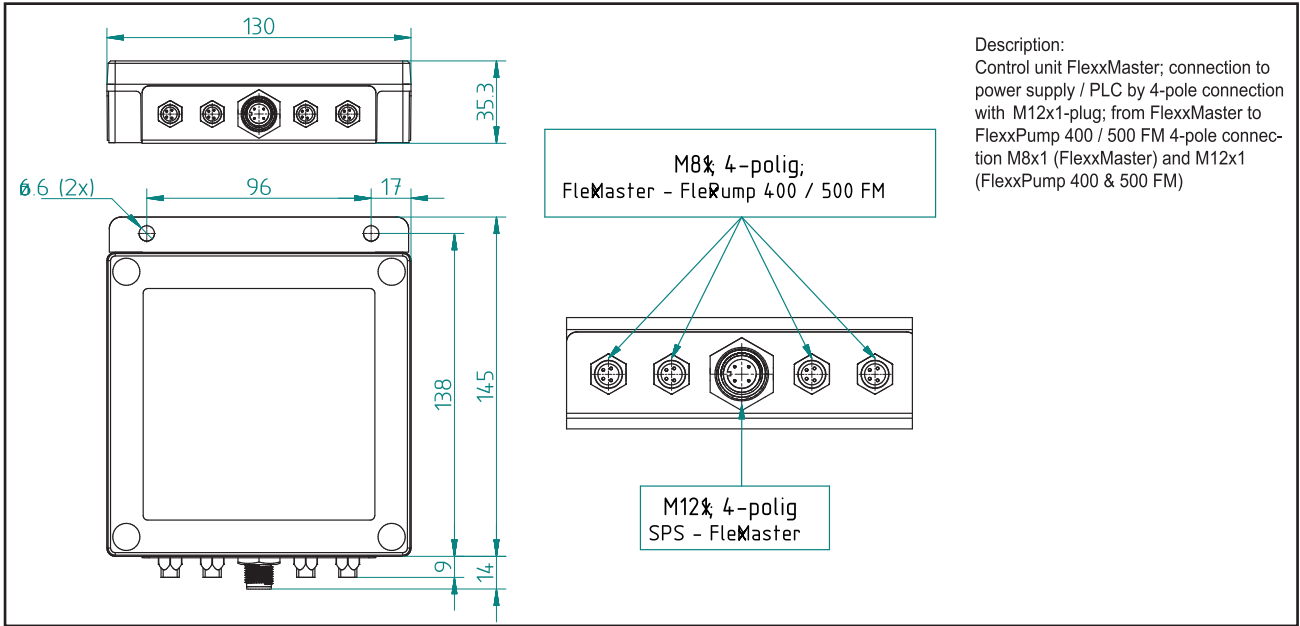


Types of FlexxPump 400 / 500 FM

Variante	Fett / Öl	Typ Flexx-Pump	Anzahl Auslässe	Anzahl Doppelpumpen-körper	Anzahl Schmierstellen ^{*/**}	Unterschiedliche Schmiermengen	Überwachung & Steuerung via...	Artikel-Nr.
Variants	Grease / Oil	Type Flexx-Pump	number of outlets	number of twin-pump-bodies	Number of lubrication points ^{*/**}	Combination different quantities lubricant	Controlling & monitoring by ...	Part-No.
		FlexxMaster	--	--	--	--	--	135-000-200
FlexxMaster	Grease	401 FM	1	1	max. 4	--	FlexxMaster	135-140-200
		402 FM	2	1	max. 8	--	FlexxMaster	135-240-200
		422 FM	2 (1+1)	2	max. 8	++ (1/1)	FlexxMaster	135-240-202
		403 FM	3 (1+2)	2	max. 12	++ (2/1)	FlexxMaster	135-340-200
		404 FM	4 (2+2)	2	max. 16	++ (2/2)	FlexxMaster	135-440-200
* by using splitters								
** more lubrication-points by using progressive-distributors.								

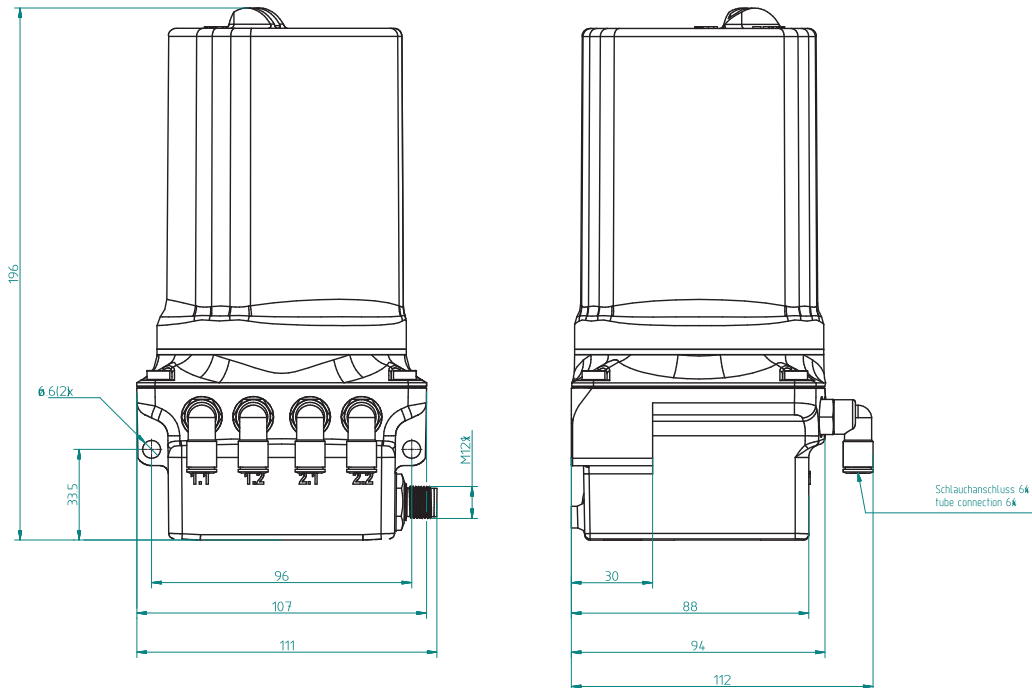


3.5 FlexxPump 400 FM / 500 FM (FlexxMaster)



Cable for FlexxMaster

		Anzahl Pole	L	Anwendung	Artikel-Nr.
		Number of wires		Application	Part-No.
M12x1	M8x1	4	5000	FlexxMaster - FlexxPump 400 / 500 FM	134-002-008
M12x1	M8x1		10000		134-002-009
M12x1	offen	4	5000	PLC	134-002-003
M12x1			10000		134-002-007
M12x1			15000		on demand
M12x1			20000		
M12x1			30000		
M12x1			50000		

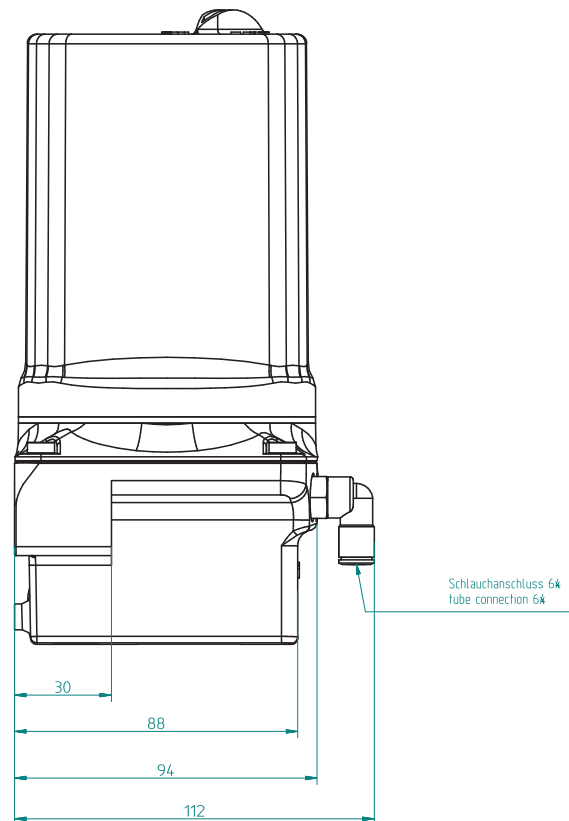
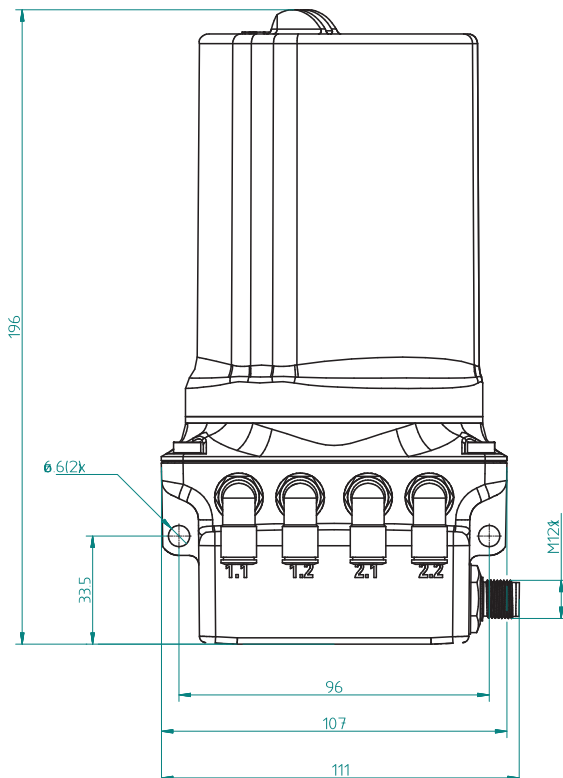


3.6 FlexxPump 400 DLS / 500 DLS

- ✓ automatical, puls-driven relubrication unit
- ✓ direct controlled by PLC (incl. error-monitoring)
- ✓ Piston-pump (1-2 pumpbodies)
- ✓ Greases and oil up to NLGI 3 (also solid particels)
- ✓ 1-4 outlets; max. 16 lubrication points ^{*/**}
- ✓ different times and/or quantities of lubricant
- ✓ Pressure: up to 70 bar
- ✓ 400cc grease in cartridge
- ✓ Low weigth and minimal current consumption
- ✓ Suitable for combinend relubrication of:
 - + (rolling-) bearings
 - + linear guidance
 - + ball screw nuts
 - + racks & pinions
 - + rotary joints
 - + ...



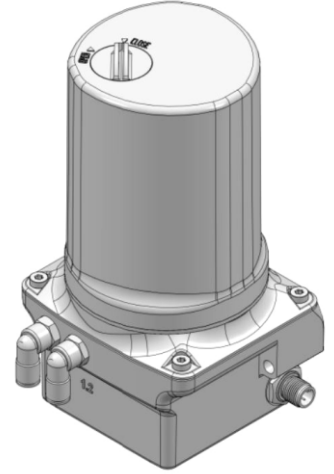
FlexxPump 400 DLS: impuls-gesteuerter Nachschmiergeber für bis zu 16 Schmierstellen; 400 cm³ Kartusche; 24 VDC (abgebildet: Typ 404 DLS)



3.6 FlexxPump 400 DLS / 500 DLS

Technische Daten

Dimensions	112 x 196 x 94 [mm] B x H x T W x H x D
Weight (without lubricant)	ca. 1,1 kg
Function/principle	Kolbenpumpe piston pump
Volume of lubricant	Grease 400 cm ³ (in Kartusche 400 cc in cartridge)
	Oil 500 cm ³ (direkt egefüllt directly filled in)
Delivered volume per stroke / pulse	outlet 0,15 cm ³ - Typen: 401/501 types: 401/501
	outlets 0,15 cm ³ - Typen: 402/422/502/522 types: 402/422/502/522
	outlets 0,15 cm ³ - Typen: 403/503 types: 403/503
	outlets 0,15 cm ³ - Typen: 404/504 types: 404/504
Number of pump hubs / cartridge 400 cc	ca. 2700 apx. 2700
Operation pressure	max. 70 bar up to 70 bar
Lubricant	bis NLGI Klasse 3, mit Feststoffanteilen möglich up to NLGI 3, with solid parts possible
Operating temperature	-25°C...+70°C
Number of outlets	max. 4 rechtwinklig und drehbar right-angled and turnable
Number of lubrication points	max. 16 ^{*/**} up to 16 ^{*/**}
Lube-connection	PA-Schlauch PA-tube
Operating voltage	24V DC (über Kabel via cable)
Connecting plug	M12 x 1, 4-polig M12 x 1, 4-pin
Current consumption at 24V DC	I _{max} ≤ 350 mA
Installation position	Grease beliebig any
	Oil senkrecht upright
Control	integrated mikroelektronisch microelectronic
	external SPS PLC
Pressure monitoring	integriert, elektronisch integrated, electronic
Fill level monitoring	integriert, Reedkontakt integrated, reed contact
Error-signal	differenziert: Leerstand/Gegendruck/interner Fehler sophisticated: cartridge empty / backpressure / internal error
	PLC optional: Winkelstecker mit LED-Anzeigen (134-002-014 / -015)
IP class	optional: LED-Connector 90° (134-002-014 / -015)
Material housing	IP 65 Zink, Polyamid Zinc, polyamide



Types of FlexxPump 400 DLS / 500 DLS

Variante	Fett / Öl	Typ Flexx-Pump	Anzahl Auslässe	Anzahl Doppelpumpen-körper	Anzahl Schmierstellen ^{*/**}	Unterschiedliche Schmiermengen	Überwachung & Steuerung via...	Firmware FlexxPump	Artikel-Nr.
Variants	Grease / Oil	Type Flexx-Pump	Number of outlets	Number of twin-pump-bodies	Number of lubrication points ^{*/**}	Combination different quantities lubricant	Controlling & monitoring by ...	Firmware FlexxPump	Part-No.
pulse-controlled	Grease	401 DLS	1	1	max. 4	--	PLC	D2	135-140-210
		402 DLS	2	1	max. 8	--	PLC	D2	135-240-210
		422 DLS	2 (1+1)	2	max. 8	++ (1/1)	PLC	D2	135-240-212
		403 DLS	3 (1+2)	2	max. 12	++ (2/1)	PLC	D2	135-340-210
		404 DLS	4 (2+2)	2	max. 16	++ (2/2)	PLC	D2	135-440-210
* by using splitters									
** more lubrication-points by using progressive-distributors.									

On demand: FlexxPump 400 DLS with lubricant as ready-to-install available.

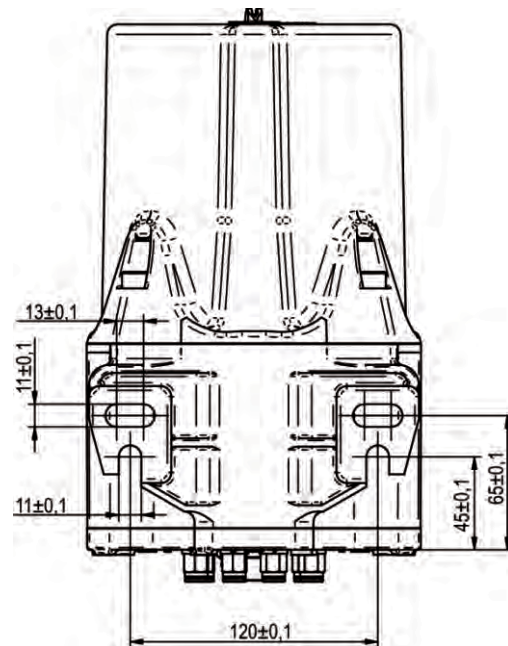
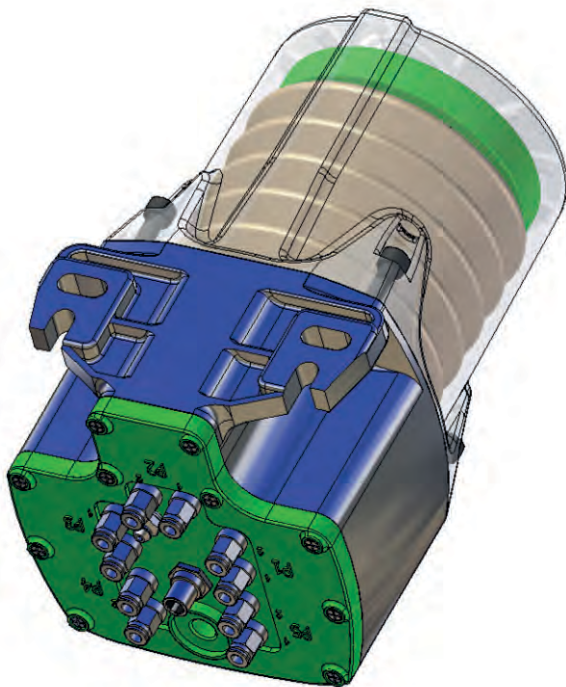


3.7 FlexxPump 1500 DLS / 2000 DLS

- ✓ time-controlled or puls-driven relubrication unit
- ✓ direct controlled by PLC (incl. error-monitoring)
- ✓ piston-pump (1-5 pumpbodies)
- ✓ Greases or oil up to NLGI 3 (also solid particels)
- ✓ 2-10 outlets
- ✓ different times and/or quantities of lubricant
- ✓ pressure: max. 70 bar
- ✓ 1500cc grease in bellow/pouch
- ✓ low weigth and minimal current consumption
- ✓ suitable for combinend relubrication of:
 - + (rolling-) bearings
 - + linear guidance
 - + ball screw nuts
 - + racks & pinions
 - + rotary joints
 - + ...



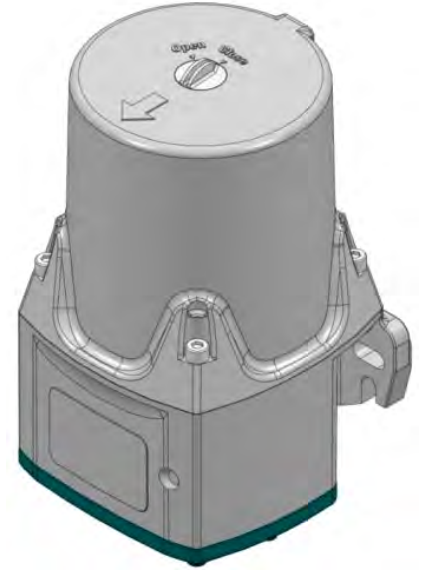
FlexxPump 1500: automatischer Nachschmiergeber; für 1500 cm³ Fett-Faltenbalg; 24 VDC (abgebildet: Typ 1510)



3.7 FlexxPump 1500 DLS / 2000 DLS

Technische Daten

Dimensions		162 x 255 x 165 [mm] B x H x T W x H x D
Weight (without lubricant)		ca. 4 kg
Function / Principle		Kolbenpumpe Piston pump
Volume of lubricant	Grease	1500 cm ³ (im Faltenbalg) 1500 cc (in bellow)
	Oil	2000 ml (direkt eingefüllt) 2000 ml (directly filled-in)
Delivered volume per stroke / pulse	outlets	0,15 cm ³ - Typen: 1502/2002 types: 1502/2002
	outlets	0,15 cm ³ - Typen: 1504/2004 types: 1504/2004
	outlets	0,15 cm ³ - Typen: 1506/2006 types: 1506/2006
	outlets	0,15 cm ³ - Typen: 1508/2008 types: 1508/2008
	outlets	0,15 cm ³ - Typen: 1510/2010 types: 1510/2010
		~ 10000
Number of pump hubs / bellow 1500 cm ³		
Operation pressure		max. 70 bar up to 70 bar
		bis NLGI 2, mit Feststoffanteilen möglich
Lubricant	Oil or Grease	up to NLGI 2, with solid parts possible
Operating temperature		-20°C...+70°C
Number of outlets		max. 10 gerade straight
Number of lubrication points		max. 40 */**
Lube-connection		PA-Schlauch, T=6x4 PA-tube, t=6x4
Operating voltage		24V DC (über Kabel via cable)
Connecting plug		M12 x 1, 4-polig M12 x 1, 4-pin
Current consumption at 24V DC		I _{max} ≤ 350 mA
Installation position	Grease	beliebig any
	Oil	senkrecht upright
Control	integrated	mikroelektronisch microelectronic
		intern: Zeitsteuerung; extern: SPS
	internal / external	internal: time-controlled; external: PLC
Pressure monitoring		integriert, elektronisch integrated, electronic
Fill level monitoring		integriert, Reedkontakt integrated, reed contact
Error-signal		differenziert: Leerstand/Gegendruck/interner Fehler
	PLC	sophisticated: bellow empty/backpressure/internal error
	optical	LCD-Display LCD-display
IP class		IP 54
Material housing		Aluminium, Polyamid aluminium, polyamide

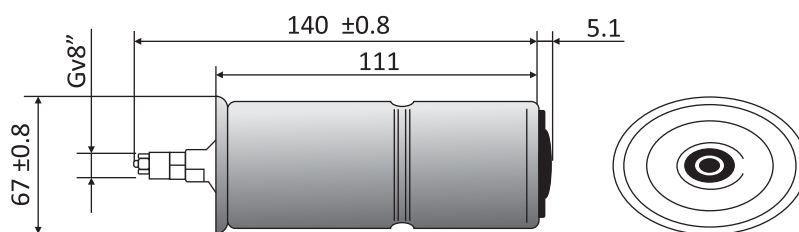


Types of FlexxPump 1500 DLS / 2000 DLS

Variante	Fett / Öl	Typ Flexx-Pump	Anzahl Auslässe	Anzahl Doppelpumpen-körper	Anzahl Schmierstellen**	unterschiedliche Schmiermengen	Überwachung via...	Steuerung via ...	Artikel-Nr.
Variants	Grease / Oil	Type Flexx-Pump	Number of outlets	Number of twin-pump-bodies	Number of lubrication points**	Combination of different quantities lubricant	Monitoring by ...	Controlled by ...	Part-No.
pulse-controlled time-controlled	Grease	1502	2	1	max. 8	1	PLC	PLC	540-202-100
		1504	4	2	max. 16	2	PLC	PLC	540-404-200
		1506	6	3	max. 24	3	PLC	PLC	540-606-300
		1508	8	4	max. 32	4	PLC	PLC	540-808-400
		1510	10	5	max. 40	5	PLC	PLC	541-010-500
Merging outlets with Y-tube-connector 134-002-000!									
* by using splitters									
** more lubrication-points by using progressive-distributors.									



سیستم گریس کاری سرخود (برای مکان هایی که فاصله از پمپ اصلی و برق زیاد است)



Relubrication Unit MicroMax 120

Part-No.	Description
135-121-006	with grease F01 ; runing time 6 months
135-121-009	with grease F01 ; runing time 9 months
135-121-012	with grease F01 ; runing time 12 months
135-121-018	with grease F01 ; runing time 18 months
135-121-024	with grease F01 ; runing time 24 months
135-121-036	with grease F01 ; runing time 36 months

Relubrication Unit MicroMax 120 External

Part-No.	Description
135-121-106	with grease F01 ; runing time 6 months
135-121-109	with grease F01 ; runing time 9 months
135-121-112	with grease F01 ; runing time 12 months
135-121-118	with grease F01 ; runing time 18 months
135-121-124	with grease F01 ; runing time 24 months
135-121-136	with grease F01 ; runing time 36 months

Relubrication Unit MicroMax 120

Part-No.	Description
135-122-006	with grease F02 ; runing time 6 months
135-122-009	with grease F02 ; runing time 9 months
135-122-012	with grease F02 ; runing time 12 months
135-122-018	with grease F02 ; runing time 18 months
135-122-024	with grease F02 ; runing time 24 months
135-122-036	with grease F02 ; runing time 36 months

Relubrication Unit MicroMax 120 External

Part-No.	Description
135-122-106	with grease F02 ; runing time 6 months
135-122-109	with grease F02 ; runing time 9 months
135-122-112	with grease F02 ; runing time 12 months
135-122-118	with grease F02 ; runing time 18 months
135-122-124	with grease F02 ; runing time 24 months
135-122-136	with grease F02 ; runing time 36 months

