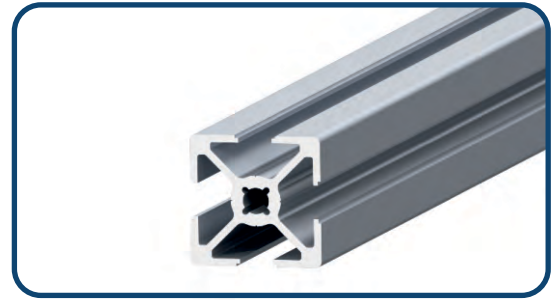
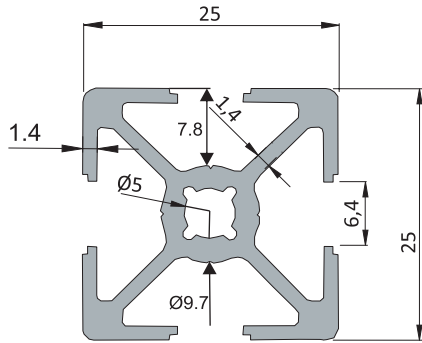
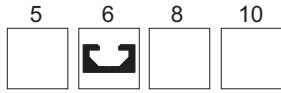


OBC-25*25



Part No.	Wy cm ³	Wx cm ³	Ly cm ⁴	Lx cm ⁴	L mm	coating	Material	Area cm ²	Weight kg/m
OBC-25*25	1.11	1.11	1.39	1.39	6000	Anodizad	AL-6063	2.12	0.55

L(Standard) : 6050 mm



