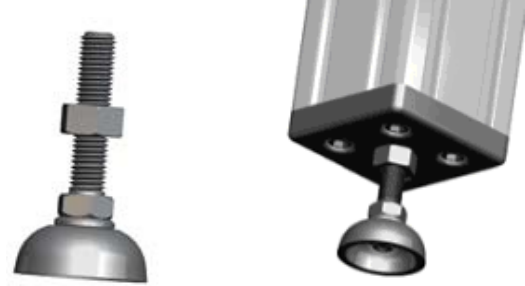
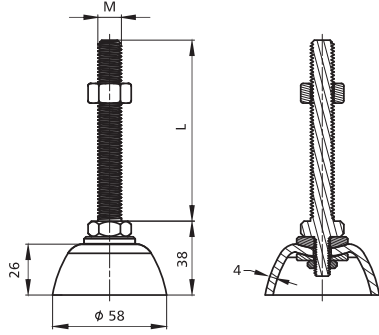


## Alu Profile Accessories/Leveling Feet



Item No.	M	L	Base Material	Bolt Material	Max.Load(kg)	PCS/CTN	KGS/CTN	CTN SIZE (mm)
3038-6-70	M12	70	Heavy Steel,Zinc Blue	Steel,Zinc Blue	770	40	9.8	225*170*180
3038-6-130	M12	130			770	25	7.3	225*170*180
3038-5-52	M10	52			470	50	10.55	225*170*180
3038-8-72	M16	72			1000	35	10.75	225*170*180
3038-8-132	M16	132			1000	25	9.85	225*170*180

