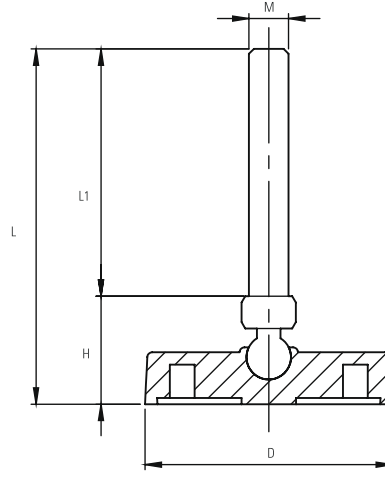


EP10 SERIES (19 - 22 SW) Ø100 Polyamide Articulated Feet

CODE	D (mm)	M	L (mm)	L1 (mm)	H (mm)	Load kg / pcs
EP10 1050	100	M10x50	100	50	50	800
EP10 1010	100	M10x100	150	100	50	800
EP10 1250	100	M12x50	100	50	50	800
EP10 1210	100	M12x100	150	100	50	800
EP10 1660	100	M16x60	110	60	50	800
EP10 1611	100	M16x110	160	110	50	800
EP10 1615	100	M16x150	200	150	50	800
EP10 1620	100	M16x200	250	200	50	800
EP10 2011	100	M20x110	160	110	50	800
EP10 2015	100	M20x150	200	150	50	800
EP10 2020	100	M20x200	250	200	50	800
EP10 2411	100	M24x110	160	110	50	800



(Floor mount option)

Material: GLASS FIBER REINFORCED POLYAMID BASE

Metal: ST 37

Coating: WHITE CR + 3 COATED PLATE

Add (L) to the standard product code for the anti-slip rubber pad and (S) for the addition of nut

