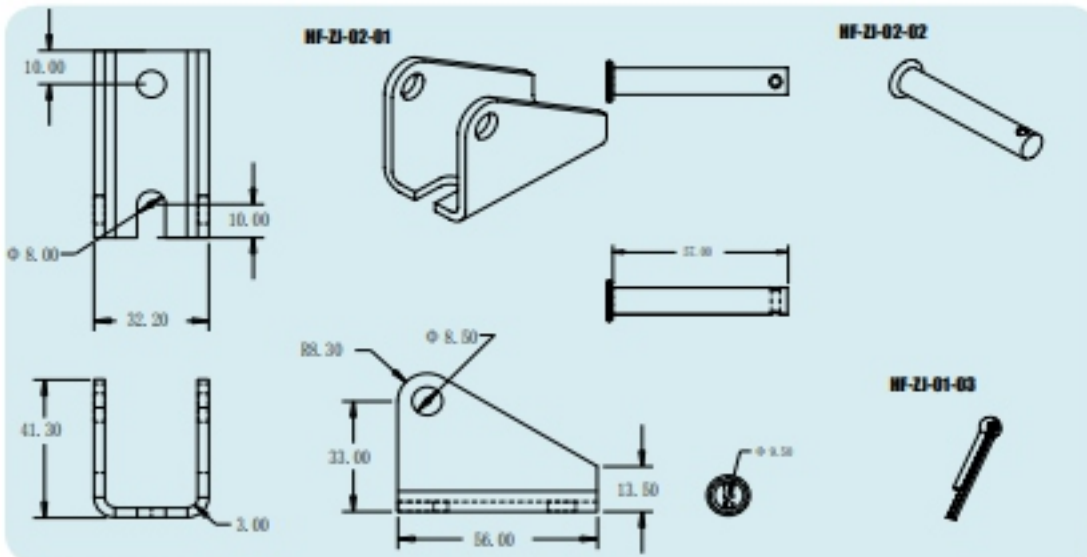


## HF-ZJ-02

### Product introduction

A3 material; stamping article; PE coated; 3MM thick; bearing 2500N push and pull pressure; equipping  $\phi 9.5\text{MM}$  screw and open pin. This mounting bracket could simplify electric linear actuator installation way, which changes the hole mounting into surface mounting which is suitable for TGB, TGB-L, TGD series.

### Product drawings



### mounting way



### Order illustration

Customers could directly order this bracket through its model NO:HF-ZJ-02, if mounted on electric linear actuator,  $\phi 10\text{mm}$  through-hole should be opened on pushrod. This mounting bracket-HF-ZJ-02 contains one HF-ZJ-02-01 and one HF-ZJ-02-02 and one HF-ZJ-02-03.