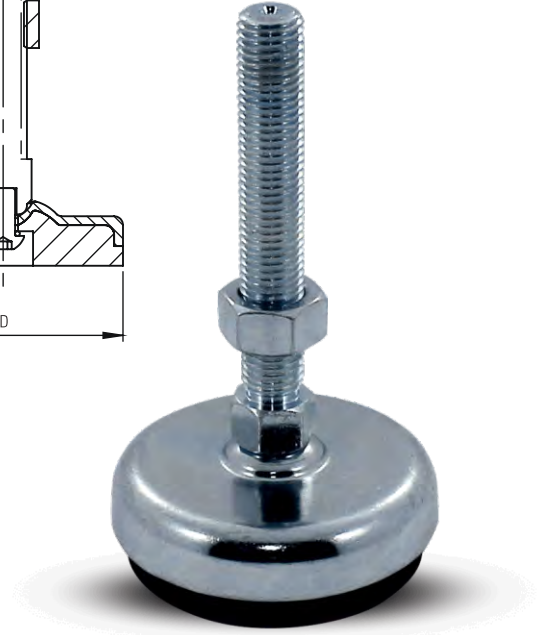
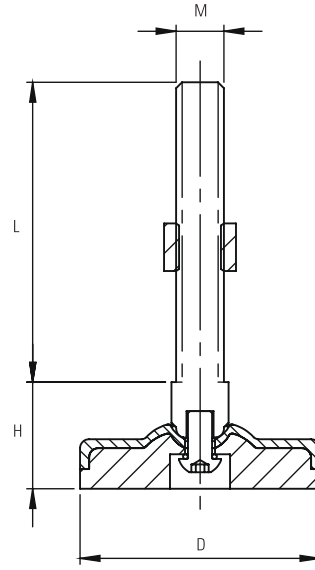


EKL SERIES Zinc Plated Leveling Feet

CODE	D (mm)	M	L (mm)	H (mm)	Load kg / pcs
EKL 04 1050	40	M10x50	50	26	100
EKL 04 1250	40	M12x50	50	28	100
EKL 06 1050	65	M10x50	50	28	250
EKL 06 1270	65	M12x70	70	30	300
EKL 06 1610	65	M16x100	100	32	400
EKL 08 1210	80	M12x100	100	42	400
EKL 08 1610	80	M16x100	100	45	500
EKL 08 2010	80	M20x100	100	45	600
EKL 10 1210	100	M12x100	100	42	350
EKL 10 1610	100	M16x100	100	45	600
EKL 10 2010	100	M20x100	100	45	800
EKL 12 1210	120	M12x100	100	45	500
EKL 12 1610	120	M16x100	100	47	800
EKL 12 2015	120	M20x150	150	50	1000
EKL 16 1610	160	M16x100	100	50	2000
EKL 16 2015	160	M20x150	150	53	3000
EKL 20 2015	200	M20x150	150	62	4000



ZINC PLATED LEVELLING FEET

Antislip rubber, black NBR 70 Shore
Pressed base in zinc plated steel.

APPLICATIONS

Conveyors, automation systems, packaging machines, chemical plants.

