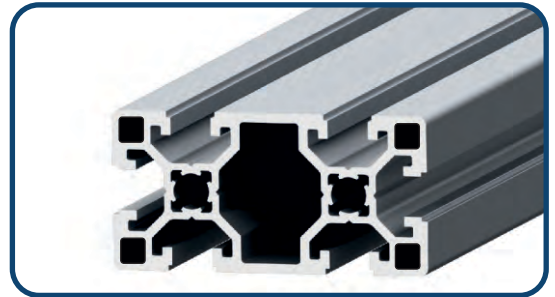
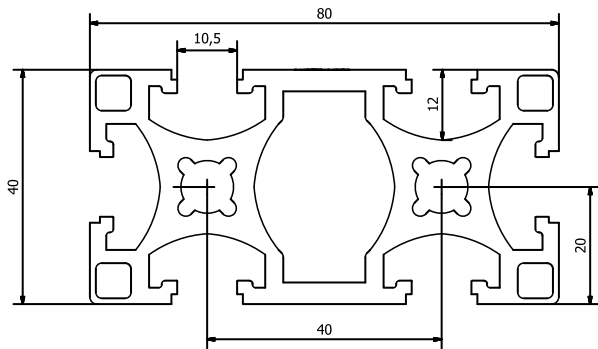
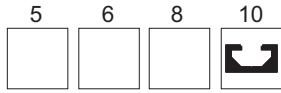


## OBC-40\*80 L سبک



Part No.	Wy cm <sup>3</sup>	Wx cm <sup>3</sup>	Ly cm <sup>4</sup>	Lx cm <sup>4</sup>	L mm	coating	Material	Area cm <sup>2</sup>	Weight kg/m
OBC-40*80 L	8.6	14.4	14.9	62.9	6000	Anodizad	AL-6063	10.23	2.76

L(Standard) : 6050 mm



