

Model	Matching Drivers
20CM003	EM3E-522 / EM415S
20CM005	EM3E-522 / EM415S
28CM006	EM3E-522 / EM415S
28CM010	EM3E-522 / EM415S
28CM013	EM3E-522 / EM415S
35CM015	EM3E-522 / EM415S
35CM04	EM3E-522 / EM415S
42CM02	EM3E-522 / EM415S / EM542S / Em402 / Dm422
42CM02-1A	EM3E-522 / EM415S / EM542S / Em402 / Dm422
42CM04	EM3E-522 / EM415S / EM542S / Em402 / Dm422
42CM04-1A	EM3E-522 / EM415S / EM542S / Em402 / Dm422
42CM06	EM3E-522 / EM3E-542 / EM542S / Mx3660 / Mx4660 / Em402 / Em503 / Dm422 / Dm556
42CM06-1A	EM3E-522 / EM3E-542 / EM415S / EM542S / Em402 / Dm422
42CM08	EM3E-522 / EM3E-542 / EM542S / Mx3660 / Mx4660 / Em402 / Em503 / Dm422 / Dm556
42CM08-1A	EM3E-522 / EM3E-542 / EM415S / EM542S / Em402 / Dm422
57CM06	EM3E-542/EM3E-556/EM542S/EM556S/Mx3660/Mx4660/Em503/Dm556/Dm856/DM805-AI
57CM13	EM3E-542/EM3E-556/EM542S/EM556S/MX3660/MX4660/DM556/DM856/DM805-AI
57CM13-3A	EM3E-542/EM3E-556/EM542S/EM556S/MX3660/MX4660/EM503/EM705/DM556/DM856/DM870/DM805-AI
57CM23	EM3E-556/EM3E-870/EM556S/MX3660/MX4660/EM705/DM556/DM856/DM870/DM805-AI
57CM23-3A	EM3E-542/EM3E-556/EM542S/EM556S/MX3660/MX4660/EM503/EM705/DM556/DM856/DM870/DM805-AI
57CM23-4A	EM3E-556/EM3E-870/EM556S/MX3660/MX4660/EM705/DM556/DM856/DM870/DM805-AI
57CM23-4A-0-I6	EM3E-556/EM3E-870/EM556S/MX3660/MX4660/EM705/DM556/DM856/DM870/DM805-AI
57CM26	EM3E-556/EM3E-870/EM556S/MX3660/MX4660/EM705/DM556/DM856/DM870/DM805-AI
57CM26-4A	EM3E-556/EM3E-870/EM556S/MX3660/MX4660/EM705/DM556/DM856/DM870/DM805-AI
57-CM26-4A-0-I6	EM3E-556/EM3E-870/EM556S/MX3660/MX4660/EM705/DM556/DM856/DM870/DM805-AI
D57CM21	E,3E-556/EM3E-870/EM556S/MX3660/MX4660/EM705/EM806/DM856/DM805-AI
D57CM21-4A	EM3E-556/EM3E-870/EM556S/MX3660/MX4660/EM503/EM705/EM806/DM556/DM856/DM870/DM805-AI



Model	Matching Drivers
D57CM31	EM3-556/EM3E-870/EM556S/MX3660/MX4660/EM705/EM806/DM856/DM805-AI
D57CM31-4A	EM3E-556/EM3E-870/EM556S/MX3660/MX4660/EM503/EM705/EM806/DM556/DM856/DM870/DM805-AI
D57CM31-4A-0-I9	EM3E-556/EM3E-870/EM556S/MX3660/MX4660/EM503/EM705/EM806/DM556/DM856/DM870/DM805-AI
60CM22X	EM3E-556/EM3E-870/EM556S/MX3660/MX4660/EM705/EM806/DM556/DM856/DM870/DM805-AI
60CM30X	EM3E-556/EM3E-870/EM556S/MX3660/MX4660/EM705/EM806/DM556/DM856/DM870/DM805-AI
86CM35	EM3E-556/EM3E-870/EM556S/MX3660/MX4660/EM705/EM806/DM856/DM870/DM805-AI
86CM45	EM3E-870/MX3660/MX4660/EM705/EM806/DM856/DM870/DM805-AI
86CM80	EM3E-870/EM705/EM806/DM870/DM805-AI/DM1182/DM2282
86CM85	EM3E-870/EM705/EM806/DM870/DM805-AI/DM1182/DM2282
86CM120	EM3E-870/EM705/EM806/DM870/DM805-AI/DM1182/DM2282

Model	Matching Drivers
57CM13-BZ	EM3E-542/EM3E-556/EM3E-870/EM542S/EM556S
57CM23-BZ	EM3E-542/EM3E-556/EM3E-870/EM542S/EM556S
86CM45-BZ	EM3E-870
86CM85-BZ	EM3E-870
57HS13B-DJ	EM3E-542/EM3E-556/EM3E-870/EM542S/EM556S
57HSB21A	EM3E-556/EM3E-870/EM542S/EM556S
86HSB45E	EM3E-870/DM870
86HSB85E	EM3E-870/DM870



NEMA 23(Continious) 2-phase

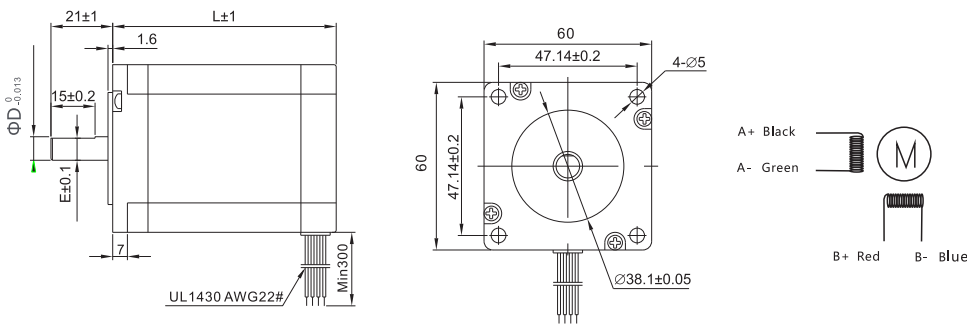
Overview:

CM series larger NEMA 23 two-phase stepper motors have the external size of NEMA 24 motor, but the installation of NEMA 23 motors. there are two types of standard motors: 2.1 N.m and 3.1 N.m.



Standard Models:

Length (mm)	Model	Holding Torque (N.m)	Rate Current (A)	Resistance/Phase(Ω)	Inductance/Phase(mH)	Detent Torque(N.m)	Inertia (Kg cm ²)	Matching Drives
67	D57CM21-4A	2.1	4	0.5	1.77	0.09	0.57	EM556S
	D57CM21	2.1	5	0.21	0.75			EM556S/EM870S
88	D57CM31-4A	3.1	4	0.62	2.8	0.10	0.84	EM556S
	D57CM31	3.1	5	0.26	1.18			EM556S/EM870S

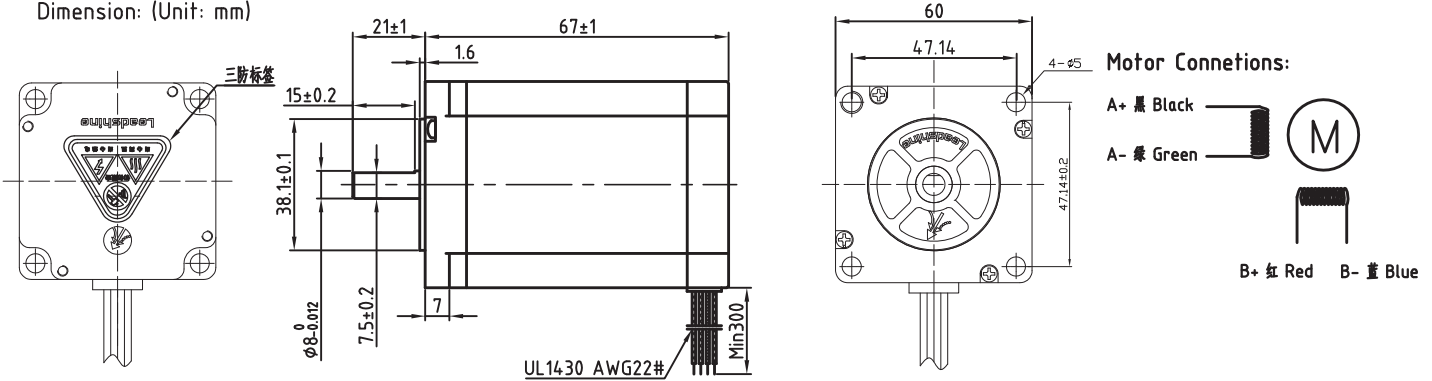


Model	L(mm)	D(mm)	E(mm)
D57CM21	67	8	7.5
D57CM31	88	8	7.5

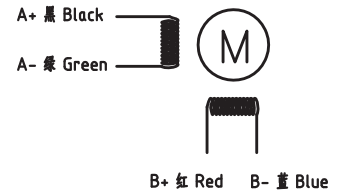


D57CM21

Dimension: (Unit: mm)



Motor Connctions:



Common Rating

Step angle	1.8°
Position accuracy	1.8±0.09°
Dielectric strength	500VAC 1min
Insulation resistance	100MOhm(500VDC)
Insulation class	B
Temp rise(Max)	80K
Radial play	Max.0.02mm(Load 450g)
Axial play	Max.0.08mm(Load 900g)

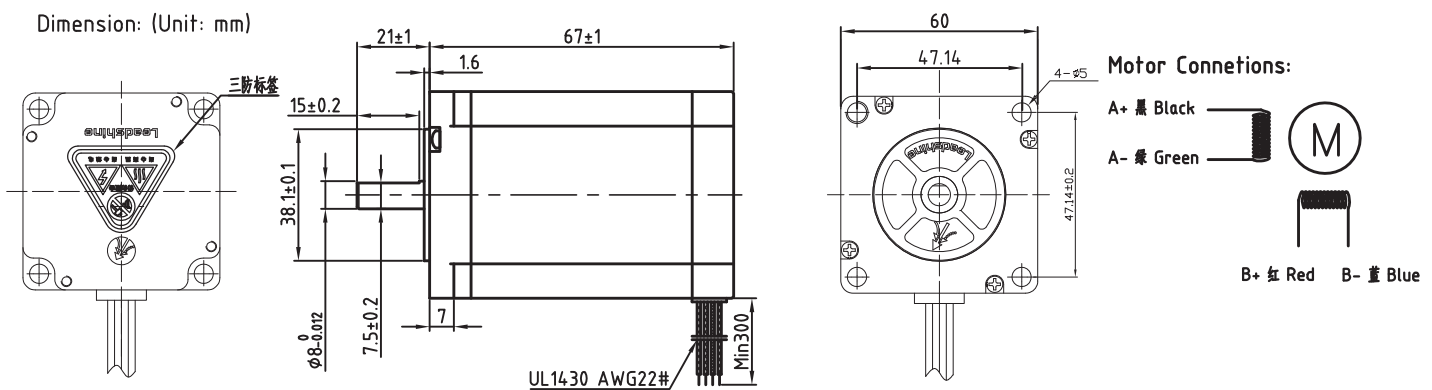
Specification:

Current/phase	5.0 A
Voltage	1.6 V
DC Resistance/phase ±10%	0.32 Ω
Inductance/phase ±20%	0.75 mH
Holding torque	2.1 N·M
Inertia	0.57 kg·cm ²
Weight	1.2 kg

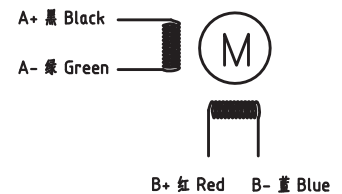


D57CM21-4A

Dimension: (Unit: mm)



Motor Connctions:



Common Rating

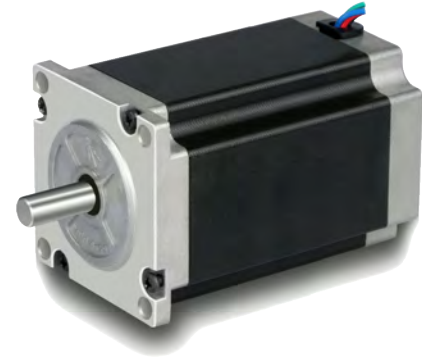
Step angle	1.8°
Position accuracy	1.8±0.09°
Dielectric strength	500VAC 1min
Insulation resistance	100MOhm(500VDC)
Insulation class	B
Temp rise(Max)	80K
Radial play	Max.0.02mm(Load 450g)
Axial play	Max.0.08mm(Load 900g)

Specification:

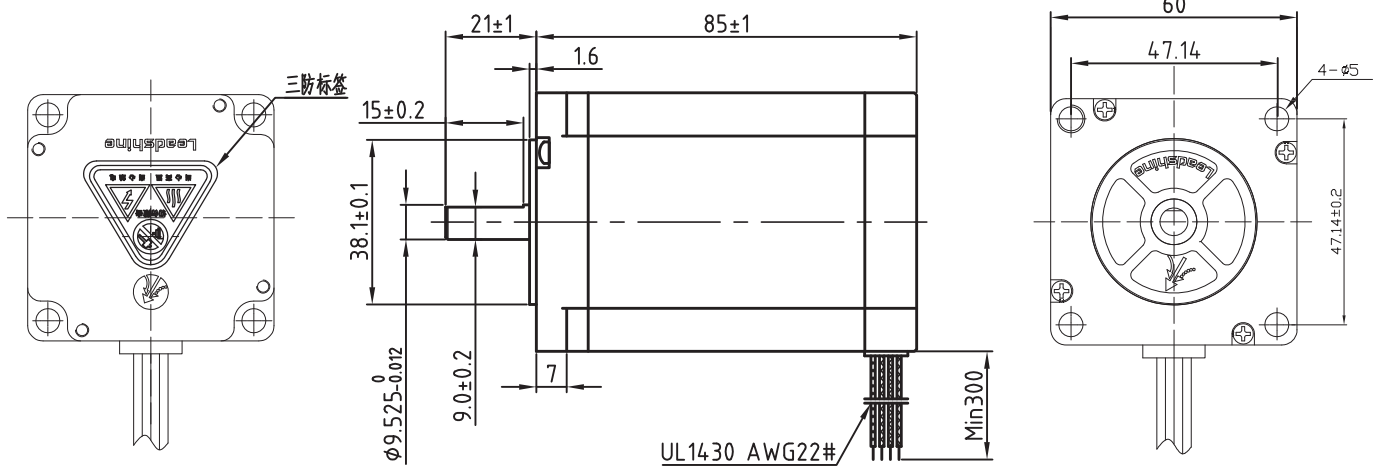
Current/phase	4.0 A
Voltage	2.0 V
DC Resistance/phase ±10%	0.5 Ω
Inductance/phase ±20%	1.77 mH
Holding torque	2.1 N·M
Inertia	0.57 kg·cm ²
Weight	1.2 kg



D57CM31-4A-0-I9



Dimension: (Unit: mm)



Common Rating

Step angle	1.8°
Position accuracy	1.8±0.09°
Dielectric strength	500VAC 1min
Insulation resistance	100MΩ(500VDC)
Insulation class	B
Temp rise(Max)	80K
Radial play	Max.0.02mm(Load 450g)
Axial play	Max.0.08mm(Load 900g)

Specification:

Current/phase	4.0 A
Voltage	2.5 V
DC Resistance/phase ±10%	0.62 Ω
Inductance/phase ±20%	2.8 mH
Holding torque	3.1 N·M
Inertia	0.84 kg·cm ²
Weight	1.4kg

Motor Connctions:

