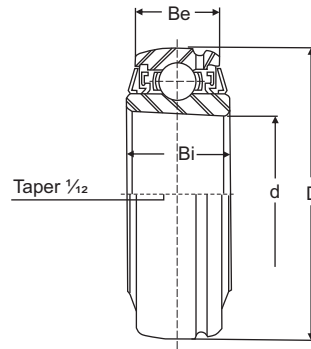


UK 2

Ball Bearings (with adapter mounted) (normal-duty)



TRL type seal



SR type seal

Bearing No.	Bore Dia of Bearing	Dimensions (mm)				Basic Load Rating kg.	Basic Load Rating kg.	Weight kg.
	d (mm)	D	Bi	Be	BL			
UK 205	25	52	23	17	24	1400	790	0.16
UK 206	30	62	26	19	27	1950	1130	0.25
UK 207	35	72	27	20	30	2570	1540	0.37
UK 208	40	80	29	21	34	2910	1790	0.47
UK 209	45	85	30	22	36	3270	2040	0.52
UK 210	50	90	31	23	36	3510	2320	0.53
UK 211	55	100	33	25	40	4330	2940	0.80
UK 212	60	110	36	26	47	5240	3610	1.02
UK 213	65	120	38	28	47	5720	4000	1.34
UK 215	75	130	41	30	51	6740	4820	1.50
UK 216	80	140	44	32	55	7260	5300	1.96
UK 217	85	150	46	34	57	8390	6180	2.42
UK 218	90	160	48	36	63	9600	7140	3.00

