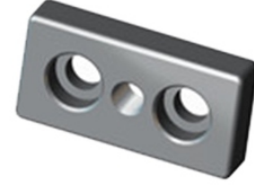
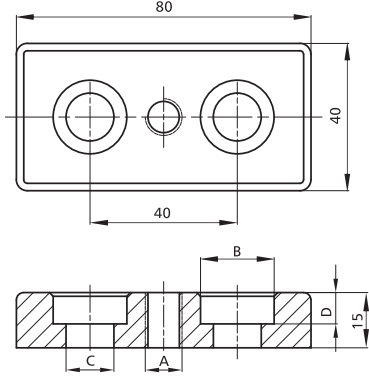


Alu Profile Accessories/Connectors/End Connectors



Item No.	A	B	C	D	Material	Finish	PCS/CTN	KGS/CTN	CTN SIZE(mm)
K4080-4-4	M8	Φ 15.5	Φ9(M8)	9	Die-Cast Alu	Dull Polished	100	10.20	225*170*180
K4080-4-5	M10						100	10.10	225*170*180
K4080-4-6	M12						100	9.95	225*170*180
K4080-4-7	M14						100	9.70	225*170*180
K4080-4-8	M16						100	9.30	225*170*180
K4080-6-4	M8	Φ 20	Φ13(M12)	8.5	Die-Cast Alu	Dull Polished	100	9.40	225*170*180
K4080-6-5	M10						100	9.30	225*170*180
K4080-6-6	M12						100	9.15	225*170*180
K4080-6-7	M14						100	9.00	225*170*180
K4080-6-8	M16						100	8.90	225*170*180

