

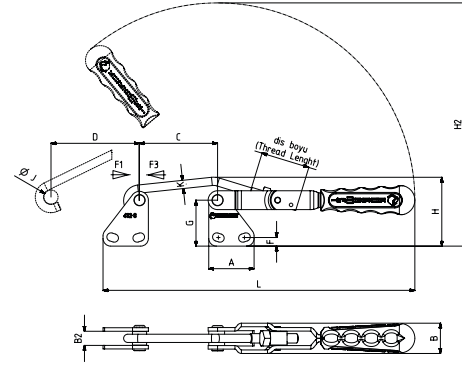
412



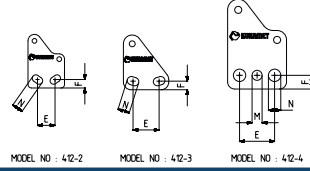
Latch Toggle Clamps With C Hook

MODEL NO	(STAINLESS)	(BLACK)	F1 (N)	F3 (N)	STROK (DIŞ BOYU) (STROKE) (thread length)	(WEIGHT) (gr)
412-2	S 412 -	B 412 -	1500	1800	35	210
412-3	S 412 -	B 412 -	2000	2500	41	325
412-4	S 412 -	B 412 -	3500	4000	55	860

F1: BASKI KUVVETİ (EXERTING FORCE), F3 : TUTMA KAPASİTESİ (HOLDING CAPACITY)
Paslanmaz C Kancalı ürünlerin çekme kuvvetleri %30 daha azdır. (Stainless steel latch clamp's tensile strength are %30 more less)



Body Mounting Base Vertical



MODEL NO	A	B	B2	C Min.	C Max.	D	E	F	G	H	H2	J	K	L Min.	L Max.	M	N
412-2	31	21,5	10	45	60	50	12 - 18	6 - 8	40	52	169	9	M6	200	215		6 x 9,5
412-3	38,5	25,5	12	60	75	80	19 - 25	7 - 7,5	39	57	205	12	M 8	255	270		7x10
412-4	50	34	16	75	100	130	30	11,5	67	88	280	16	M10	335	360	Ø 8,5	Ø 10,5

