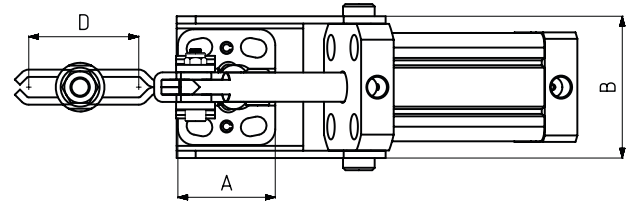
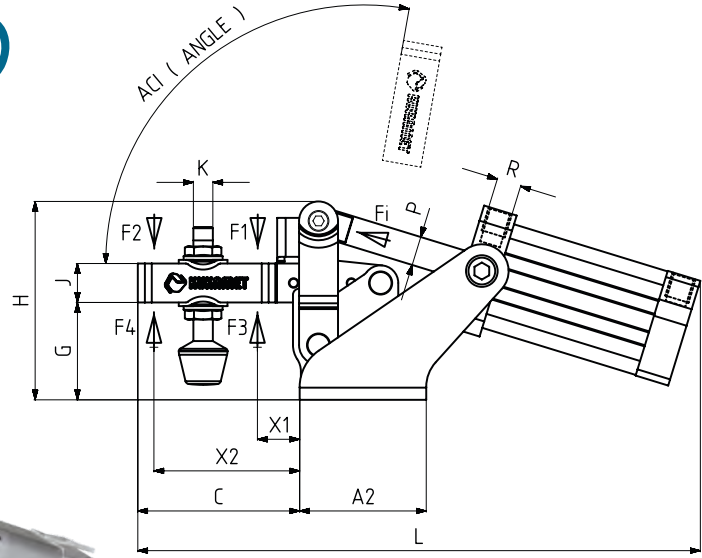


MODEL NO	F1 (N)	F2 (N)	F3 (N)	F4 (N)	Fi (N)	Vn (dm ³)	(ANGLE) (± 5°)	(WEIGHT) (gr)	BAR
612-2	1200	700	1400	925	300	0,25	95°	535	6
612-3	2000	1400	2500	1560	500	0,51	95°	860	6

F1 - F2 : BASKI KUVVETI (EXERTING FORCE) , F3 - F4 : TUTMA KAPASITESI (HOLDING CAPACITY) , Fi : UYGULAMA KUVVETI (APPLIED FORCE)

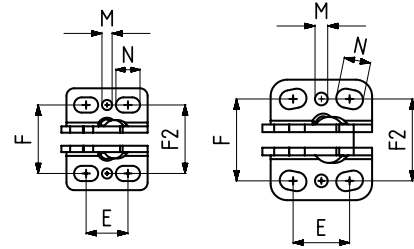
Vn , 6 BAR BASINÇTA ÇİFT HAREKET İÇİN HAVA TÜKETİM MİKTARIDIR (Vn , AIR CONSUMPTION PER DOUBLE STROKE IN dm³ AT 6 BAR)



Body Mounting Base Horizontal, Tied Front

With Square Piston and Sensor Slot

Pneumatic cylinders are double acting, magnetic and cushioning



MODEL NO : 612-2

MODEL NO : 612-3

MODEL NO	A	A2	B	C	D	E	F	F2	G	H	J	K	L	M	N	X1	X2	P	R	PISTON Ø
612-2	32	42	51	60	42	13 - 20	27	27	29	61	13	M6	203	Ø4	6 x 9,5	18	48	Ø10	G1/8	25
612-3	40	52	58	66,5	42	19 - 25	31,5 - 32,5	32,3	40	81,5	16	M8	231	Ø5	7,5 x 10,5	25	52	Ø12	G1/8	32



تلفن : (021) 33913364 - 33951660

فکس : (021) 33985603