

HE-P SPOT

The HE-P Spot luminaires are a compact LED lighting system in »Spot« design with a small footprint. The lamp head is made of anodized aluminum, the standard color is black, other colors are available on request.

For the installation of the HE-PSPOT luminaires, a recess must be provided to match the respective diameter, the attachment then takes place by means of a fastening screw and locknut.



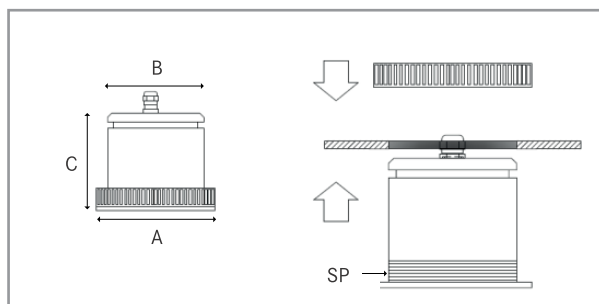
Types HE-P1 and HE-P3

Advantages of the HE-P LED Spot lights

- Space saving due to installation in the machine housing
- No interference contours, where chips, etc. can form
- Number of LED customizable - 1, 3 or 6 LEDs per head
- Different beam angles 8°, 25°, 40°, 60°
- Easy attachment with a locknut
- Robust design, shock and vibration resistant
- Resistant to commercial cooling lubricants
- Ambient temperature -20°C to + 55°C
- LED technology with up to 50,000 operating hours
- UL-certified



Typ HE-P6 mounted



Type	A Ø	B Ø	C	SP
HE-P1	40 mm	32 mm	31.5 mm	1.5 mm
HE-P3	55 mm	47 mm	45 mm	1.5 mm
H-P35	70 mm	63 mm	53 mm	3 mm
HE-P6	70 mm	63 mm	53 mm	3 mm



Version	Operating voltage	Number of LEDs	Input	Watt	Color temperature	Linse	LED Driver
HE-P1	24 VDC or 230 V	1	0.7 A	3 W	5000 K	8°, 25°, 40°, 60°	external 24 VDC and 230 V
HE-P3	24 VDC or 230 V	3	0.5 A	6 W	5000 K	8°, 25°, 40°	internal 24 VDC / external 230 V
H-P35	24 VDC or 230 V	3	0.5 A	6 W	5000 K	8°, 25°, 40°	internal 24 VDC / external 230 V
HE-P6	24 VDC or 230 V	6	0.5 A	12 W	5000 K	8°, 25°, 40°	internal 24 VDC / external 230 V

Supplied with cable lengths 1.5, 3, 5 or 10 m, cable end with 24 VDC connection with free stranded ends or M12 plug connector, P1 with M8 plug connector

