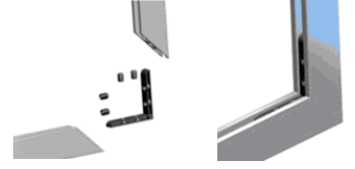
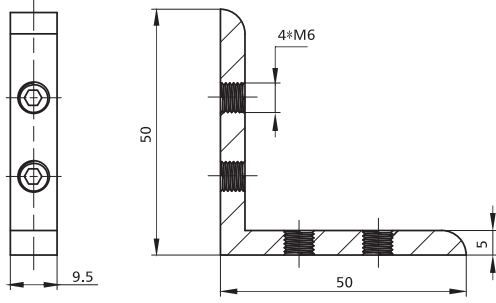


Alu Profile Accessories/Connectors/Inner Connectors



For Profile	Item No.	Material	Finish	PCS/CTN	KGS/CTN	CTN SIZE(mm)
FP-1530	2019	Die-cast zinc	Nickel Plated			225*170*180

