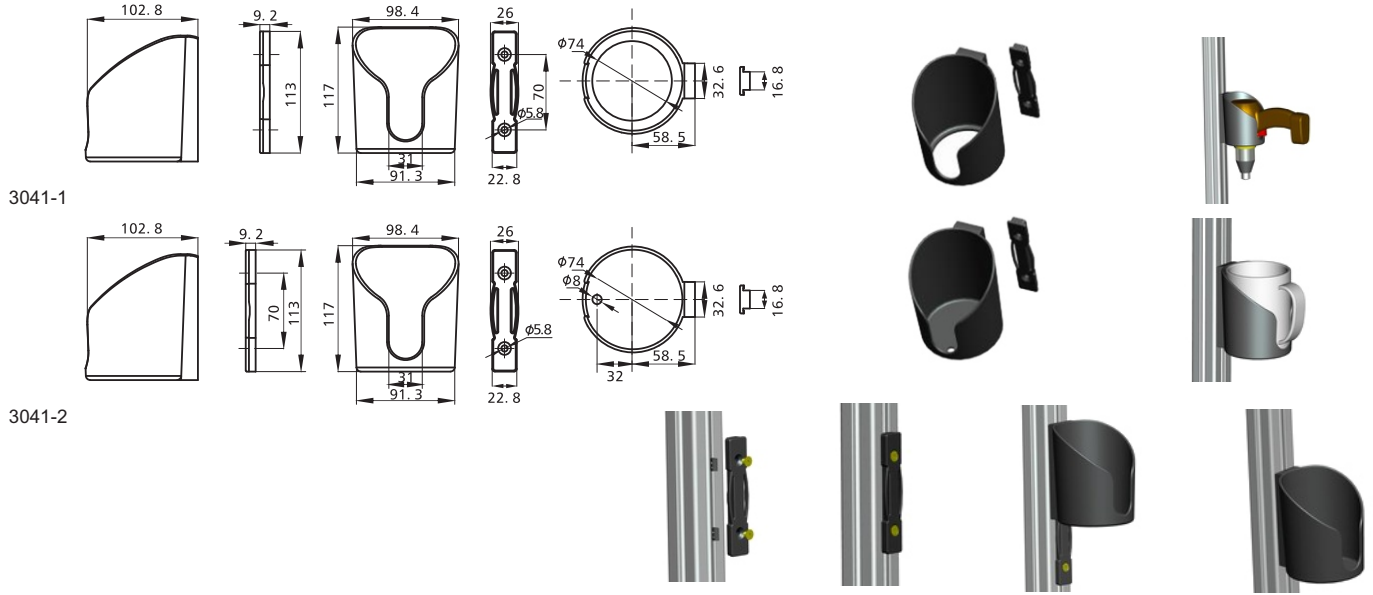


Alu Profile Accessories/Handles & Tool Hangers



| Item No. | Material | Finish | PCS/CTN | KGS/CTN | CTN SIZE(mm) |
|----------|----------|--------|---------|---------|--------------|
| 3041-1 | Nylon | Black | 25 | 4.65 | 450*350*180 |
| 3041-2 | Nylon | Black | 25 | 5.30 | 450*350*180 |

