

## Metal bellows coupling

### Optional stainless steel HUB



### Product presentation

BW high torque rigid metal bellows coupling

Metal corrugated pipe coupling is a good torque correction deviation,

high rigidity, convenient installation, high temperature resistant zero backlash coupling

Both end of shaft sleeve made of hard alloy production, high precision, light texture.

Intermediate high strength corrugated flexible metal tube connection, long service life.

### Application fields

Machine tool

Automation device

Industrial robot

CNC milling machine

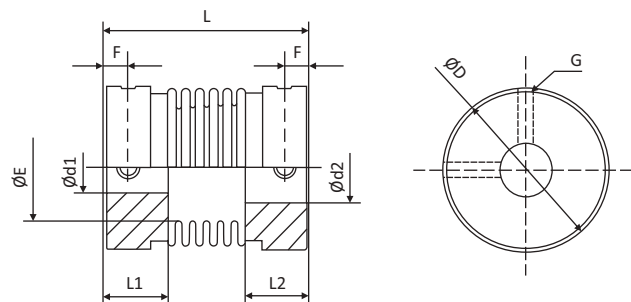
Rolling gear machine

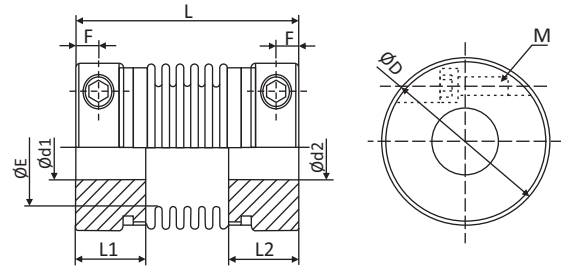
Engraving machine

Printing machinery

Packaging machinery

Textile machinery





Dimension : (mm)

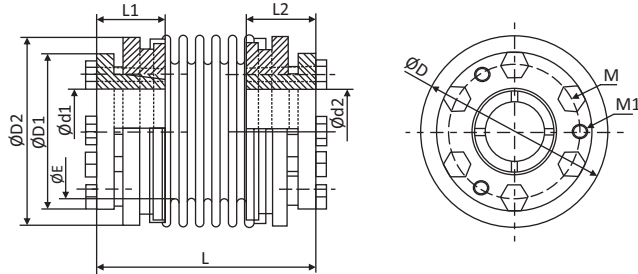
Specification :

Model	aperture				D	L	L1/L2	E	F	G	M	allowable deviation			Allowable speed (min <sup>-1</sup> )	Torsional stiffness (N.m/rad)	net weight (g)	Torque (N.m)	
	d1		d2									axial	radial	angular				Min	Max
	Min	Max	Min	Max															
BW16	4	8	4	8	16	27	9.2	9.5	3.5	M3	-	±0.30	0.10	1.5	20000	100	8	0.8	1.6
BW16C	4	7	4	7	16	30	10.5		3.8	M3	-	±0.30	0.10	1.5	18000	100	8	0.8	1.6
BW20	5	12	5	12	20	29	10.5	12.5	2.7	M3	-	±0.35	0.15	2.0	15000	160	12	1.5	3.0
BW20C	5	12	5	12	20	33	11.7		3.5	M3	-	±0.35	0.15	2.0	13000	160	18	1.5	3.0
BW25	5	14	5	14	25	34	11.8	16.0	3.8	M4	-	±0.40	0.15	2.0	13000	220	28	2.0	4.0
BW25C	5	12	5	12	25	38	11.4		4.7	M4	-	±0.40	0.15	2.0	11000	220	38	2.0	4.0
BW32	6	16	6	16	32	37	10.5	21.0	3.2	M4	-	±0.50	0.20	2.0	10000	310	46	2.5	5.0
BW32C	6	16	6	16	32	43	13.0		4.5	M4	-	±0.50	0.20	2.0	10000	310	56	2.5	5.0
BW40	8	20	8	20	40	51	15.0	28.0	4.9	M5	-	±0.60	0.20	2.0	8000	520	88	10	20
BW40C	8	20	8	20	40	62	20.5		6.8	M5	-	±0.60	0.20	2.0	8000	520	108	10	20
BW55	10	30	10	30	55	57	14.5	38.0	3.3	M6	-	±0.80	0.20	2.0	6000	850	230	25	50
BW55C	10	30	10	30	55	72	22.5		6.5	M6	-	±0.80	0.20	2.0	6000	850	280	25	50
BW65C	14	38	14	38	65	81	25.5	45.0	7.5	-	M8	±0.80	0.20	2.0	4500	960	420	60	120
BW82C	14	42	14	42	82	103	34.0	56.0	10	-	M8	±1.0	0.20	2.0	4000	1290	850	80	160

Example :

BW	32	C	10	14
Model	Outside diameter	Fixed model	Aperture	Aperture





- ◆ Ringfeder metal bellows coupling
- ◆ Zero rotary clearance
- ◆ Excellent torsional Rigidity, reduces the torque loss
- ◆ Expansion sleeve connection of large friction torque
- ◆ Security maintenance free

## Dimension : (mm)

Model	aperture				D	L	L1/L2	E	D1	D2	M1	M	Tightening Torque (N.M)
	d1		d2										
	Min	Max	Min	Max									
BW40T	10	18	10	18	40	55.0	19.0	28.0	35.0	38.0	M4	M4x4	2.5
BW55T	12	23	12	23	55	65.0	22.0	38.0	42.0	52.0	M5	M5x6	4.0
BW65T	12	29	12	29	65	76.0	27.0	45.0	52.0	62.0	M5	M5x6	4.0
BW82T	15	38	15	38	82	87.0	32.0	56.0	70.0	78.0	M6	M6x6	8.0

## Specification :

Model	Rated torque (N.m)	Max torque (N.m)	allowable speed (min <sup>-1</sup> )	Torsional stiffness (N.m/rad)	Moment of inertia (10 <sup>-3</sup> kgm <sup>2</sup> )	Axial (mm)	lateral (mm)	Angular (°)	Net weight (g)
BW40T	10	20	6600	8300	0.12	2.0	0.2	1.0	260
BW55T	25	50	6000	12900	0.27	1.5	0.25	1.5	400
BW65T	60	120	5000	31800	0.63	1.5	0.25	1.5	800
BW82T	130	260	4000	48500	1.50	1.0	0.25	1.5	1200

Example :

BW	65	T	24	28
Model	Outside diameter	Ringfeder	Aperture	Aperture



OBC		RW	Sungil	Rotex
کد جدید	کد قدیم			
<b>MPA &amp; MPA-C</b>				
MPA 26	HPS 26	-	-	-
MPA26C	HPS26C	-	-	-
MPA34C	HPS34C	-	-	-
MPA39C	HPS39C	-	-	-
MPA44C	HPS44C	-	-	-
MPA56C	HPS56C	-	-	-
MPA68C	HPS68C	-	-	-
MPA82C	HPS82C	-	-	-
MPA94C	HPS94C	-	-	-
MPA104C	HPS104C	-	-	-
<b>MPB-C &amp; MPC-C</b>				
MPB34C	-	-	-	-
MPC34C	-	-	-	-
MPB44C	-	-	-	-
MPC44C	-	-	-	-
MPB56C	-	-	-	-
MPC56C	-	-	SHDS56C	-
MPB68C	-	-	-	-
MPC68C	-	-	SHDS66C	-
MPB82C	-	-	-	-
MPC82C	-	-	SHDS88C	-
<b>DMPA-C &amp; DMPB-C</b>				
DMPA26C	HPL26C	-	-	-
DMPA34C	HPL34C	-	SDWB22C	-
DMPB34C	-	-	-	-
DMPA39C	HPL39C	-	-	-
DMPA44C	HPL44C	-	SDWB42C	-
DMPB44C	-	-	-	-
DMPA56C	HPL56C	-	SDWB54C	-
DMPB56C	-	-	-	-
DMPA68C	HPL68C	-	-	-
DMPB68C	-	-	-	-
DMPA82C	HPL82C	-	-	-
DMPB82C	-	-	-	-
DMPA94C	HPL94C	-	SDWB90C	-
DMPA104C	HPL104C	-	-	-
<b>DMPC-C &amp; DMPD-C</b>				
DMPC34C	TM4-34C	-	-	-
DMPD34C	-	-	-	-
DMPD39C	-	-	-	-
DMPC44C	TM4-44C	-	-	-
DMPD44C	-	-	-	-
DMPC56C	TM4-56C	-	SHDW-56C	-
DMPD56C	-	-	-	-
DMPC68C	TM4-68C	-	SHDW-68C	-
DMPD68C	-	-	-	-
DMPC82C	TM4-82C	-	SHDW-82C	-
DMPD82C	-	-	-	-

OBC		RW	Sungil	Rotex
کد جدید	کد قدیم			
<b>JT &amp; JT-C</b>				
JT 16	PK 16	-	-	-
JT16C	PK16C	-	SBR16C	-
JT 20	PK 20	-	-	-
JT20C	PK20C	-	SBR20C	-
JT 25	PK 25	-	-	-
JT25C	PK25C	-	SBR25C	-
JT 32	PK 32	-	-	-
JT32C	PK32C	-	SBR32C	-
JT 40	PK 40	-	-	-
JT40C	PK40C	-	SBR40C	-
JT 50	PK 50	-	-	-
JT50C	PK50C	-	SBR50C	-
JT 63	PK 63	-	-	-
JT63C	PK63C	-	SBR63C	-
<b>JR-C &amp; JRL-C</b>				
JR16C	JG2-16C	-	SRG-16C	-
JR20C	JG2-20C	-	SRG-20C	-
JRL20C	-	-	SRGL-20C	-
JR25C	JG2-25C	-	SRG-25C	-
JRL25C	-	-	SRGL-25C	-
JR32C	JG2-32C	-	SRG-32C	-
JRL32C	-	-	SRGL-32C	-
JR43C	JG2-43C	-	SRG-43C	-
JRL43C	-	-	SRGL-43C	-
JR53C	JG2-53C	-	SRG-53C	-
JRL53C	-	-	SRGL-53C	-
<b>BW &amp; BW-C &amp; BW-T</b>				
BW 16	JB2-16	-	-	-
BW16C	JB2-16C	-	-	-
BW 20	JB2-20	-	-	-
BW20C	JB2-20C	-	-	-
BW 25	JB2-25	-	-	-
BW25C	JB2-25C	-	-	-
BW 32	JB2-32	-	-	-
BW32C	JB2-32C	MK2/45	-	-
BW 40	JB2-40	-	-	-
BW40C	JB2-40C	MK2/100	-	-
BW 55	JB2-55	-	-	-
BW55C	JB2-55C	BKL30	-	-
BW65C	JB2-65C	BKL60	-	-
BW82C	JB2-82C	BKL80	-	-
BW40T	JB2-40T	-	-	-
BW55T	JB2-55T	-	-	-
BW65T	JB2-65T	-	-	-
BW82T	JB2-82T	-	-	-



OBC		RW	Sungil	Rotex
کد جدید	کد قدیم			
<b>JM &amp; JM-C</b>				
JM 14	SRJ 14	-	-	-
JM14C	SRJ14C	-	SJC14C-RD	-
JM 16	SRJ 16	-	-	-
JM16C	SRJ16C	-	-	-
JM 20	JSRJ 20	-	-	-
JM20C	SRJ20C	-	SJC20C-RD	-
JM 25	SRJ 25	-	-	-
JM25C	SRJ25C	EKL5A	SJC25C-RD	GS9-12
JM 30	SRJ 30	-	-	-
JM30C	SRJ30C	EKL10A	SJCB30C-RD	GS 14
JM 40	SRJ 40	-	-	-
JM40C	SRJ40C	EK2/20	SJCB40C-RD	GS 19
JM 55	SRJ 55	-	-	-
JM55C	SRJ55C	EK2/60	SJC55C-RD	GS 24
JM 65	SRJ 65	-	-	-
JM65C	SRJ65C	EK2/150	SJC65C-RD	GS 28
JM 80	SRJ 80	-	-	-
JM80C	SRJ80C	EK2/300	SJC80C-RD	GS38-42
JM 95	SRJ 95	-	-	-
JM95C	SRJ95C	-	-	-
JM 105	SRJ 105	-	-	-
JM105C	SRJ105C	EK2/450	SJC100C-RD	-
JM 120	SRJ 120	-	-	GS48
JM120C	SRJ120C	-	-	-
JM 135	SRJ 135	-	-	-
JM 135C	SRJ 135C	-	-	-
<b>JH</b>				
JH16C	JH2-16C	-	SOH-16C	-
JH20C	JH2-20C	-	SOH-20C	-
JH25C	JH2-25C	-	SOH-25C	-
JH32C	JH2-32C	-	SOH-32C	-
JH40C	JH2-40C	-	SOH-43C	-
JH50C	JH2-50C	-	SOH-53C	-
JH63C	JH2-63C	-	SOH-70C	-
<b>NM-Coupling</b>				
50	NM-50	-	-	-
67	NM-67	-	-	-
82	NM-82	-	-	-
97	NM-97	-	-	-
112	NM-112	-	-	-
128	NM-128	-	-	-
148	NM-148	-	-	-
168	NM-168	-	-	-
194	NM-194	-	-	-
214	NM-214	-	-	-

OBC		RW	Sungil	Rotex
کد جدید	کد قدیم			
<b>L-Coupling</b>				
L035	L-SRJ035	-	-	-
L050	L-SRJ050	-	-	-
L070	L-SRJ070	-	-	-
L075	L-SRJ075	-	-	-
L090	L-SRJ090	-	-	-
L095	L-SRJ095	-	-	-
L099	L-SRJ099	-	-	-
L100	L-SRJ100	-	-	-
L110	L-SRJ110	-	-	-
L150	L-SRJ150	-	-	-
L190	L-SRJ190	-	-	-
L225	L-SRJ225	-	-	-
L276	L-SRJ276	-	-	-
<b>XL</b>				
XL-0	XL-SRJ0(30)	-	-	-
XL-1	XL-SRJ1(40)	-	-	-
XL-2	XL-SRJ2(55)	-	-	-
XL-3	XL-SRJ3(65)	-	-	-
XL-4	XL-SRJ4(80)	-	-	-
XL-5	XL-SRJ5(95)	-	-	-
XL-6	XL-SRJ6(105)	-	-	-
XL-7	XL-SRJ7	-	-	-
XL-8	XL-SRJ8	-	-	-
XL-9	XL-SRJ9	-	-	-
XL-10	XL-SRJ10	-	-	-
XL-11	XL-SRJ11	-	-	-
XL-12	XL-SRJ12	-	-	-
XL-13	XL-SRJ13	-	-	-
XL-14	XL-SRJ14	-	-	-
XL-15	XL-SRJ15	-	-	-
XL-16	XL-SRJ16	-	-	-

