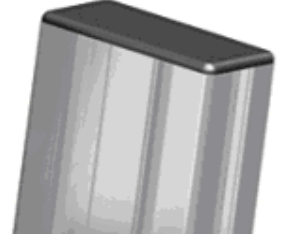
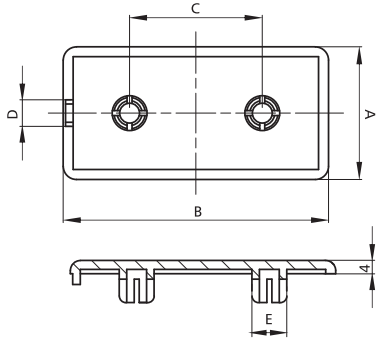


Alu Profile Accessories/End Caps



Slot	Item No.	Spec.	A	B	C	D	E	PCS/CTN	KGS/CTN	CTN SIZE (mm)
10	3027-4K-4080-10	40*80	80	40	40	9.8	Φ10.5	120	2.00	225*170*180
8	3027-4K-4080-7	40*80	80	40	40	8	Φ7.2	120	2.00	225*170*180
10	3027-4K-4590-10	45*90	90	45	45	9.8	Φ10.5	100	2.00	225*170*180
8	3027-4K-3060-7	30*60	60	30	30	8	Φ7.2	500	2.60	300*240*200

Material : Nylon Finish : Black

