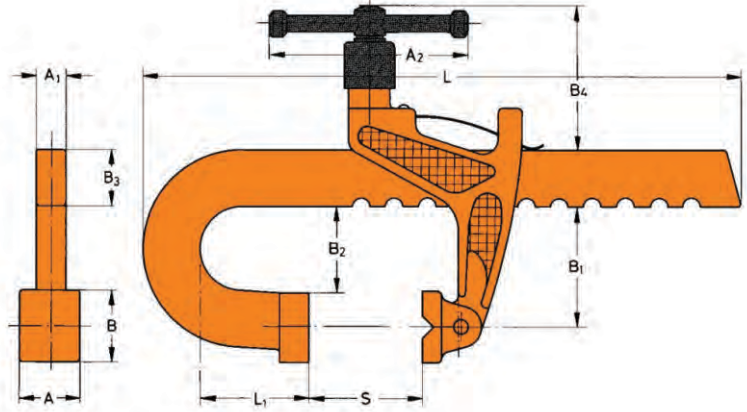


Rack Toggle Clamps



CARVER CLAMPS – RACK TYPE

FEATURES OF PRODUCTS:

- A-) The products are strenght and suitable for heavy duty.
B-) -) The operator slides the spring loaded moveable jaw toward the workpiece to the nearest notch where it locks into the detent. Hand tightening the screw advances the clamp jaw.

1. Spring-loaded jaw stays in position when pressure removed.
2. Jaw moves to security clamp angled surfaces.
3. Working parts not exposed to weld spatter.
4. No long screws to bend.
5. Tightening action cannot rotate workpiece.

USAGE AREAS

- * Fabrication
- * Welding
- * Machining
- * Maintenance
- * toolroom

MODEL NO	Tutma Kuvveti Holding Force (N)	Tutma Kapasitesi Capacity (S) (mm)	Çene Uzunluğu Reach (B1) (mm)	Weight (gr)
T186-150	11300	0 - 150	60	1400
T186-300		0 - 300	60	1800
T186-500		0 - 500	60	2500
T186-750		0 - 750	60	3200
T321-250	5650	0 - 250	120	2000
T321-600		0 - 600	120	3500
T290-225	18000	0 - 225	90	5500
T290-450		0 - 450	90	7000
T290-750		0 - 750	90	8500
T290-1000		0 - 1000	90	10500
T285-225	9000	0 - 225	200	7100
T285-450		0 - 450	200	8500
T285-750		0 - 750	200	10000
T285-1000		0 - 1000	200	11500
T257-150	27000	0 - 150	115	9800
T257-300		0 - 300	115	10900
T257-450		0 - 450	115	12200
T257-600		0 - 600	115	13100
T257-900		0 - 900	115	15800
T257-1350		0 - 1350	115	19100

MODEL NO	A	A1	A2	B	B2	B3	B4	L	L1
T186-150	25	13	76	32	43	33	76	245	20
T186-300	25	13	76	32	43	33	76	395	20
T186-500	25	13	76	35	43	30	76	625	30
T186-750	25	13	76	35	43	30	76	875	30
T321-250	25	13	76	35	102	33,5	76	360	25
T321-600	25	13	76	32	98	30	76	715	8
T290-225	40	20	140	60	65	40	105	420	65
T290-450	40	20	140	60	65	40	105	655	65
T290-750	40	20	140	60	65	40	105	955	65
T290-1000	40	20	140	60	65	40	105	1205	65
T285-225	40	20	140	60	180	40	105	420	65
T285-450	40	20	140	60	180	40	105	655	65
T285-750	40	20	140	60	180	40	105	955	65
T285-1000	40	20	140	60	180	40	105	1205	65
T257-150	51	22	187	60	85	51	127	403	100
T257-300	51	22	187	60	85	51	127	555	100
T257-450	51	22	187	60	85	51	127	710	100
T257-600	51	22	187	60	85	51	127	850	100
T257-900	51	22	187	60	85	51	127	1165	100
T257-1350	51	22	187	60	85	51	127	1615	100

