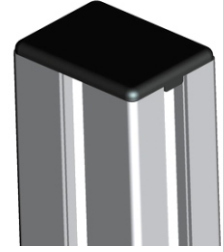
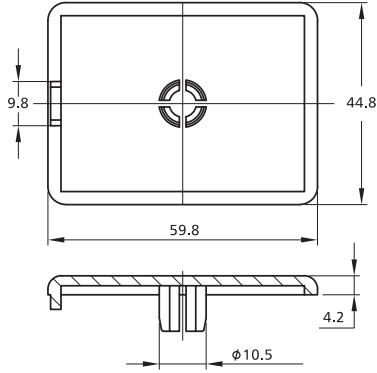



Alu Profile Accessories/End Caps



Slot	Item No.	Spec.	Material	Finish	PCS/CTN	KGS/CTN	CTN SIZE(mm)
	3027-4K-4560	45*60	Nylon	Black	150	1.65	225*170*180

