

652



new

Pneumatic Toggle Clamps

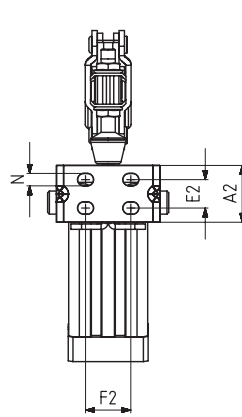
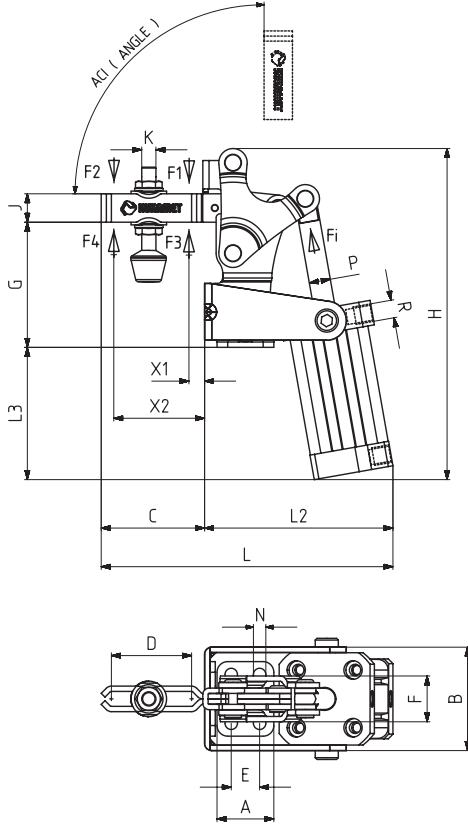
MODEL NO	F1 (N)	F2 (N)	F3 (N)	F4 (N)	Fi (N)	Vn (dm ³)	(ANGLE) (± 5°)	(WEIGHT) (gr)	BAR
652-2	1200	700	1400	925	300	0,25	90°	570	6
652-3	2000	1400	2500	1560	500	0,51	90°	910	6

F1 - F2 : BASKI KUUVETI (EXERTING FORCE) , F3 - F4 : TUTMA KAPASITESI (HOLDING CAPACITY) , Fi : UYGULAMA KUUVETI (APPLIED FORCE)

Vn, 6 BAR BASINÇTA ÇİFT HAREKET İÇİN HAVA TÜKETİM MİKTARIDIR (Vn, AIR CONSUMPTION PER DOUBLE STROKE IN dm³ AT 6 BAR)

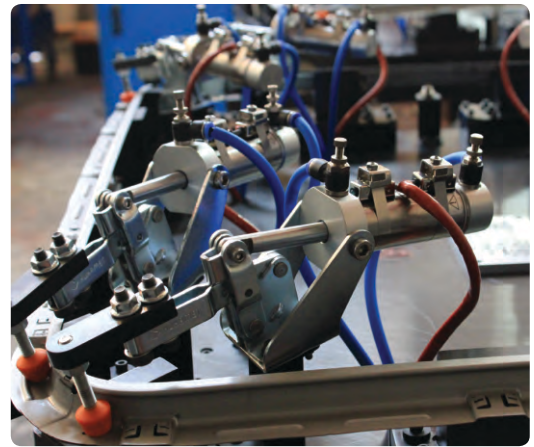
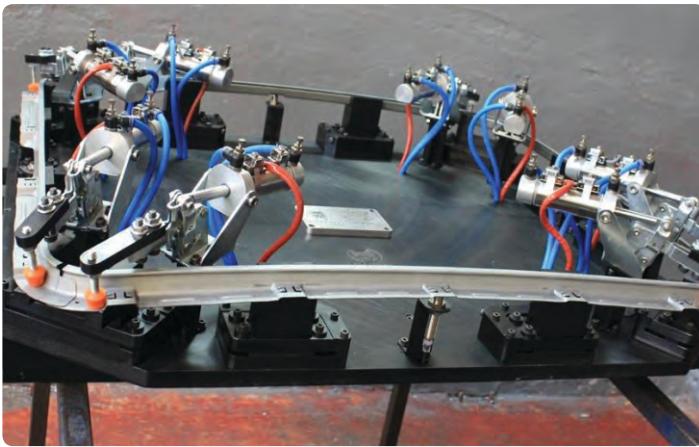
Body Mounting Base Vertical

With Square Piston and Sensor Slot



MODEL NO : 652-2

MODEL NO : 652-3



Pneumatic cylinders are double acting, magnetic and cushioning

MODEL NO	A	A2	B	C	D	E	E2	F	F2	G	H	J	K	L	L2	L3	N	X1	X2	P	R	PISTON Ø
652-2	26	26	51	54	42	12,5	12,5	25 - 29	25 - 29	65	156	13	M6	145	91	59	6x8	12	42	Ø 10	G1/8	25
652-3	32	32	60	57	42	16	16	23,5 - 27,5	23,5 - 27,5	70,5	188	16	M8	165	108	76	7x9	15	42	Ø 12	G1/8	32



تلفن : (021) 33913364 - 33951660

فکس : (021) 33985603