

UKFL 2

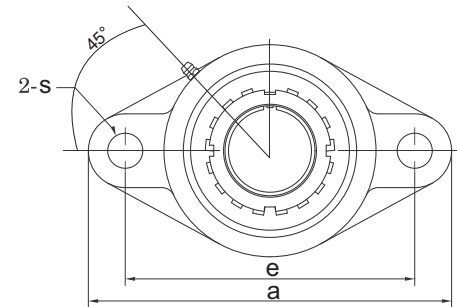
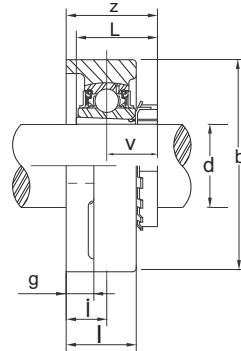
Flange Units (Oval)(with adapter mounted)
(normal-duty)



SR type seal



TRL type seal



unit No.	Shaft Dia	Dimensions (mm)										Bolt Used (mm)	Bearing No.	Housing No.	Adapter Used	Weight kg.
	d (mm)	a	e	i	g	l	s	b	z	L	v					
UKFL 205	20	130	99	16	13	27	16	68	35.5	31	19.5	14	UK 205	FL 205	HE 305 H 305	0.68
UKFL 206	25	148	117	18	13	31	16	80	39	34	21	14	UK 206	FL 206	HS 306 HA 306 H 306 HE 306	0.97
UKFL 207	30	161	130	19	14	34	16	90	41.5	36	22.5	14	UK 207	FL 207	HS 307 H 307 HA 307	1.3
UKFL 208	35	175	144	21	14	36	16	100	45.5	39	24.5	14	UK 208	FL 208	HE 308 HS 308 H 308	1.6
UKFL 209	40	188	148	22	15	38	19	108	48	41	26	16	UK 209	FL 209	HA 309 HE 309 H 309 HS 309	2.0
UKFL 210	45	197	157	22	15	40	19	115	49.5	43	27.5	16	UK 210	FL 210	HA 310 HE 310 H 310	2.3
UKFL 211	50	224	184	25	18	43	19	130	53.5	45	28.5	16	UK 211	FL 211	HS 311 HA 311 H 311 HE 311	3.3
UKFL 212	55	250	202	29	18	48	23	140	60	49	31	20	UK 212	FL 212	HS 312 H 312	4.1
UKFL 213	60	258	210	30	20	50	23	155	63	52	33	20	UK 213	FL 213	HA 313 HE 313 H 313 HS 313	5.0
UKFL 215	65	275	225	34	20	56	23	165	69.5	56	35.5	20	UK 215	FL 215	HA 315 HE 315 H 315	6.6
UKFL 216	70	290	233	34	20	58	25	180	73	61	39	22	UK 216	FL 216	HA 316 HE 316 H 316	8.1
UKFL 217	75	305	248	36	22	63	25	190	77	64	41	22	UK 217	FL 217	HA 317 H 317 HE 317	9.9
UKFL 218	80	320	265	40	23	68	25	205	82.5	67	42.5	22	UK 218	FL 218	H 318	12.2

