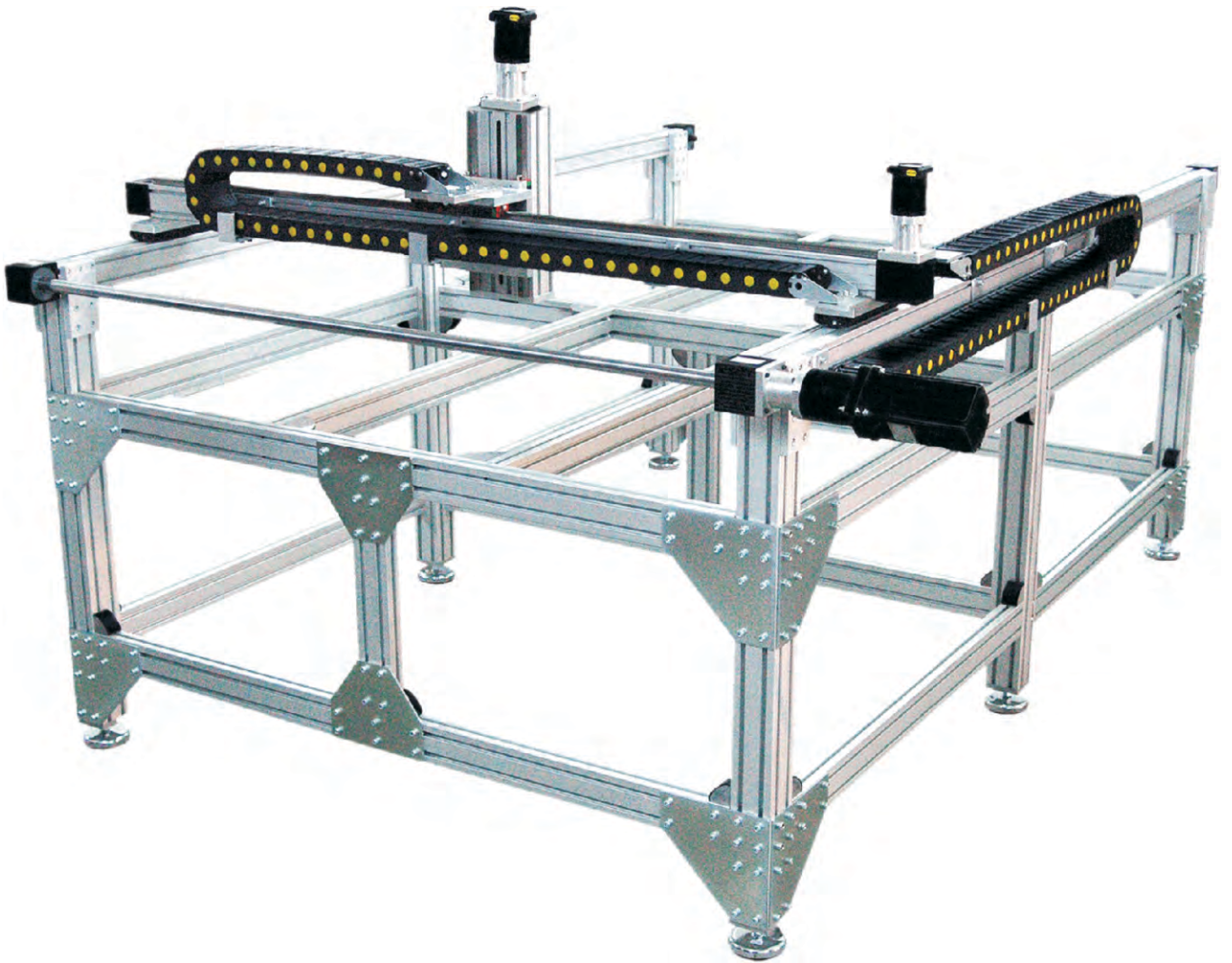


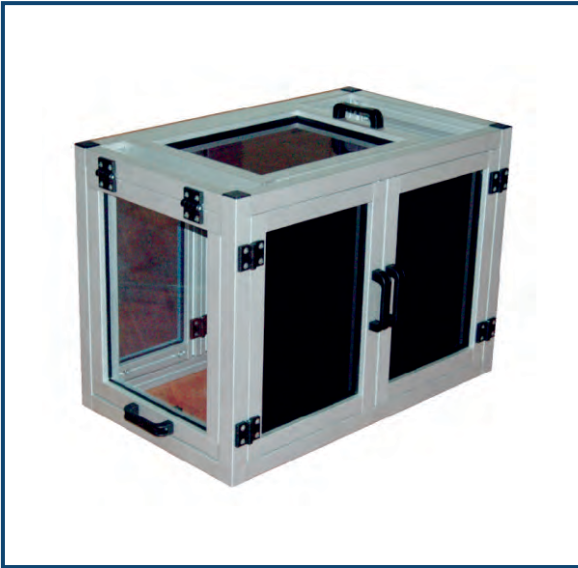


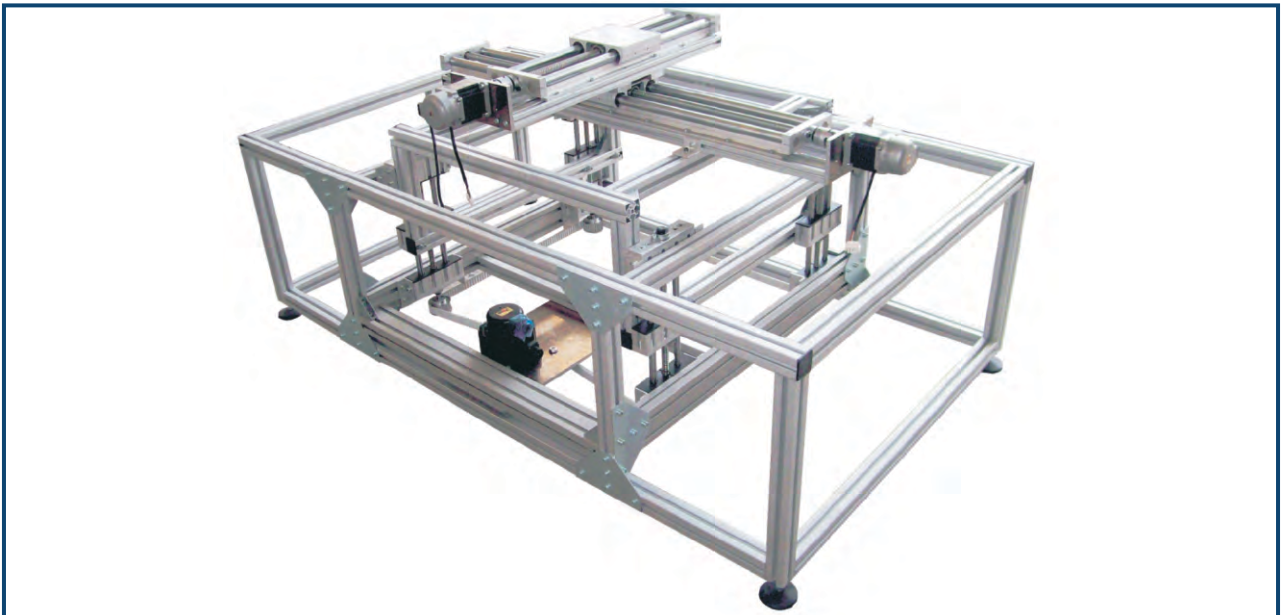
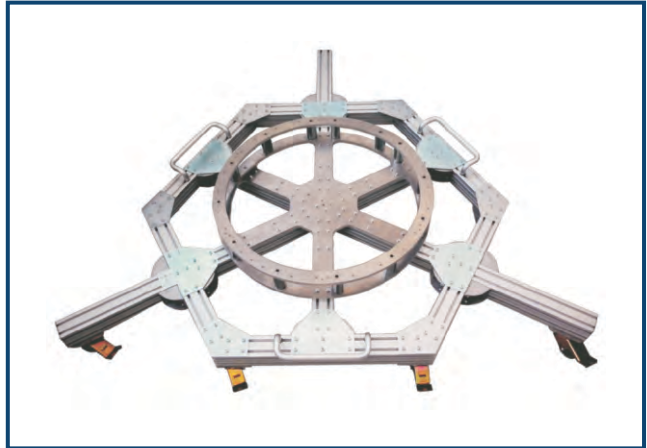
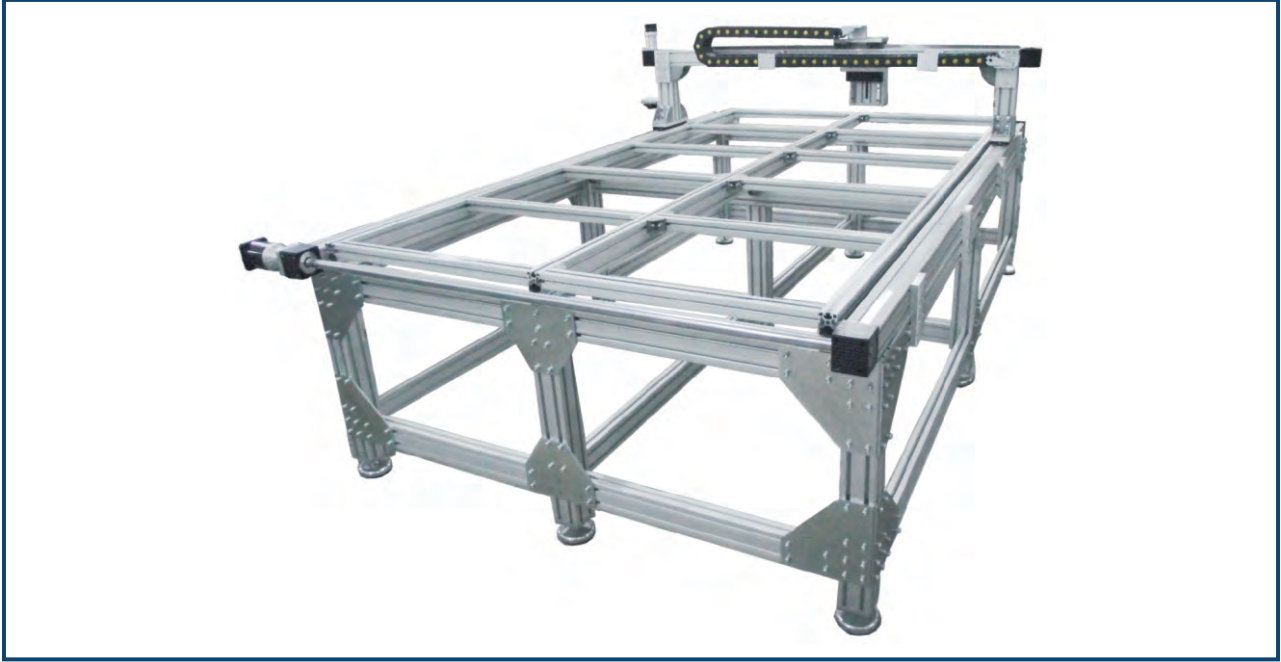
OBC
Oskoyi Ballbearing Company
Made in China

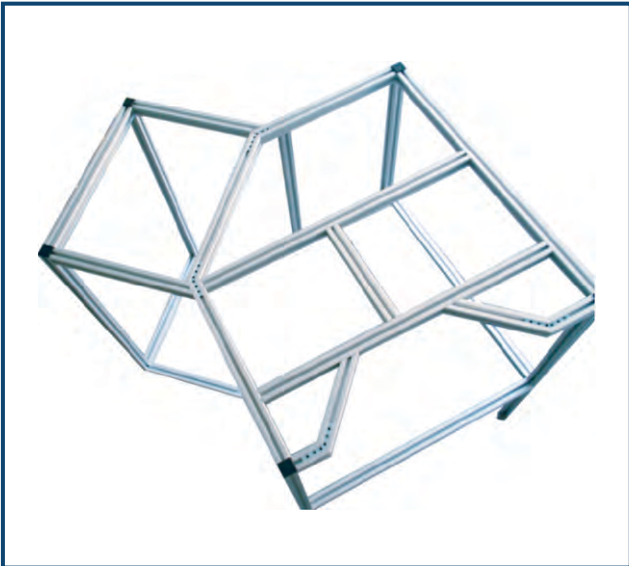


پروفیل های آلومینیوم برند OBC

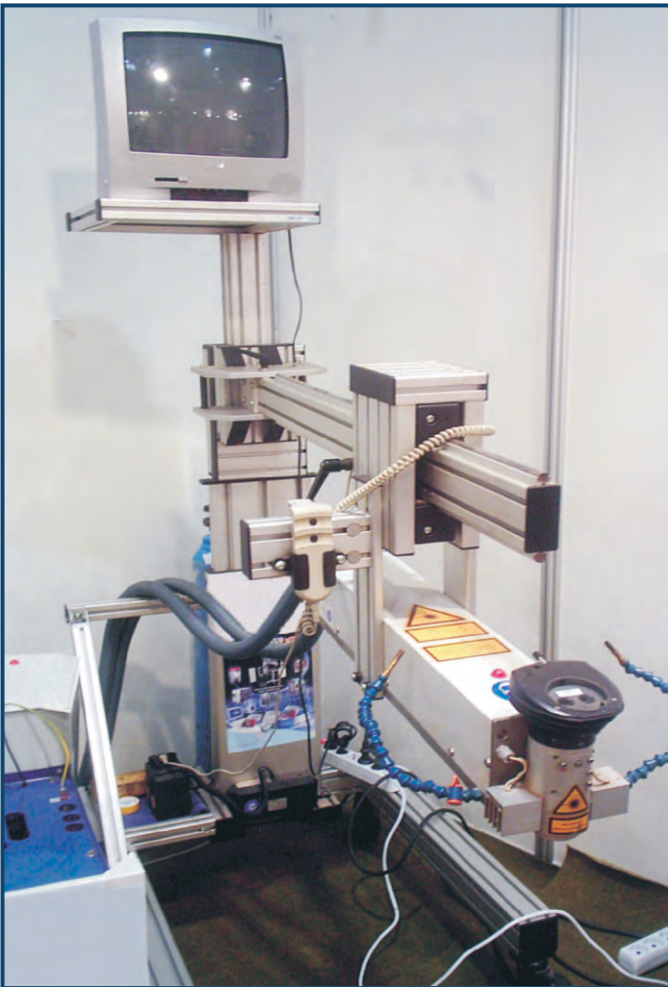


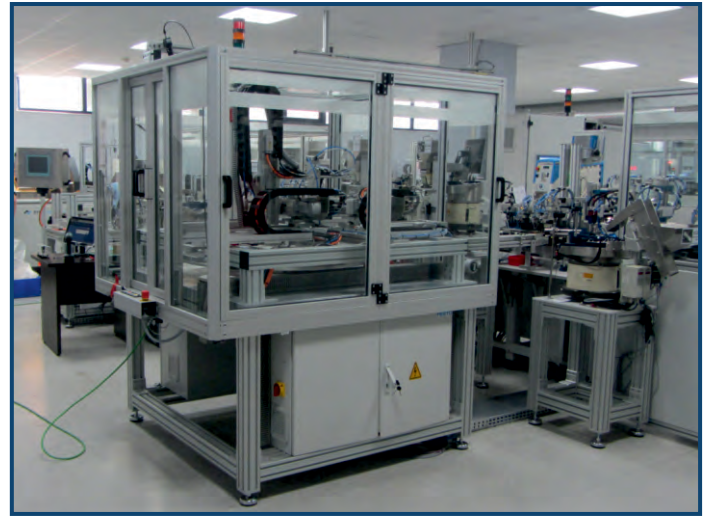
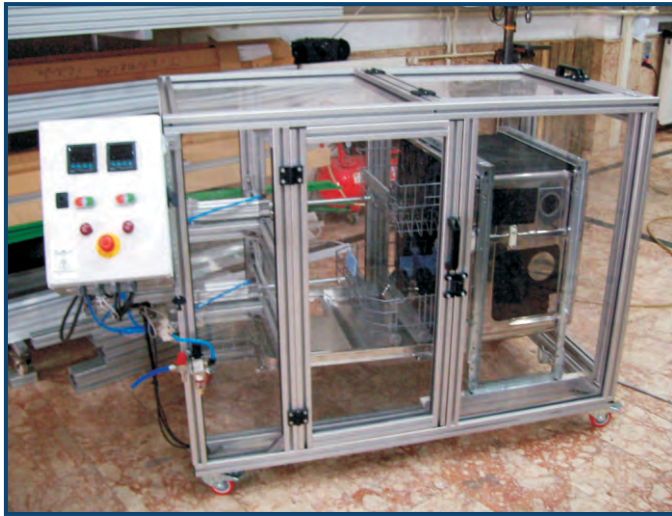






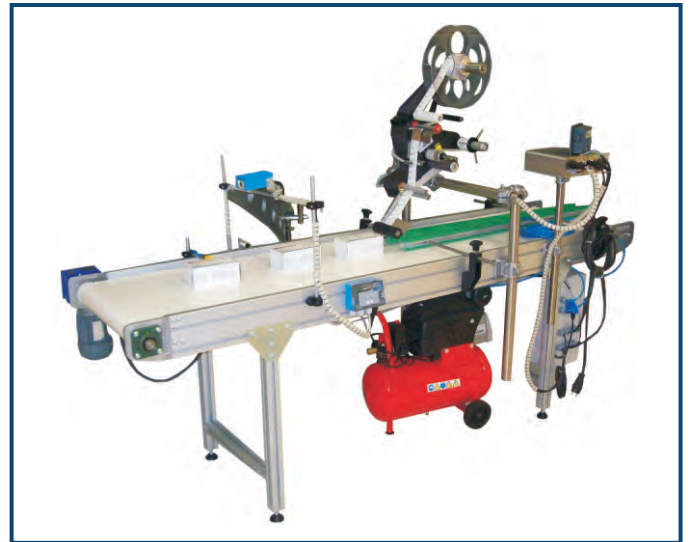


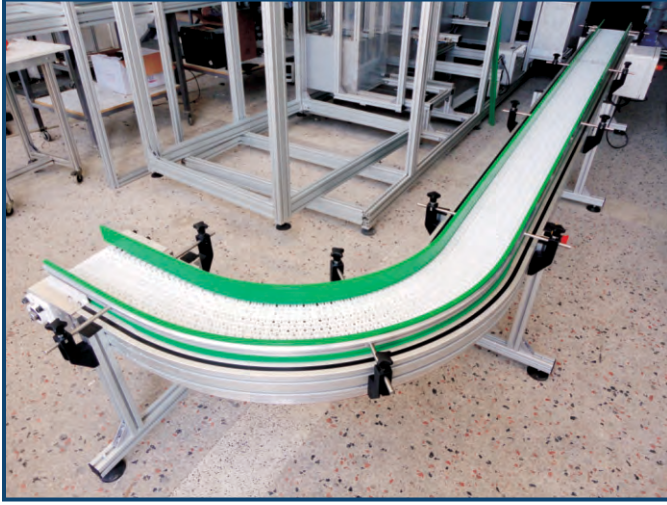




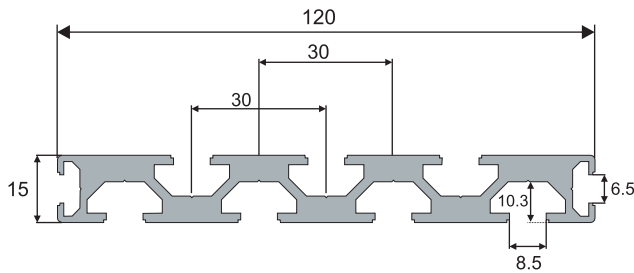
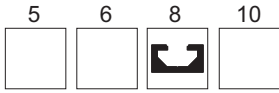








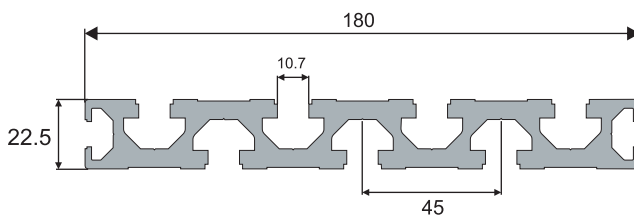
OBC-15*120



Part No.	Wy cm ³	Wx cm ³	Ly cm ⁴	Lx cm ⁴	L mm	coating	Material	Area cm ²	Weight kg/m
OBC-15*120	2.8	17.5	2.1	105.7	6000	Anodizad	AL-6063	8.6	2.33

L(Standard) : 6050 mm

OBC-22.5*180

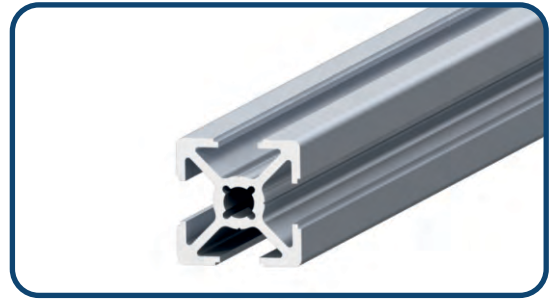
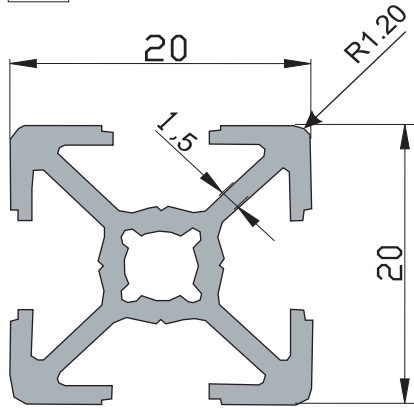
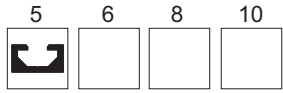


Part No.	Wy cm ³	Wx cm ³	Ly cm ⁴	Lx cm ⁴	L mm	coating	Material	Area cm ²	Weight kg/m
OBC-22.5*180	10.4	63.43	11.7	57.09	6000	Anodizad	AL-6063	21.1	5.70

L(Standard) : 6050 mm



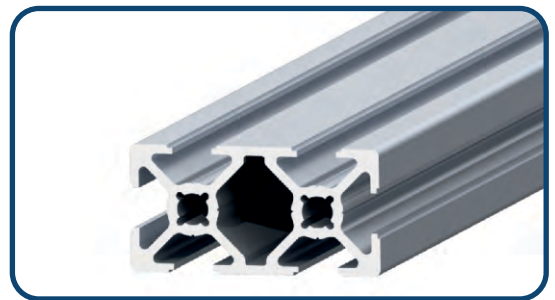
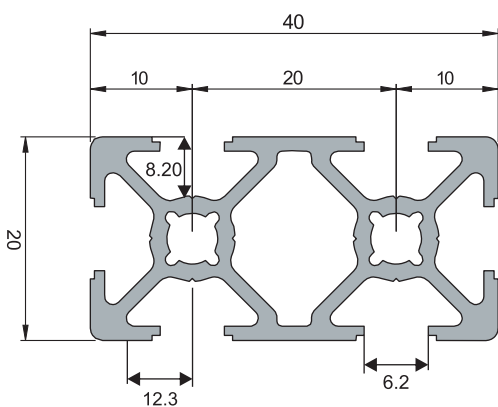
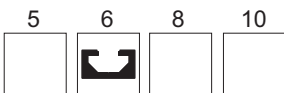
OBC-20*20



Part No.	Wy cm ³	Wx cm ³	Ly cm ⁴	Lx cm ⁴	L mm	coating	Material	Area cm ²	Weight kg/m
OBC-20*20	0.61	0.61	0.61	0.61	6000	Anodizad	AL-6063	1.42	0.32

L(Standard) : 6050 mm

OBC-20*40

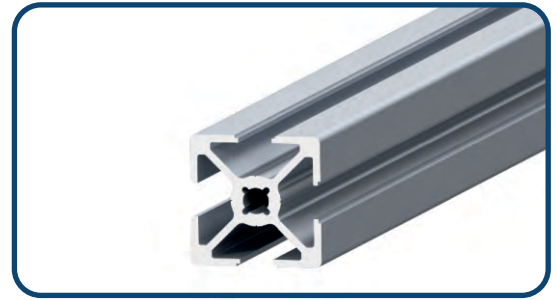
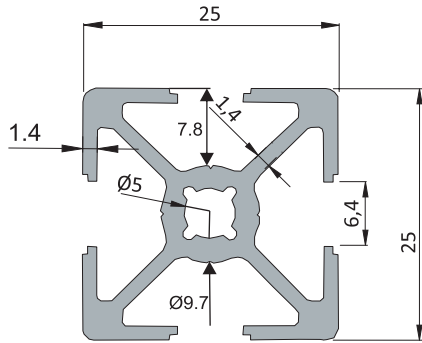
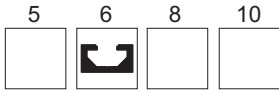


Part No.	Wy cm ³	Wx cm ³	Ly cm ⁴	Lx cm ⁴	L mm	coating	Material	Area cm ²	Weight kg/m
OBC-20*40	1.12	2.08	1.12	4.17	6000	Anodizad	AL-6063	2.6	0.73

L(Standard) : 6050 mm



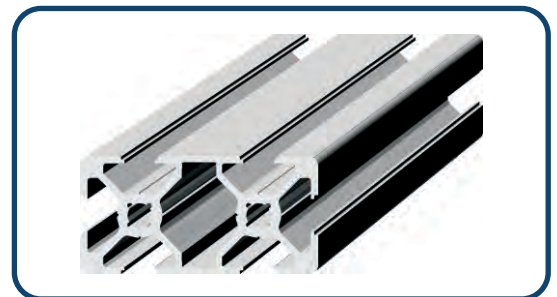
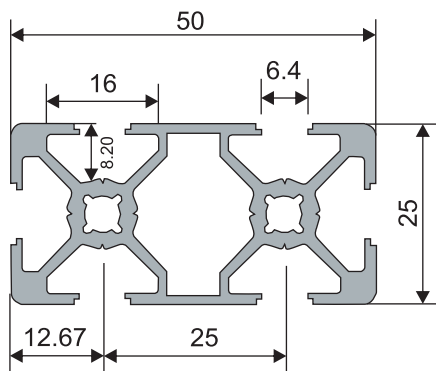
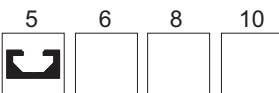
OBC-25*25



Part No.	Wy cm ³	Wx cm ³	Ly cm ⁴	Lx cm ⁴	L mm	coating	Material	Area cm ²	Weight kg/m
OBC-25*25	1.11	1.11	1.39	1.39	6000	Anodizad	AL-6063	2.12	0.55

L(Standard) : 6050 mm

OBC-25*50

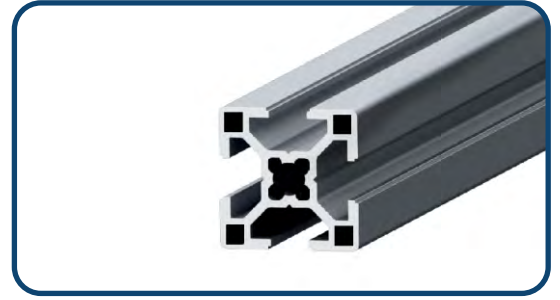
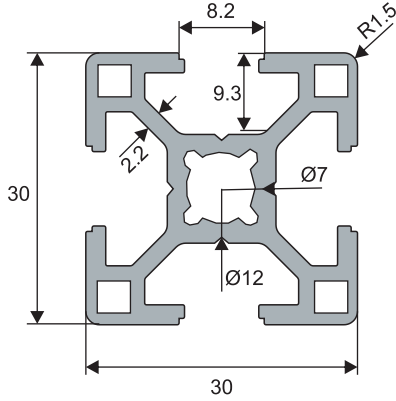
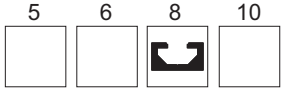


Part No.	Wy cm ³	Wx cm ³	Ly cm ⁴	Lx cm ⁴	L mm	coating	Material	Area cm ²	Weight kg/m
OBC-25*50	-	-	-	-	6000	Anodizad	AL-6063	-	0.76

L(Standard) : 6050 mm



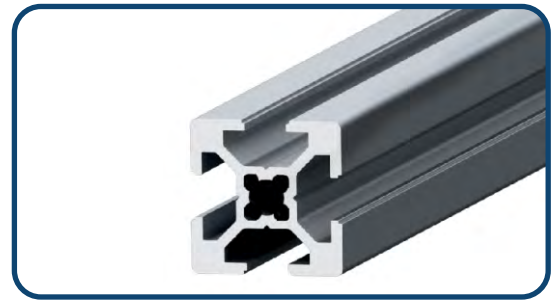
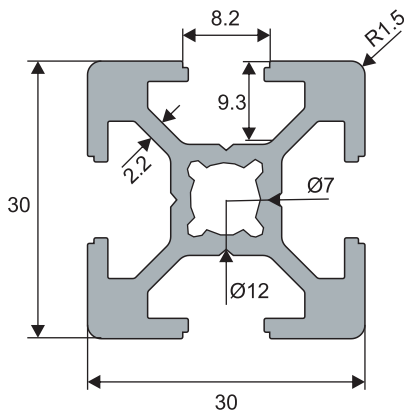
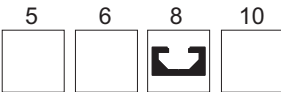
OBC-30*30 L سبک



Part No.	Wy cm ³	Wx cm ³	Ly cm ⁴	Lx cm ⁴	L mm	coating	Material	Area cm ²	Weight kg/m
OBC-30*30 L	1.97	1.97	2.95	2.95	6000	Anodizad	AL-6063	3.16	0.85

L(Standard) : 6050 mm

OBC-30*30 H سنگین

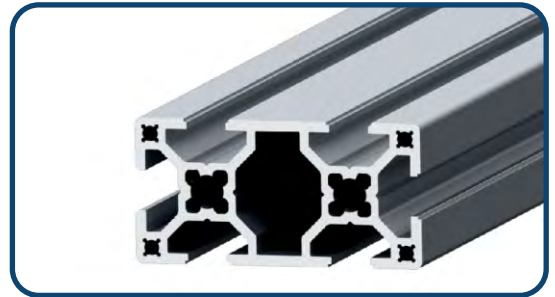
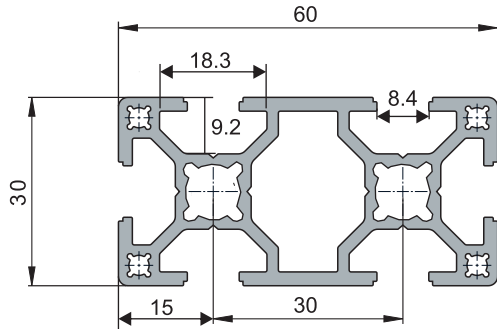
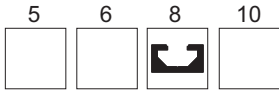


Part No.	Wy cm ³	Wx cm ³	Ly cm ⁴	Lx cm ⁴	L mm	coating	Material	Area cm ²	Weight kg/m
OBC-30*30 H	1.8	1.8	2.91	2.91	6000	Anodizad	AL-6063	3.22	0.950

L(Standard) : 6050 mm



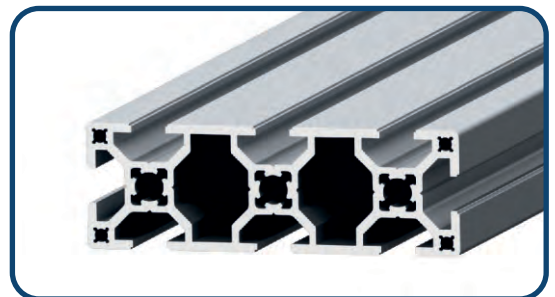
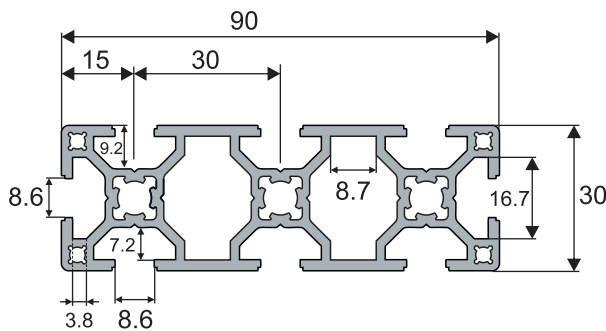
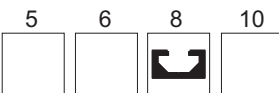
OBC-30*60



Part No.	Wy cm ³	Wx cm ³	Ly cm ⁴	Lx cm ⁴	L mm	coating	Material	Area cm ²	Weight kg/m
OBC-30*60	3.64	6.71	5.46	20.12	6000	Anodizad	AL-6063	5.59	1.51

L(Standard) : 6050 mm

OBC-30*90

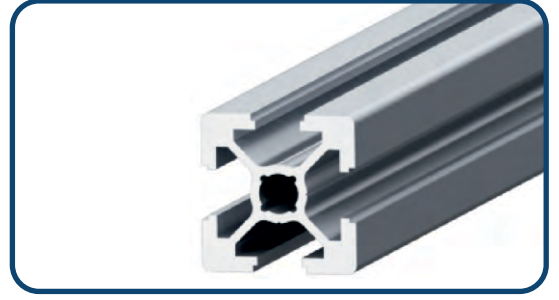
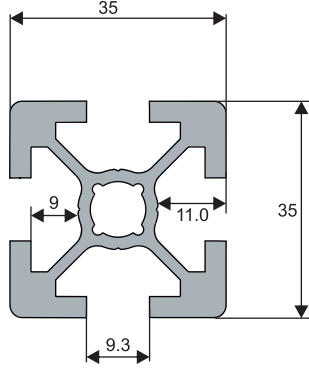
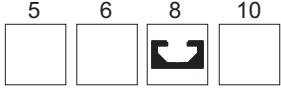


Part No.	Wy cm ³	Wx cm ³	Ly cm ⁴	Lx cm ⁴	L mm	coating	Material	Area cm ²	Weight kg/m
OBC-30*90	5.32	14.06	7.99	63.29	6000	Anodizad	AL-6063	8.12	2.19

L(Standard) : 6050 mm



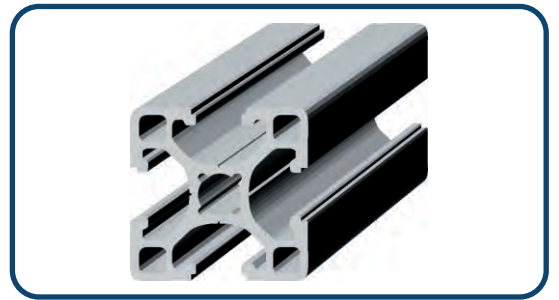
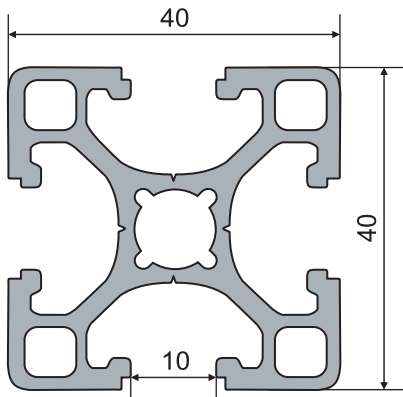
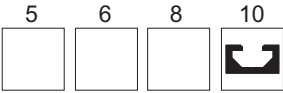
OBC-35*35



Part No.	Wy cm ³	Wx cm ³	Ly cm ⁴	Lx cm ⁴	L mm	coating	Material	Area cm ²	Weight kg/m
OBC-35*35	3.8	3.8	6.7	6.7	6000	Anodizad	AL-6063	4.92	1.29

L(Standard) : 6050 mm

OBC-40*40 L سبک

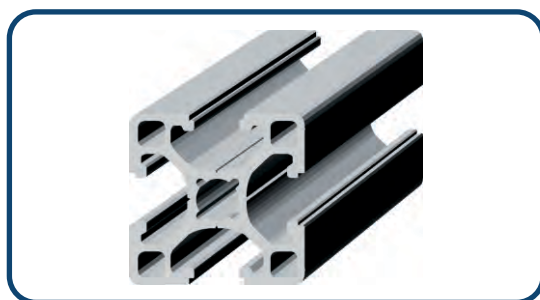
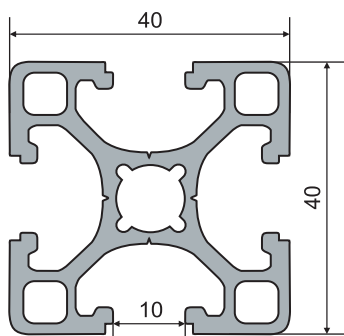
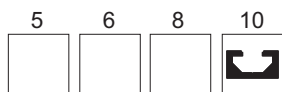


Part No.	Wy cm ³	Wx cm ³	Ly cm ⁴	Lx cm ⁴	L mm	coating	Material	Area cm ²	Weight kg/m
OBC-40*40 L	6.05	6.05	10.37	10.37	6000	Anodizad	AL-6063	6.12	1.65

L(Standard) : 6050 mm



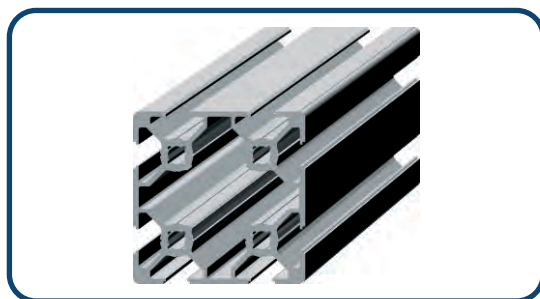
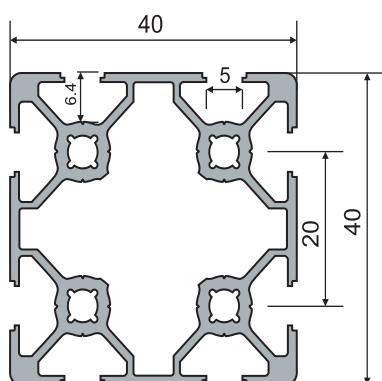
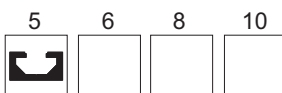
OBC-40*40 H سنگین



Part No.	Wy cm ³	Wx cm ³	Ly cm ⁴	Lx cm ⁴	L mm	coating	Material	Area cm ²	Weight kg/m
OBC-40*40 H	5.18	5.18	12.1	12.1	6000	Anodizad	AL-6063	7.32	1.98

L(Standard) : 6050 mm

OBC-40*40 L8 سبک هشت شیاره

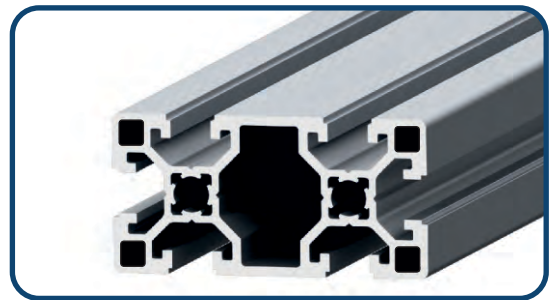
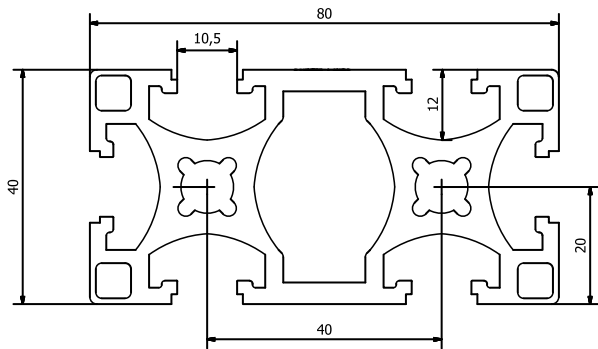
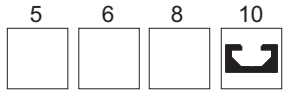


Part No.	Wy cm ³	Wx cm ³	Ly cm ⁴	Lx cm ⁴	L mm	coating	Material	Area cm ²	Weight kg/m
OBC-40*40 L8	4.12	4.12	9.10	9.10	6000	Anodizad	AL-6063	1	0.900

L(Standard) : 6050 mm



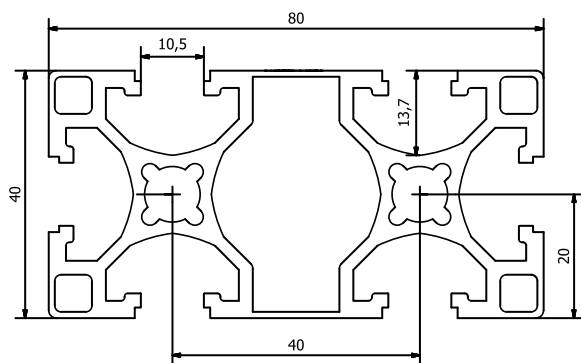
OBC-40*80 L سبک



Part No.	Wy cm ³	Wx cm ³	Ly cm ⁴	Lx cm ⁴	L mm	coating	Material	Area cm ²	Weight kg/m
OBC-40*80 L	8.6	14.4	14.9	62.9	6000	Anodizad	AL-6063	10.23	2.76

L(Standard) : 6050 mm

OBC-40*80 H سنگین

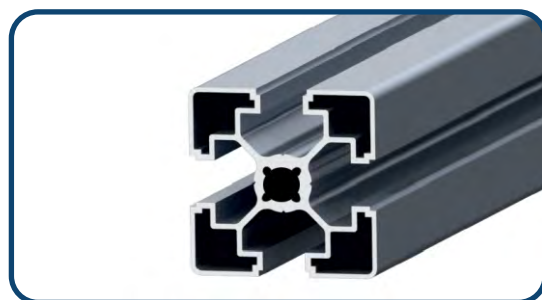
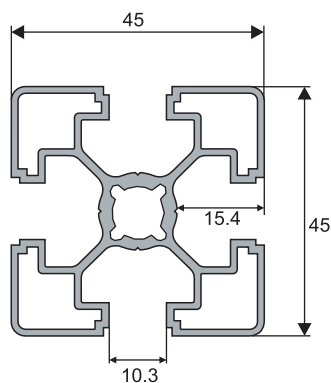
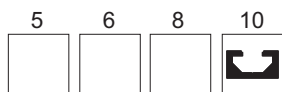


Part No.	Wy cm ³	Wx cm ³	Ly cm ⁴	Lx cm ⁴	L mm	coating	Material	Area cm ²	Weight kg/m
OBC-40*80 H	9.25	17.38	20.9	82.3	6000	Anodizad	AL-6063	11.9	3.22

L(Standard) : 6050 mm



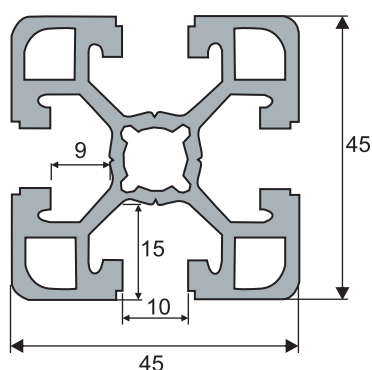
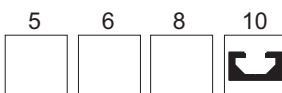
OBC-45*45 L سبک



Part No.	Wy cm ³	Wx cm ³	Ly cm ⁴	Lx cm ⁴	L mm	coating	Material	Area cm ²	Weight kg/m
OBC-45*45 L	4.8	4.8	11	11	6000	Anodizad	AL-6063	7.5	1.160

L(Standard) : 6050 mm

OBC-45*45 H سنگین

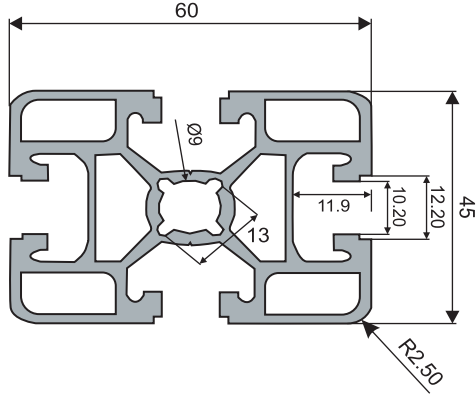
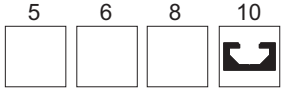


Part No.	Wy cm ³	Wx cm ³	Ly cm ⁴	Lx cm ⁴	L mm	coating	Material	Area cm ²	Weight kg/m
OBC-45*45 H	6.1	6.1	13.8	13.8	6000	Anodizad	AL-6063	7.5	2.05

L(Standard) : 6050 mm



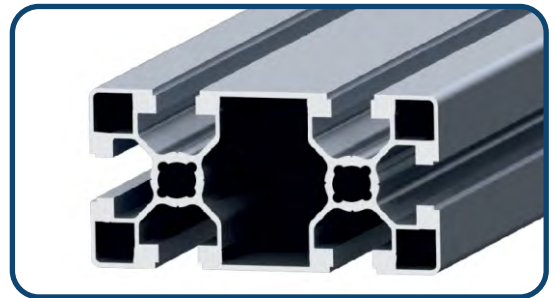
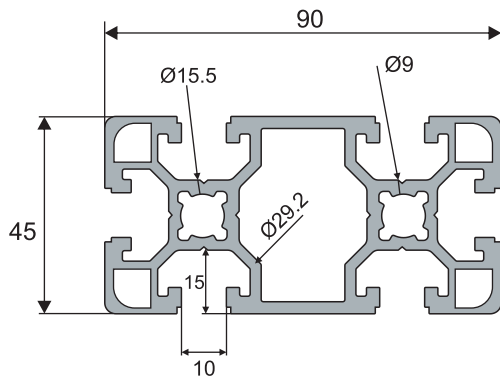
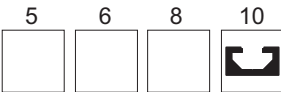
OBC-45*60



Part No.	Wy cm ³	Wx cm ³	Ly cm ⁴	Lx cm ⁴	L mm	coating	Material	Area cm ²	Weight kg/m
OBC-45*60	10	11.9	18.45	31.29	6000	Anodizad	AL-6063	9.45	2.61

L(Standard) : 6050 mm

OBC-45*90

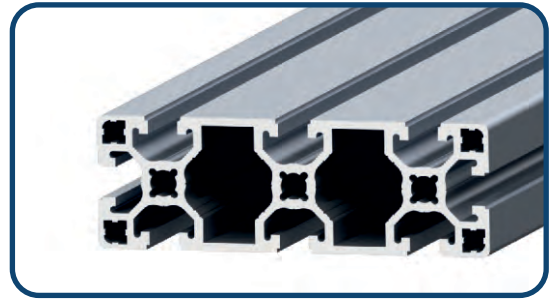
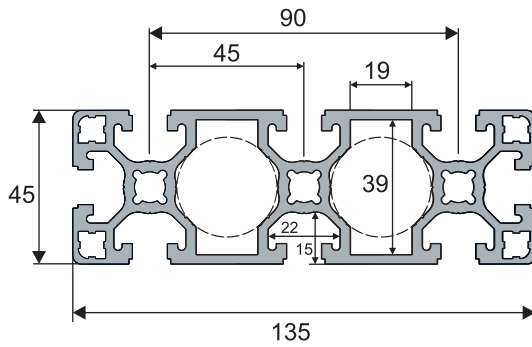
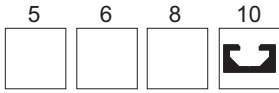


Part No.	Wy cm ³	Wx cm ³	Ly cm ⁴	Lx cm ⁴	L mm	coating	Material	Area cm ²	Weight kg/m
OBC-45*90	13.2	25.2	28.3	104.7	6000	Anodizad	AL-6063	12.88	3.320

L(Standard) : 6050 mm



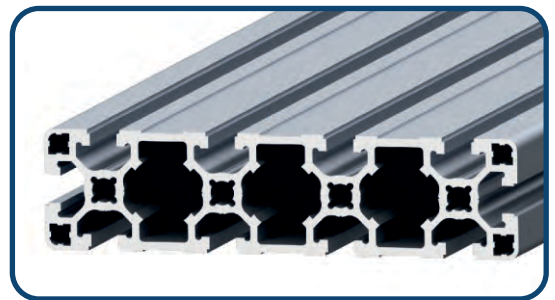
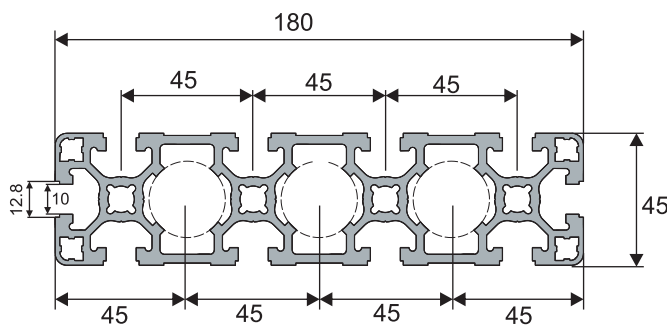
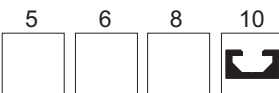
OBC-45*135



Part No.	Wy cm ³	Wx cm ³	Ly cm ⁴	Lx cm ⁴	L mm	coating	Material	Area cm ²	Weight kg/m
OBC-45*135	22.8	61.8	41.8	324	6000	Anodizad	AL-6063	18.3	4.85

L(Standard) : 6050 mm

OBC-45*180

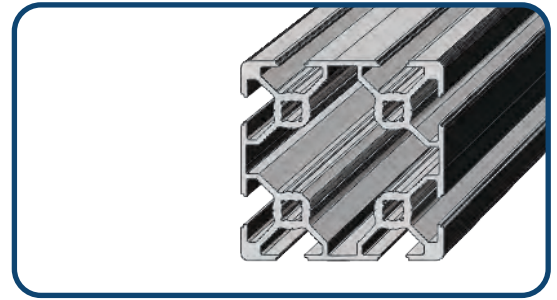
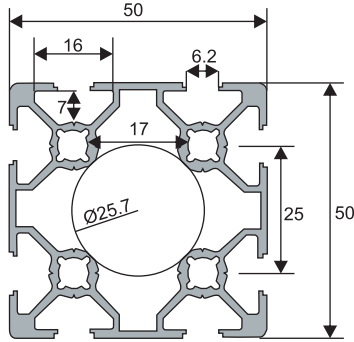
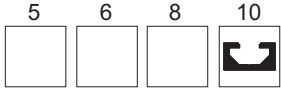


Part No.	Wy cm ³	Wx cm ³	Ly cm ⁴	Lx cm ⁴	L mm	coating	Material	Area cm ²	Weight kg/m
OBC-45*180	25.2	83	56.7	74.7	6000	Anodizad	AL-6063	25.1	6.77

L(Standard) : 6500 mm



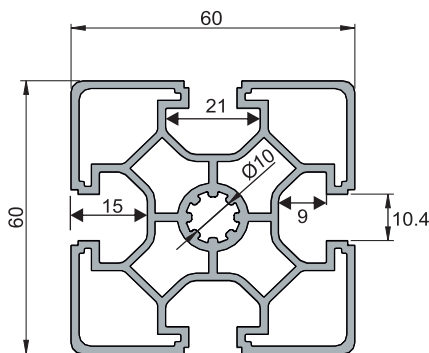
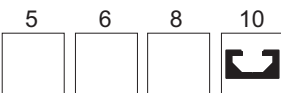
OBC-50*50 L8 سبک هشت شبیره



Part No.	Wy cm ³	Wx cm ³	Ly cm ⁴	Lx cm ⁴	L mm	coating	Material	Area cm ²	Weight kg/m
OBC-50*50 L8	-	-	-	-	6000	Anodizad	AL-6063	-	1.100

L(Standard) : 6050 mm

OBC-60*60 L سبک

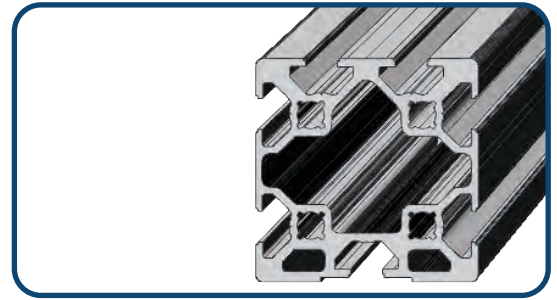
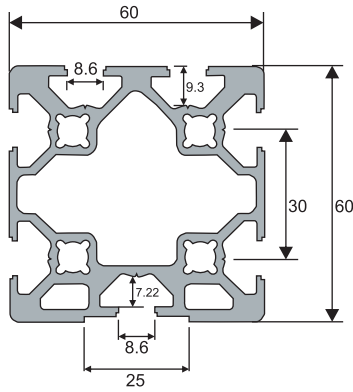
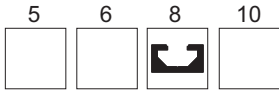


Part No.	Wy cm ³	Wx cm ³	Ly cm ⁴	Lx cm ⁴	L mm	coating	Material	Area cm ²	Weight kg/m
OBC-60*60 L	9.9	9.9	29.85	29.85	6000	Anodizad	AL-6063	8.8	2.46

L(Standard) : 6050 mm



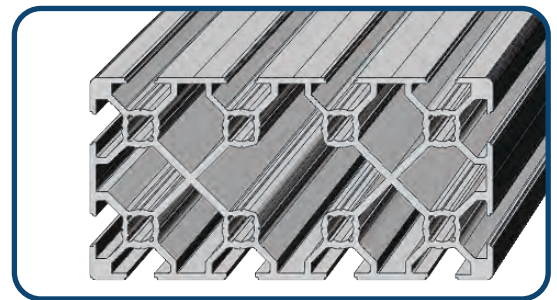
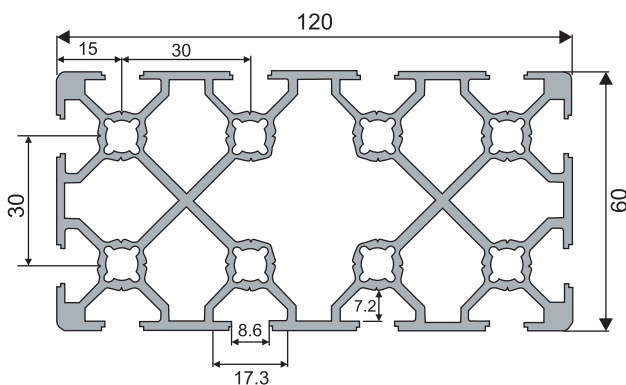
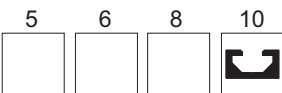
OBC-60*60 H سنگین



Part No.	Wy cm ³	Wx cm ³	Ly cm ⁴	Lx cm ⁴	L mm	coating	Material	Area cm ²	Weight kg/m
OBC-60*60 H	-	-	-	-	6000	Anodizad	AL-6063	-	2.700

L(Standard) : 6050 mm

OBC-60*120

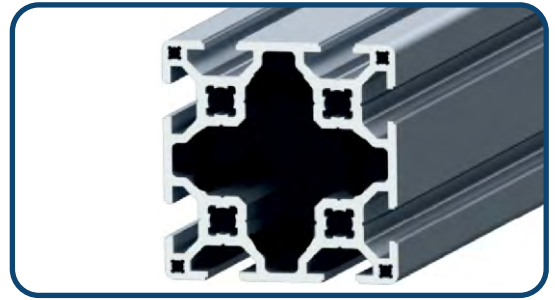
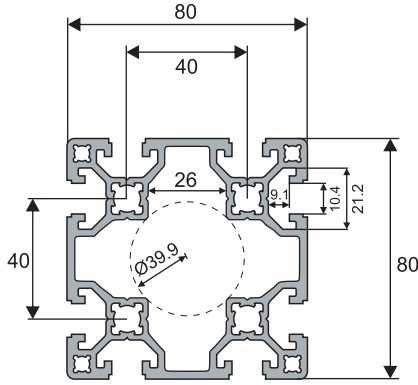
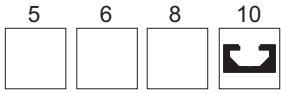


Part No.	Wy cm ³	Wx cm ³	Ly cm ⁴	Lx cm ⁴	L mm	coating	Material	Area cm ²	Weight kg/m
OBC-60*120	-	-	-	-	6000	Anodizad	AL-6063	-	4.490

L(Standard) : 6050 mm



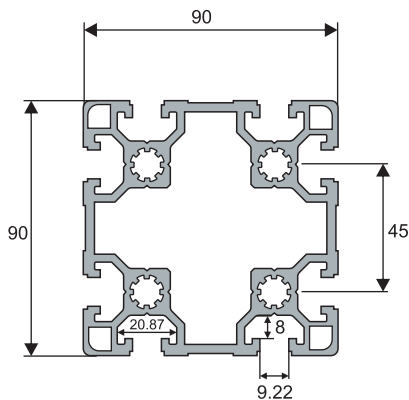
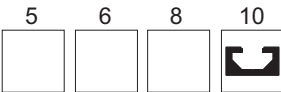
OBC-80*80



Part No.	Wy cm ³	Wx cm ³	Ly cm ⁴	Lx cm ⁴	L mm	coating	Material	Area cm ²	Weight kg/m
OBC-80*80	22.02	22.02	88.08	88.08	6000	Anodizad	AL-6063	11.91	3.22

L(Standard) : 6050 mm

OBC-90*90

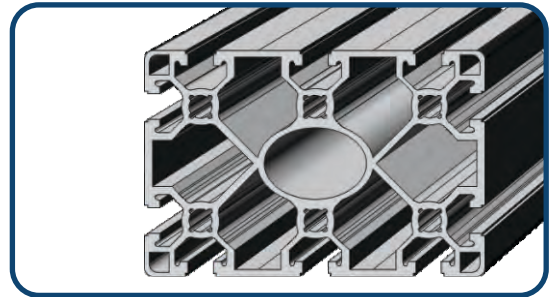
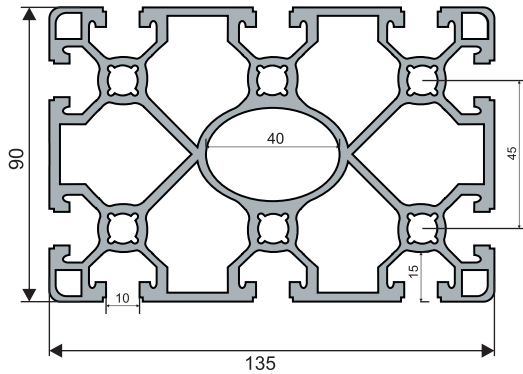
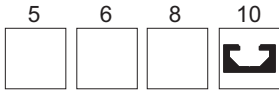


Part No.	Wy cm ³	Wx cm ³	Ly cm ⁴	Lx cm ⁴	L mm	coating	Material	Area cm ²	Weight kg/m
OBC-90*90	42.8	42.8	192.84	192.84	6000	Anodizad	AL-6063	20.67	5.58

L(Standard) : 6050 mm



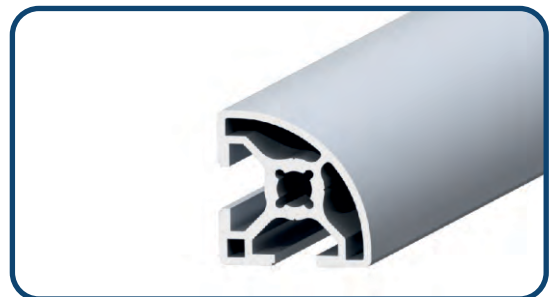
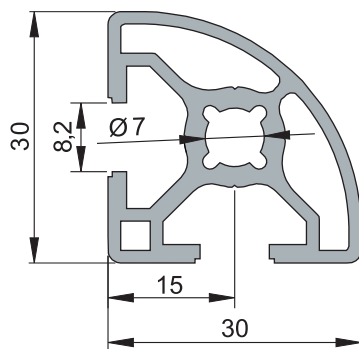
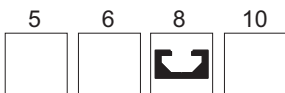
OBC-90*135



Part No.	Wy cm ³	Wx cm ³	Ly cm ⁴	Lx cm ⁴	L mm	coating	Material	Area cm ²	Weight kg/m
OBC-90*135	1	1	1	1	6000	Anodizad	AL-6063	1	7.400

L(Standard) : 6050 mm

OBC-30*30 R

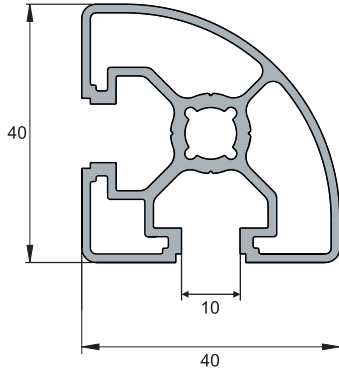
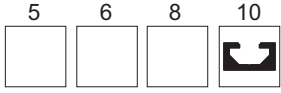


Part No.	Wy cm ³	Wx cm ³	Ly cm ⁴	Lx cm ⁴	L mm	coating	Material	Area cm ²	Weight kg/m
OBC-30*30 R	1.30	1.30	2.15	2.15	6000	Anodizad	AL-6063	2.78	0.820

L(Standard) : 6050 mm



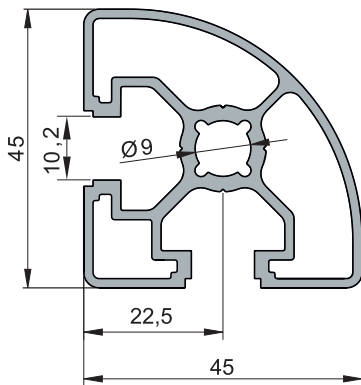
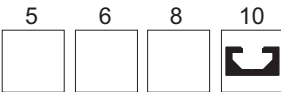
OBC-40*40 R



Part No.	Wy cm ³	Wx cm ³	Ly cm ⁴	Lx cm ⁴	L mm	coating	Material	Area cm ²	Weight kg/m
OBC-40*40 R	-	-	-	-	6000	Anodizad	AL-6063	-	1.440

L(Standard) : 6050 mm

OBC-45*45 R

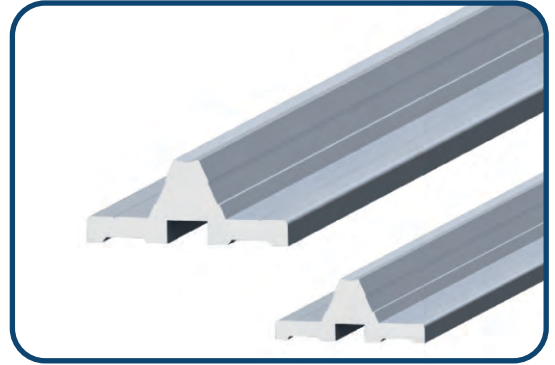
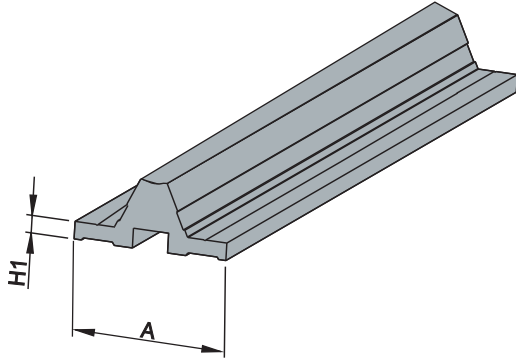


Part No.	Wy cm ³	Wx cm ³	Ly cm ⁴	Lx cm ⁴	L mm	coating	Material	Area cm ²	Weight kg/m
OBC-45*45 R	3.38	3.38	8.5	8.5	6000	Anodizad	AL-6063	4.46	1.680

L(Standard) : 6050 mm



SAC



Part No.	Weight kg/m	A	H1
SAC 20	1.23	55	6
SAC 25	1.44	65	10

L(Standard) : 6050 mm

