

## OSKOYI BALLBEARING

OSKO SANAT TAVREJ

Linear Guide

Ball Screw

Ball Spline

دفتر مرکزی:

تهران، خیابان امیر کبیر، کوچه

ناظم الاطباء، پاساژ مبصر، پلاک ۴

تلفن:

۳۳۹۵۱۶۶۰-۳۳۹۱۳۳۶۴

۳۳۹۸۴۰۵۱-۳۳۹۸۴۶۱۲

نمبر:

۳۳۹۸۵۶۰۳

[WWW.1OBC.COM](http://WWW.1OBC.COM)

[Behan772000@yahoo.com](mailto:Behan772000@yahoo.com)

**Strong R&D Capility**

**Complete Production Line**

**Quick Delivery**





## مشتریان گرامی:

در راستای توسعه اقتصاد پایدار و نیل در جهت دستیابی به اقتصاد فراگیر داخلی، بلبرینگ اسکونی افتخار دارد به منظور تامین قطعات و تهیه انواع برینگ ها با همکاران، تولید کنندگان و تشکل های صنعتی همکاری صمیمانه داشته باشد.

بلبرینگ اسکونی افتخار دارد با سابقه طولانی و داشتن نمایندگی های انحصاری از شرکت های معتبر خارجی در زمینه تهیه و توزیع سیستم های جدید بلبرینگ ( لاینر ریل سیستم ، لاینر بال بوش سیستم ، بال اسکرو، بک استاپ ( یک طرف گرد قفلی و ... ) سفارشات مشتریان خود را با هر مارک و هر تیپ که باشد در سریعترین زمان تهیه و تحویل نماید.

بلبرینگ اسکونی با کادری مجرب قادر هست نیاز شما عزیزان را از لحاظ تامین قطعات و مشاوره فنی و ارائه کاتالوگ های استاندارد این قطعات جواب گو باشد.

تحویل کالا برند ها و مارک های ذیل در کمترین زمان اعلام شده ممکن می باشد.

با تشکر

بلبرینگ اسکونی

ACME CHAIN	CHAR LYNN	HIEM	MRC	SAGINAW
AETNA BEARING	CHICAGO RAWHIDE	HFH	NACHI	ACHATZ
AKT	CONSOLIDATED BRG	HILLIRAD	NADELLA	SKF
ALINLEABAL	COPPER BRG	HIRSCHMANN	NATIONAL	SMB
AMERICAN ROLLER BRG	CORLETT-TUNER	HOOVER	NB	SMITH
ANDREWS	DAYCO	HORTON	NEW DEPARTURE	SNR
AKSUBAL	DIAMOND CHAIN	HUB CITY	NEW HAMPSHIRE	SPHERCO
ATLAS	DODGE	HYATT	NICE	SPIROLOX
AURIRA	EATON	INA	NOOK	T.B. WOODS
BALDOR	FAFNIR	JAF	NTN	THK
BALL&ROLLER BRG CO	FAG	JOHN DEERE	OSBORNE	THOMSON
BARDEN	FALK	KAYDON	RBC	TIMKEN
BCA	FEDERAL-MOGUL	KILIAN	REEVES	TORRINGTON
BOSTON GEAR	GAMET	LEMPCO	RELIANCE ELECTRIC	TRINGLE
BOWER	GARLOCK	LINK BELT	REXNORD	TSUBAKI
BREWER	GATES	LOVEJOY	RINGSPANN	TYSON
BROWNING	GENBAERCO	MATTHEWS	RMB	UNIBAL
CAMCO	GMN	MESSINGER	ROSE	UNION CHAIN
CARR LANE	GOOD YEAR	MPB	ROTHERS	ZERO MAX





**Contents**

1- TBI Linear Guide .....	5-12	28- Spindel Motor .....	56
2- TBI Ball Splain .....	13-17	29- Linear Roller Bearing .....	57
3- TBI Ball Screw .....	18-35	30- Aluminium Profile .....	58-59
4-Linear Motion Technology .....	36	31- Ballbearings .....	60
5- Ball Screw Support Unit .....	37	32- Stainless Steel Bearings .....	61
6- Linear Bushing Syetem .....	38-39	33- Flexible Corrugated Tube .....	62
7- سیستم های ریلی ساچمه ای .....	40	34- Cable Carrier System .....	63
8- سیستم های خطی بدون ساچمه .....	40	35- High Temperature Bearings .....	64
9- سیستم های خطی شیار دار .....	40	36- Ball Transfer .....	64
10- Step Motors & Mach3 Control System .....	41	37- Linear Technology .....	65
11- Automatical Lubrication System .....	42	38- Support Unit .....	65
12- Back Stop System .....	43	39- Machine Mounts .....	66-67
13- Coupling .....	44	39- شفت های هارد کروم .....	68-69
14- Universal Jionts .....	45	40- گیره های اتصال سریع .....	70-73
15- Power Lock .....	46	41- سیستم موتورهای خطی .....	74-76
16- coupling System .....	47		
17- Pully Timing .....	48		
18- Rock & Pinion .....	49		
19- Lead Screw .....	50		
20- Jack Screw .....	51		
21- X.Y Table .....	52		
22- سیستم های حرکت سه محور .....	53		
23- bearing Unit .....	54		
24- Rod & Bearing .....	55		
25- Spherical Plan Bearing .....	55		
26- Cam Follower Bearing .....	55		
27- Cover for Linear System .....	55		







## Linear Guide

# TBI MOTION®

MADE IN TAIWAN

TBI MOTION

## Linear Guide

TR-Ball Series

(TRH-V)(TRH-F)(TRS-V)

(TRS-F)(TRC-V)

T M- Miniature Series

(T M-N)

(T M-W)

TBI MOTION

## Ball Spline

ASIA-TYPE

(SLF)

(SLT)

EU-TYPE

TBI MOTION

## Ball Screw

Internal Return Series

(SCI)(SFI)(DFI)(SFU)(DFU)(SFM)(DFM)

External Return Series

(SFV)(DFV)

End Cap Return Series

(SFE)(SFY)(SFS)(DFS)

Ground with end  
Machining Series (XSV)

Cylindrical Series (BSH)  
(SCI)

Rotary Series (RFE)

Page 5 to 12

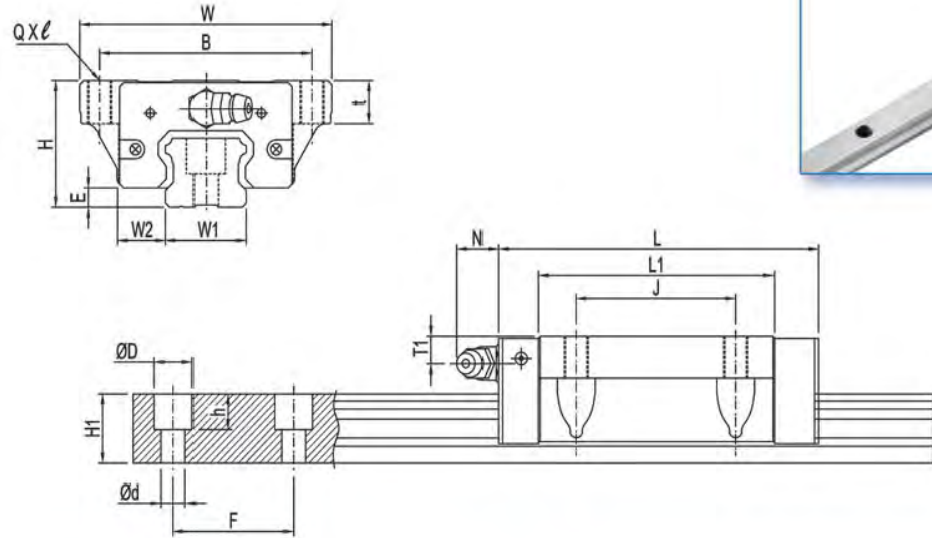
Page 13 to 17

Page 18 to 35





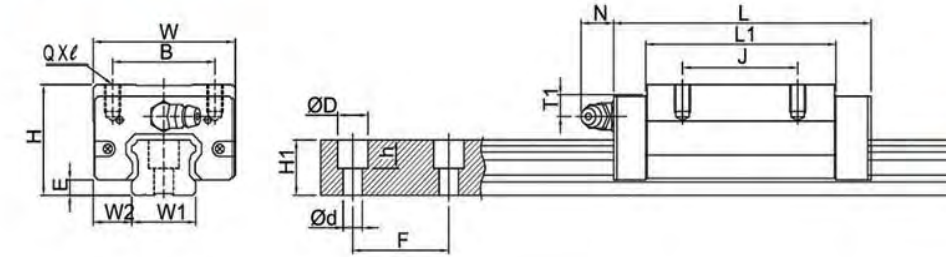
2) TRH-F



Linear Guide

\* TR-Ball Series

1) TRH-V

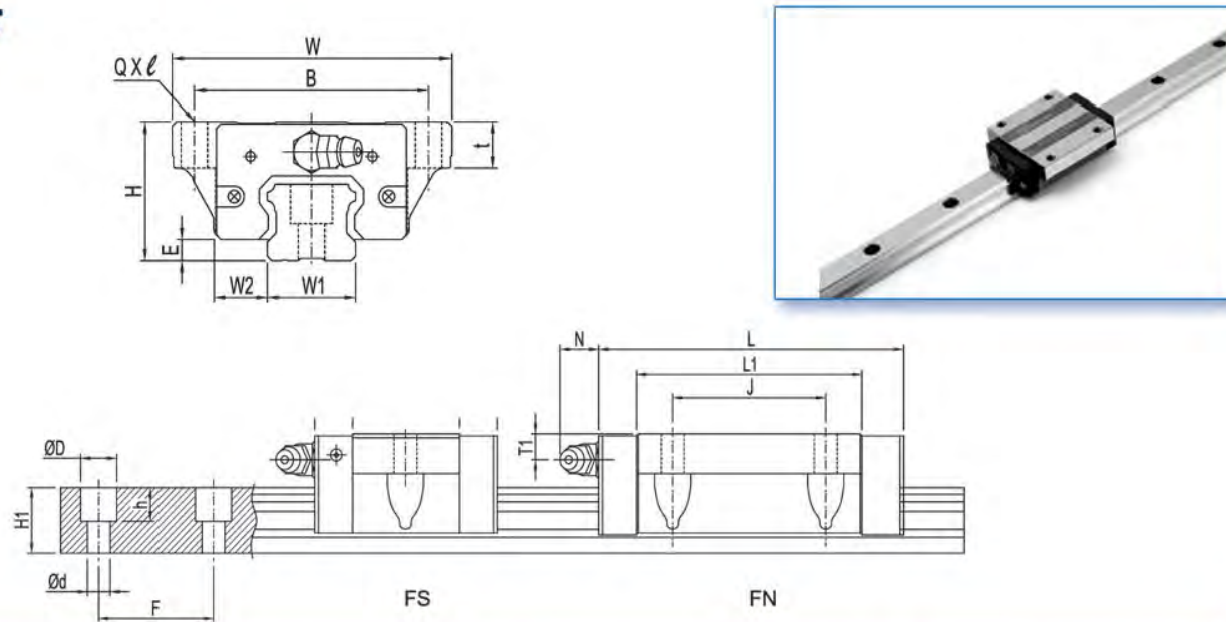


Model No.	Assembly(mm)			Block(mm)								Rail(mm)								
	H	W2	E	W	B	J	t	L	L1	QXℓ	T1	Oil Hole	N	W1	H1	ØD	h	Ød	F	
TRH15FN								55.9	39.5											
TRH15FL	24	16	3.2	47	38	30	8	64.4	48	M5X8	5.5	M4X0.7	7	15	13	7.5	6	4.5	60	
TRH15FE								79.4	63											
TRH20FN								74	54											
TRH20FL	30	21.5	4.6	63	53	40	10	79	59	M6X10	6.5	M6X1	14	20	16.5	9.5	8.5	6	60	
TRH20FE								98	78											
TRH25FN								80	59											
TRH25FL	36	23.5	5.8	70	57	45	12	92	71	M8X12	7.5	M6X1	14	23	20	11	9	7	60	
TRH25FE								109	88											
TRH30FL	42	31	7	90	72	52	15	106	80	M10X15	8	M6X1	14	28	23	14	12	9	80	
TRH30FE								131	105											
TRH35FL	48	33	7.5	100	82	62	15	122	93	M10X15	8	M6X1	14	34	26	14	12	9	80	
TRH35FE								152	123											
TRH45FL	60	37.5	8.9	120	100	80	18	140	106	M12X18	10.5	PT1/8	12.5	45	32	20	17	14	105	
TRH45FE								174	140											
TRH55FL	70	43.5	13	140	116	95	29	162	118	M14X17	11	PT1/8	12.5	53	44	23	20	16	120	
TRH55FE								200.1	156.1											
TRH65FL	90	53.5	14	170	142	110	37	197	147	M16X23	19	PT1/8	12.5	63	53	26	22	18	150	
TRH65FE								256.5	206.5											

Model No.	Assembly(mm)			Block(mm)								Rail(mm)							
	H	W2	E	W	B	J	L	L1	QXℓ	T1	Oil Hole	N	W1	H1	ØD	h	Ød	F	
TRH15VN	28	9.5	3.2	34	26	26	55.9	39.5	M4X5	9.5	M4X0.7	7	15	13	7.5	6	4.5	60	
TRH15VL							64.4	48											
TRH20VN							74	54											
TRH20VL	30	12	4.6	44	32	36	79	59	M5X5	6.5	M6X1	14	20	16.5	9.5	8.5	6	60	
TRH20VE							50	98											
TRH25VN							80	59											
TRH25VL	40	12.5	5.8	48	35	35	92	71	M6X8	11.5	M6X1	14	23	20	11	9	7	60	
TRH25VE							50	109											
TRH30VN							95.3	69.3											
TRH30VL	45	16	7	60	40	40	106	80	M8X10	11	M6X1	14	28	23	14	12	9	80	
TRH30VE							60	131											
TRH35VN							108	79											
TRH35VL	55	18	7.5	70	50	50	122	93	M8X10	15	M6X1	14	34	26	14	12	9	80	
TRH35VE							72	152											
TRH45VL	70	20.5	8.9	86	60	60	140	106	M10X15	20.5	PT1/8	12.5	45	32	20	17	14	105	
TRH45VE							80	174											
TRH55VL	80	23.5	13	100	75	75	163	118	M12X18	21	PT1/8	12.5	53	44	23	20	16	120	
TRH55VE							95	201.1											
TRH65VL	90	31.5	14	126	76	70	197	147	M16X20	19	PT1/8	12.5	63	53	26	22	18	150	
TRH65VE							120	256.5											

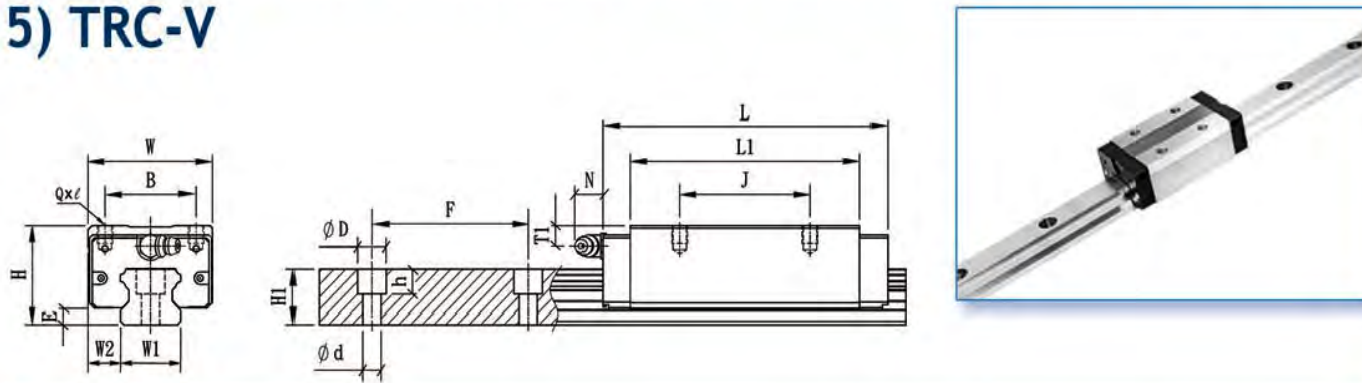


### 4) TRS-F



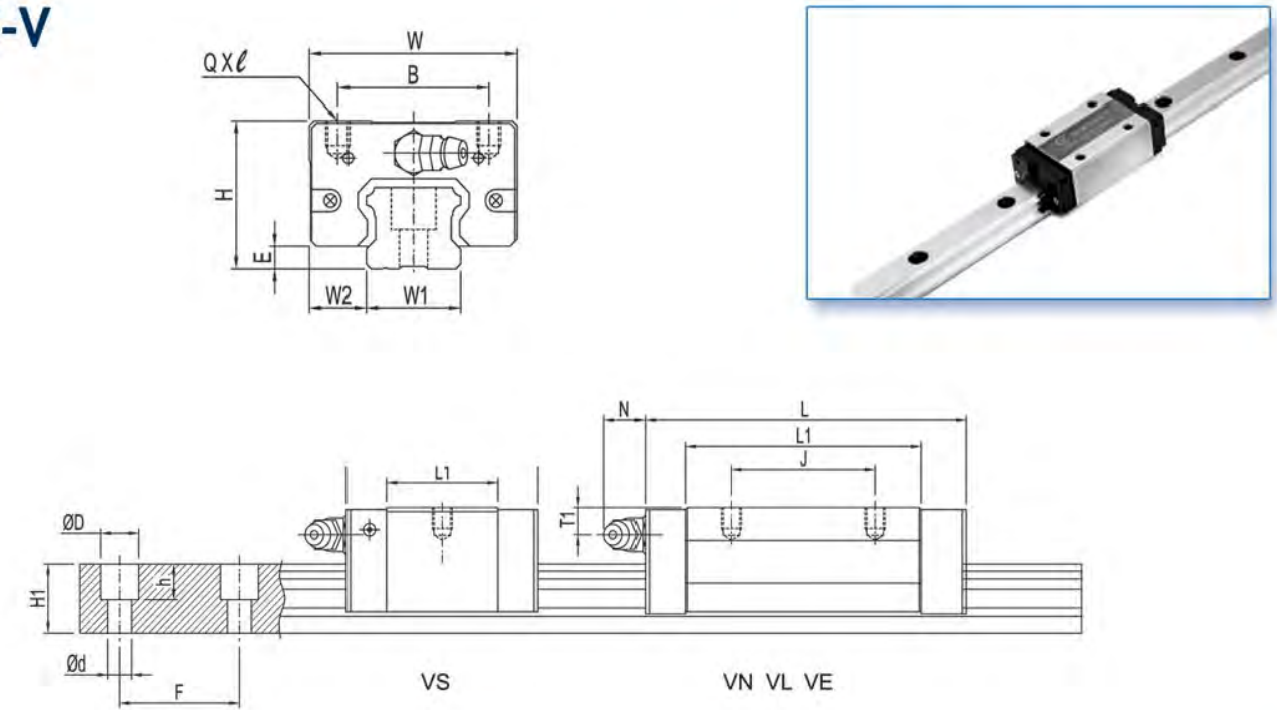
Model No.	Assembly(mm)			Block(mm)										Rail(mm)						
	H	W2	E	W	B	J	t	L	L1	QXℓ	T1	Oil Hole	N	W1	H1	∅D	h	∅d	F	
TRS15FS	24	18.5	3.2	52	41	26	7	39.3	22.9	∅4.5X7	5.5	M4X0.7	7	15	13	7.5	6	4.5	60	
TRS15FN								55.9	39.5											
TRS20FS	28	19.5	4.6	59	49	32	9	47.8	27.8	∅5.5X9	4.5	M6X1	14	20	16.5	9.5	8.5	6	60	
TRS20FN								66.7	46.7											
TRS25FS	33	25	5.8	73	60	35	10	56.2	35.2	∅7X10	4.5	M6X1	14	23	20	11	9	7	60	
TRS25FN								80	59											
TRS30FS	42	31	7	90	72	40	10	66.4	40.4	∅9X10	8	M6X1	14	28	23	14	12	9	80	
TRS30FN								95.3	69.3											
TRS35FS	48	33	7.5	100	82	50	13	74.7	45.7	∅9X13	8	M6X1	14	34	26	14	12	9	80	
TRS35FN								108	79											
TRS45FN	60	37.5	8.9	120	100	60	15	124.5	90.5	∅11X15	10.5	PT1/8	12.5	45	32	20	17	14	105	

### 5) TRC-V



Model No.	Assembly(mm)				Block(mm)										Rail(mm)					
	H	W	W2	E	L	B	J	QXℓ	L1	油孔	T1	N	W1	H1	F	∅D	h	∅d		
TRC25VL	36	48	12.5	5.8	92	35	35	M6x6.5	71	M6x1	7.5	12	23	20	60	11	9	7		
TRC25VE					109		50		88											

### 3) TRS-V

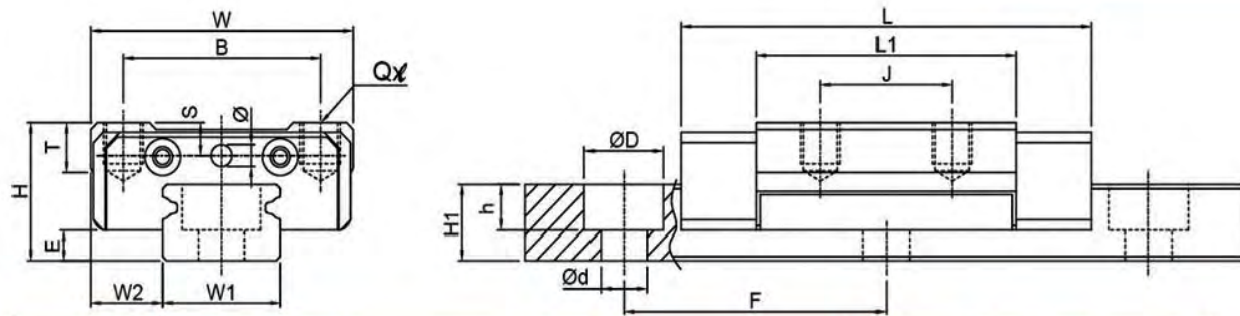


Model No.	Assembly(mm)			Block(mm)										Rail(mm)					
	H	W2	E	W	B	J	L	L1	QXℓ	T1	Oil Hole	N	W1	H1	∅D	h	∅d	F	
TRS15VS	24	9.5	3.2	34	26	39.3	22.9	M4X5	5.5	M4X0.7	7	15	13	7.5	6	4.5	60		
TRS15VN						26	55.9											39.5	
TRS15VL						26	64.4											48	
TRS15VE						34	79.4											63	
TRS20VS	28	11	4.6	42	32	47.8	27.8	M5X5	4.5	M6X1	14	20	16.5	9.5	8.5	6	60		
TRS20VN						32	66.7											46.7	
TRS25VS	33	12.5	5.8	48	35	56.2	35.2	M6X6	4.5	M6X1	14	23	20	11	9	7	60		
TRS25VN						35	80											59	
TRS30VS	42	16	7	60	40	66.4	40.4	M8X8	8	M6X1	14	28	23	14	12	9	80		
TRS30VN						40	95.3											69.3	
TRS30VL						40	106											80	
TRS30VE						60	131											105	
TRS35VS	48	18	7.5	70	50	74.7	45.7	M8X8	8	M6X1	14	34	26	14	12	9	80		
TRS35VN						50	108											79	
TRS35VL						50	122											93	
TRS35VE						72	152											123	
TRS45VN	60	20.5	8.9	86	60	124.5	90.5	M10X15	10.5	PT1/8	12.5	45	32	20	17	14	105		
TRS45VL						60	140											106	
TRS45VE						80	174											140	

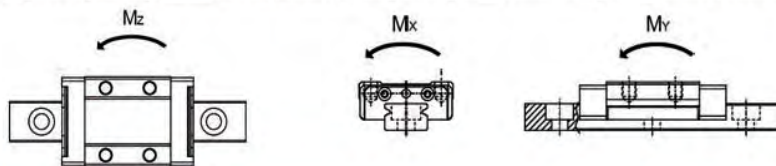


**\* TM-Miniature Series**

**1) TM-N**



Model No.	Assembly(mm)			Block(mm)							Rail(mm)						
	H	W2	E	W	B	J	T	L	L1	Qx l	Φ	W1	H1	ØD	h	Ød	F
TM07NN	8	5	1.5	17	12	8	2.25	23	12.3	M2x2	1.3	7	4.7	4.2	2.3	2.4	15
TM07NL	8	5	1.5	17	12	13	2.25	31	20.3	M2x2	1.3	7	4.7	4.2	2.3	2.4	15
TM09NN	10	5.5	2.2	20	15	10	3.62	30.5	19.8	M3x3	1.3	9	5.5	6	3.3	3.5	20
TM09NL	10	5.5	2.2	20	15	16	3.62	40.8	30.1	M3x3	1.3	9	5.5	6	3.3	3.5	20
TM12NN	13	7.5	3	27	20	15	4.54	35	20.6	M3x3.5	1.3	12	7.5	6	4.5	3.5	25
TM12NL	13	7.5	3	27	20	20	4.54	47.5	33.1	M3x3.5	1.3	12	7.5	6	4.5	3.5	25
TM15NN	16	8.5	4	32	25	20	5.86	43	27	M3x5	1.3	15	9.5	6	4.5	3.5	40
TM15NL	16	8.5	4	32	25	25	5.86	60	44	M3x5	1.3	15	9.5	6	4.5	3.5	40



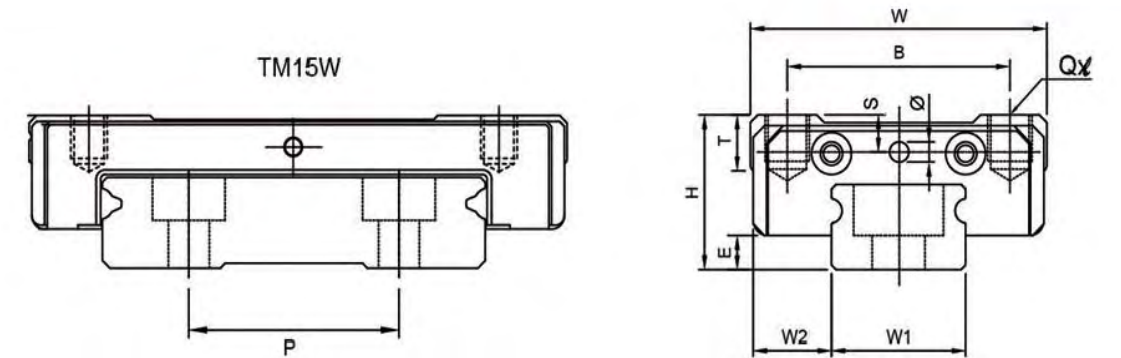
Model No.	Rating Load (kgf)		Static permissible moment of load					Weight		
	C	Co	Mx(kgf-mm)		My(kgf-mm)		Mz(kgf-mm)		Block (kg)	Rail (kg/m)
			Single Block	Double Block	Single Block	Double Block	Single Block	Double Block		
TM07NN	144	204	745	232	3,234	232	3,234	0.005	0.21	
TM07NL	220	374	1,367	849	7,261	849	7,261	0.009		
TM09NN	220	374	1,713	849	7,117	849	7,117	0.013	0.32	
TM09NL	299	579	2,648	2,099	14,174	2,099	14,174	0.020		
TM12NN	381	536	3,269	1,094	12,391	1,094	12,391	0.024	0.61	
TM12NL	555	919	5,604	3,437	26,857	3,437	26,857	0.039		
TM15NN	581	834	6,336	2,316	23,096	2,316	23,096	0.048	1	
TM15NL	860	1,459	11,088	7,527	52,908	7,527	52,908	0.080		



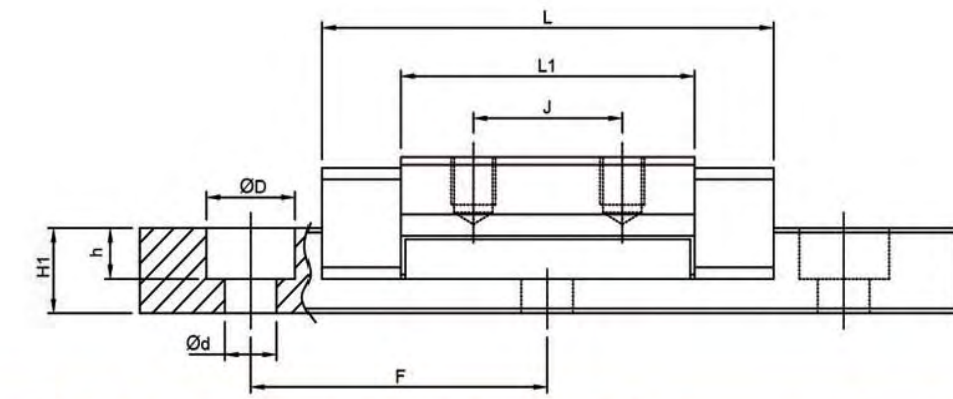




2) TM-W



Model No.	Assembly(mm)			Block(mm)								Rail(mm)						
	H	W2	E	W	B	J	T	L	L1	Qx	φ	W1	H1	∅D	h	∅d	F	P
TM09WN	12	6	3.4	30	23	12	4	39.1	26.7	M3x3	1.3	18	7.3	6	4.5	3.5	30	
TM09WL	12	6	3.4	30	23	24	4	50.7	38.3	M3x3	1.3	18	7.3	6	4.5	3.5	30	
TM12WN	14	8	3.9	40	28	15	4.5	44.4	29	M3x3.5	1.3	24	8.5	8	4.5	4.5	40	
TM12WL	14	8	3.9	40	28	28	4.5	59.4	44	M3x3.5	1.3	24	8.5	8	4.5	4.5	40	
TM15WN	16	9	4.1	60	45	20	4.8	55.3	38.5	M4x4.5	1.3	42	9.5	8	4.5	4.5	40	23
TM15WL	16	9	4.1	60	45	35	4.8	74.4	57.6	M4x4.5	1.3	42	9.5	8	4.5	4.5	40	23



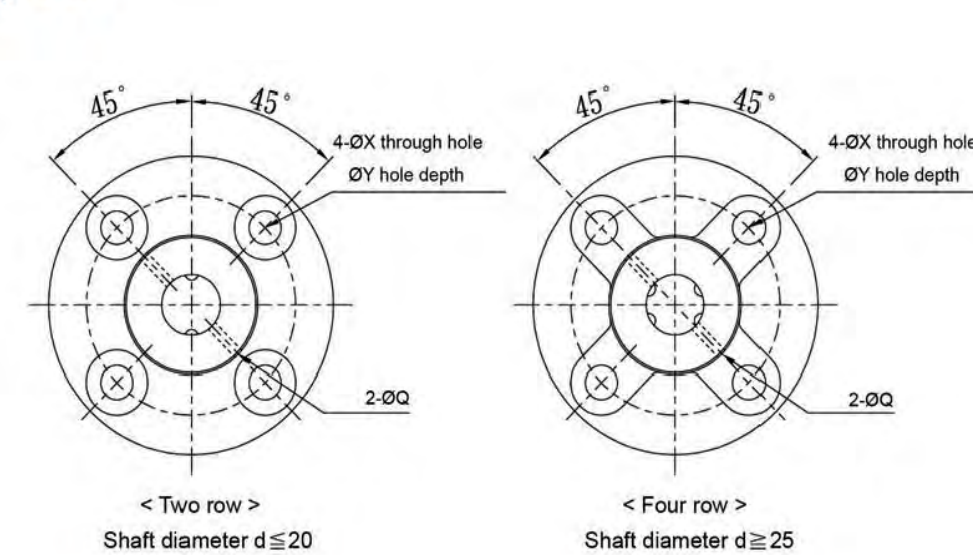
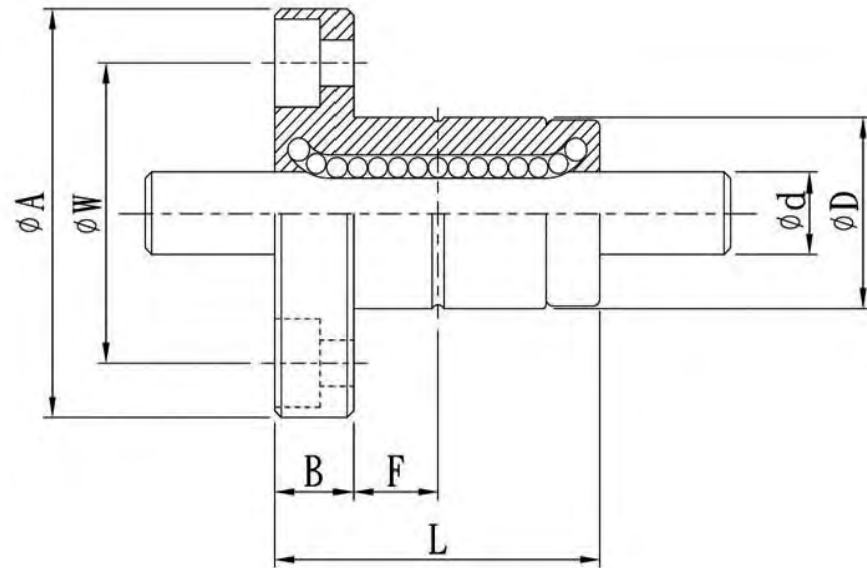
Model No.	Rating Load (kgf)		Static permissible moment of load					Weight		
	C	Co	Mx(kgf-mm)		My(kgf-mm)		Mz(kgf-mm)		Block (kg)	Rail (kg/m)
			Single Block	Double Block	Single Block	Double Block	Single Block	Double Block		
TM09WN	208	368	4,645	1,621	12,205	1,621	12,205	0.03	0.97	
TM09WL	260	509	7,123	3,905	23,411	3,905	23,411	0.043		
TM12WN	313	530	10,190	2,864	23,153	2,864	23,153	0.05	1.47	
TM12WL	415	796	15,748	7,083	46,164	7,083	46,164	0.076		
TM15WN	517	856	26,387	5,459	42,543	5,459	42,543	0.116	2.85	
TM15WL	686	1283	41,779	14,144	87,256	14,144	87,256	0.175		



# Ball Spline

## \* ASIA-TYPE

### 1) SLF

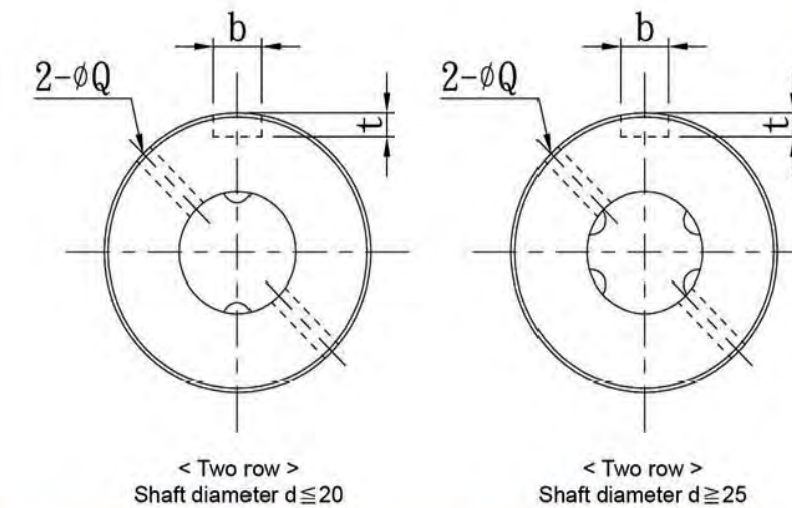
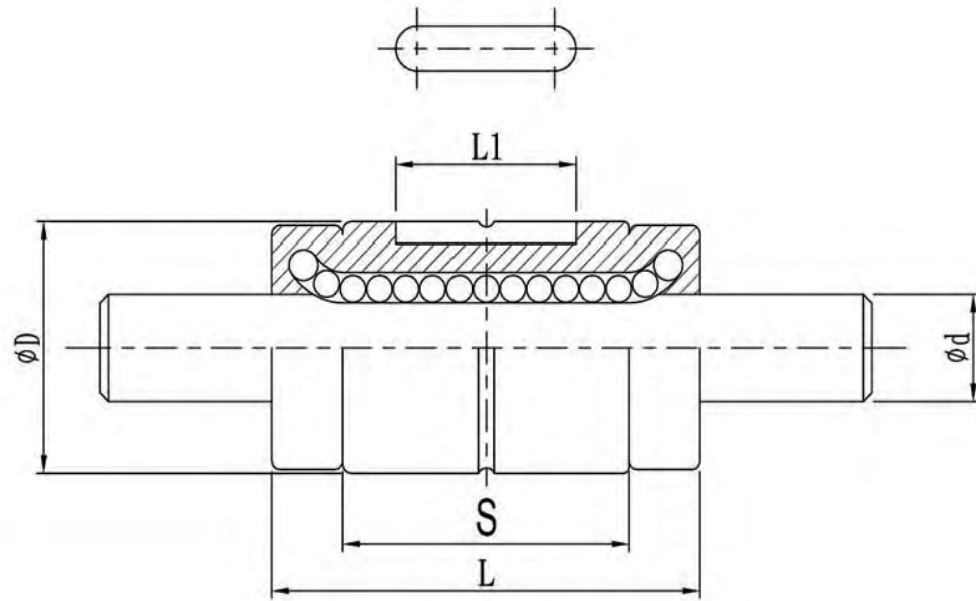


Nominal Diameter	Basic Rating Load		Basic torsional		Diameter		Mass	
	C	C0	CT	C0T	MA1	MA2	Spline Nut	Spline Shaft
	kgf	kgf	kgf · m	kgf · m	kgf · m	kgf · m	g	kg/m
SLF6	137	225	0.46	0.76	0.39	3.48	36.7	0.22
SLF8	137	225	0.60	0.99	0.39	3.82	47	0.39
SLF10	285	397	1.62	2.25	0.95	8.53	100	0.60
SLF13	396	540	2.89	3.94	1.50	12.46	117	1.03
SLF16	545	849	4.77	7.43	3.71	26.09	226	1.56
SLF20	724	1109	7.90	12.09	5.53	38.00	303	2.44
SLF25	1003	1593	21.99	43.01	10.35	68.59	458	3.80
SLF30	1160	1980	30.26	62.93	15.68	93.27	633	5.49
SLF40	2972	4033	105.37	176.05	36.59	246.34	1430	9.69
SLF50	4086	5615	179.89	304.35	51.58	428.72	2756	15.19

Nominal Diameter	Groove depth d h7	Row	Spline Nuts							
			D	L	A	B	F	Oil Q	W	Mouning hole X · Y · Z
SLF6	6	2	14	25	30	6	7.5	1	22	3.4 · 6.5 · 4.5
SLF8	8	2	16	27	32	8	7.5	1.5	24	3.4 · 6.5 · 4.5
SLF10	10	2	21	33	42	9	10.5	1.5	32	4.5 · 8 · 4
SLF13	13	2	24	36	44	9	11	1.5	33	4.5 · 8 · 4.5
SLF16	16	2	31	50	51	10	18	2	40	4.5 · 8 · 6
SLF20	20	2	35	56	58	10	18	2	45	5.5 · 9.5 · 5.4
SLF25	25	4	42	71	65	13	26.5	3	52	5.5 · 9.5 · 8
SLF30	30	4	47	80	75	13	30	3	60	6.6 · 11 · 8
SLF40	40	4	64	100	100	18	36	4	82	9 · 14 · 12
SLF50	50	4	80	125	124	20	46.5	4	102	11 · 17.5 · 12



## 2) SLT



Nominal Diameter	Basic Rating Load		Basic torsional		Diameter		Mass	
	C	C0	CT	C0T	MA1	MA2	Spline Nut	Spline Shaft
	kgf	kgf	kgf · m	kgf · m	kgf · m	kgf · m	g	kg/m
SLT6	137	225	0.46	0.76	0.39	3.48	14	0.22
SLT8	137	225	0.60	0.99	0.39	3.82	16	0.39
SLT10	285	397	1.62	2.25	0.95	8.53	37	0.60
SLT13	396	540	2.89	3.94	1.50	12.46	52	1.03
SLT16	545	849	4.77	7.43	3.71	26.09	130	1.56
SLT20	724	1109	7.90	12.09	5.53	38.00	188	2.44
SLT25	1003	1593	21.99	43.01	10.35	68.59	285	3.80
SLT30	1160	1960	30.26	62.93	15.68	93.27	395	5.49
SLT40	2972	4033	105.37	176.05	36.59	264.34	843	9.69
SLT50	4086	5615	179.89	304.35	51.58	428.72	1758	15.19

Nominal Diameter	Groove depth		Spline Nuts				Keyway Dimensions		
	d	Row	D	L	S	L1	Oil Q	b H8	t +0.05~0
	h7								
SLT6	6	2	14	25	16.7	10.5	1	2.5	1.2
SLT8	8	2	16	27	15.7	10.5	1.5	2.5	1.2
SLT10	10	2	21	33	20	13	1.5	3	1.5
SLT13	13	2	24	36	23	15	1.5	3	1.5
SLT16	16	2	31	50	34	17.5	2	3.5	2
SLT20	20	2	35	56	39.7	29	2	4	2.5
SLT25	25	4	42	71	50.3	36	3	4	2.5
SLT30	30	4	47	80	60	42	3	4	2.5
SLT40	40	4	64	100	70	52	4	6	3.5
SLT50	50	4	80	125	91	58	4	8	4

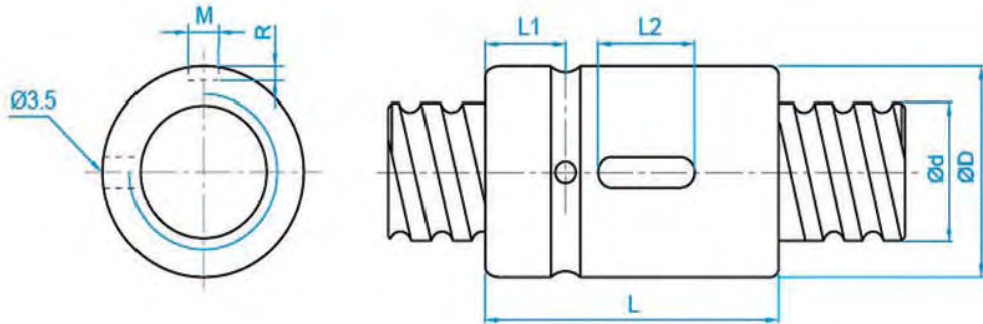
\* EU-TYPE



# Ball Screw

## \* Internal Return Series

### 1) SCI



Unit:mm

Model No.	d	l	Da	Dimension							Load (Kgf)		K
				D	L	L1	L2	M	R	n	Ca	Coa	
△ SCI01604-4	16	4	2.381	30	40	9	15	3	1.5	1x4	973	2406	32
★ SCI01605-4		5	3.175	30	45	9	20	5	3	1x4	1380	3052	33
△ SCI02004-4	20	4	2.381	34	40	9	15	3	1.5	1x4	1066	2987	37
★ SCI02005-4		5	3.175	34	45	9	20	5	3	1x4	1551	3875	39
△ SCI02504-4	25	4	2.381	40	40	9	15	3	1.5	1x4	1180	3795	43
★ SCI02505-4		5	3.175	40	45	9	20	5	3	1x4	1724	4904	45
△ SCI02510-4	10	4.762	46	85	13	30	5	3	1x4	2954	7295	51	
△ SCI03204-4	32	4	2.381	46	40	9	15	3	1.5	1x4	1296	4838	49
★ SCI03205-4		5	3.175	46	45	9	20	5	3	1x4	1922	6343	52
★ SCI03210-4	10	6.35	54	85	13	30	5	3	1x4	4805	12208	62	
★ SCI04005-4	40	5	3.175	56	45	9	20	5	3	1x4	2110	7988	59
★ SCI04010-4		10	6.35	62	85	13	30	5	3	1x4	5399	15500	72
△ SCI05010-4	50	10	6.35	72	85	13	30	5	3	1x4	6004	19614	83
○ SCI06310-4	63	10	6.35	85	85	13	30	6	3.5	1x4	6719	25358	95
○ SCI08010-4	80	10	6.35	105	85	13	30	8	4.5	1x4	7346	31953	109



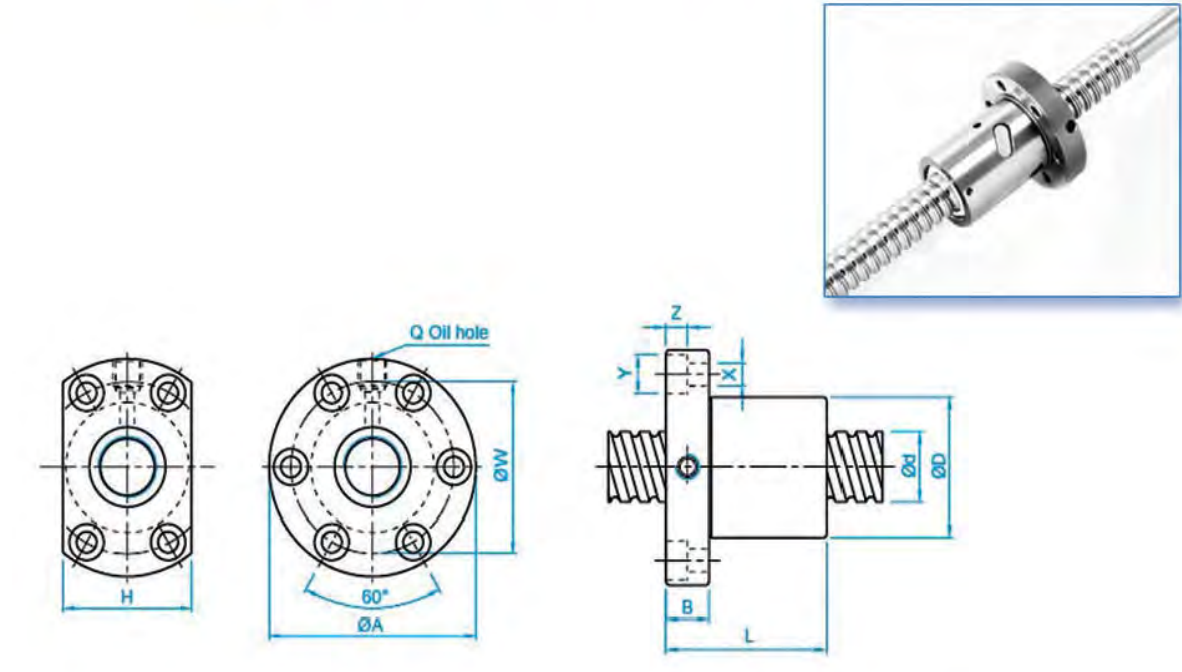
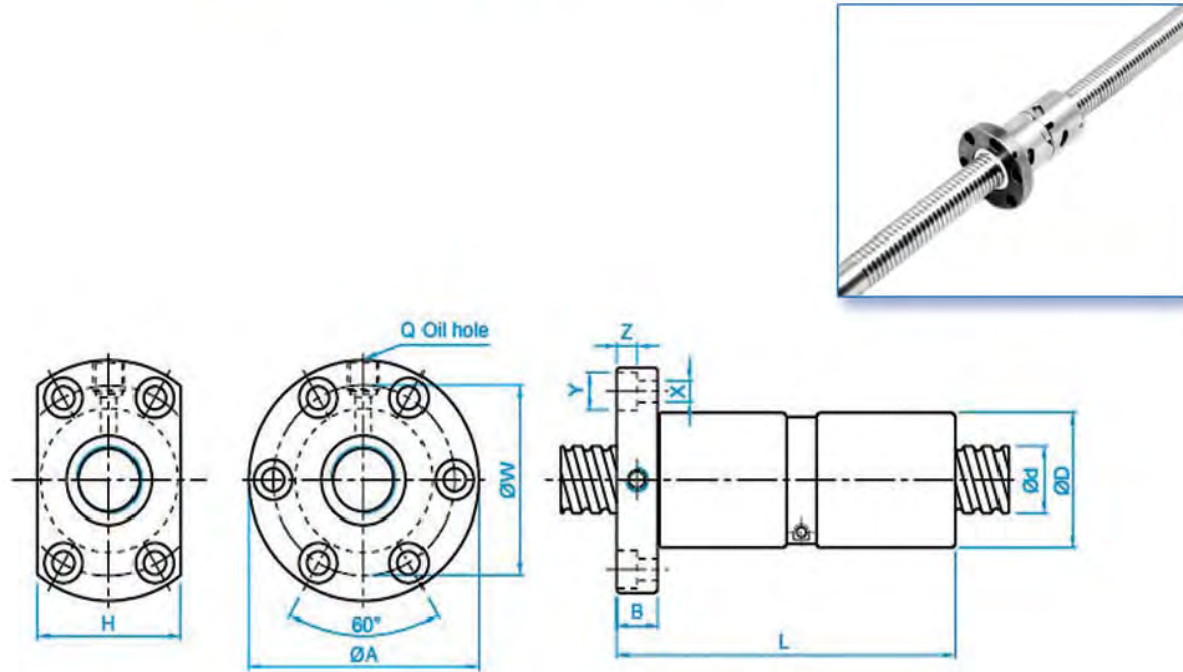


**TBI TBI MOTION**

**TBI TBI MOTION**

3) DFI

2) SFI



Unit:mm

Model No.	d	l	Da	Dimension											Load (Kgf)		K
				D	A	B	L	W	H	X	Y	Z	Q	n	Ca	Coa	
DFI01604-4	16	4	2.381	30	49	10	80	39	34	4.5	8	4.5	M6	1x4	973	2406	44
DFI01605-4	16	5	3.175	30	49	10	100	39	34	4.5	8	4.5	M6	1x4	1380	3052	44
DFI02004-4	20	4	2.381	34	57	11	80	45	40	5.5	9.5	5.5	M6	1x4	1066	2987	51
DFI02005-4	20	5	3.175	34	57	11	101	45	40	5.5	9.5	5.5	M6	1x4	1551	3875	52
DFI02504-4	25	4	2.381	40	63	11	80	51	46	5.5	9.5	5.5	M6	1x4	1180	3795	60
DFI02505-4	25	5	3.175	40	63	11	101	51	46	5.5	9.5	5.5	M8	1x4	1724	4094	62
DFI02510-4	25	10	4.762	46	72	12	145	58	52	6.5	11	6.5	M6	1x4	2954	7295	68
DFI03204-4	32	4	2.381	46	72	12	80	58	52	6.5	11	6.5	M6	1x4	1296	4838	69
DFI03205-4	32	5	3.175	46	72	12	102	58	52	6.5	11	6.5	M8	1x4	1922	6343	72
DFI03210-4	32	10	6.35	54	88	15	162	70	62	9	14	8.5	M8	1x4	4805	12208	83
DFI04005-4	40	5	3.175	56	90	15	105	72	64	9	14	8.5	M8	1x4	2110	7988	84
DFI04010-4	40	10	6.35	62	104	18	165	82	70	11	17.5	11	M8	1x4	5399	15500	99
DFI05010-4	50	10	6.35	72	114	18	171	92	82	11	17.5	11	M8	1x4	6004	19614	115
DFI06310-4	63	10	6.35	85	131	22	182	107	95	14	20	13	M8	1x4	6719	25358	135
DFI08010-4	80	10	6.35	105	150	22	182	127	115	14	20	13	M8	1x4	7346	31953	156

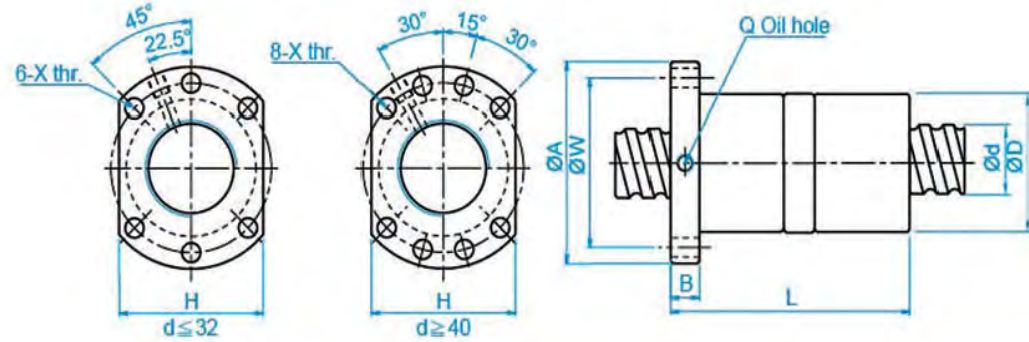
Unit:mm

Model No.	d	l	Da	Dimension											Load (Kgf)		K
				D	A	B	L	W	H	X	Y	Z	Q	n	Ca	Coa	
SFI01604-4	16	4	2.381	30	49	10	45	39	34	4.5	8	4.5	M6	1x4	973	2406	32
SFI01605-4	16	5	3.175	30	49	10	50	39	34	4.5	8	4.5	M6	1x4	1380	3052	33
SFI01610-3	16	10	3.175	34	58	10	57	45	34	5.5	9.5	5.5	M6	1x3	1103	2401	27
SFI02004-4	20	4	2.381	34	57	11	46	45	40	5.5	9.5	5.5	M6	1x4	1066	2987	37
SFI02005-4	20	5	3.175	34	57	11	51	45	40	5.5	9.5	5.5	M6	1x4	1551	3875	39
SFI0205T-4	20	5.08	3.175	34	57	11	51	45	40	5.5	9.5	5.5	M6	1x4	1550	3875	39
SFI02504-4	25	4	2.381	40	63	11	46	51	46	5.5	9.5	5.5	M6	1x4	1180	3795	43
SFI02505-4	25	5	3.175	40	63	11	51	51	46	5.5	9.5	5.5	M8	1x4	1724	4904	45
SFI02510-4	25	10	4.762	46	72	12	85	58	52	6.5	11	6.5	M6	1x4	2954	7295	51
SFI03204-4	32	4	2.381	46	72	12	47	58	52	6.5	11	6.5	M6	1x4	1296	4838	49
SFI03205-4	32	5	3.175	46	72	12	52	58	52	6.5	11	6.5	M8	1x4	1922	6343	52
SFI03210-4	32	10	6.35	54	88	15	90	70	62	9	14	8.5	M8	1x4	4805	12208	62
SFI04005-4	40	5	3.175	56	90	15	55	72	64	9	14	8.5	M8	1x4	2110	7988	59
SFI04010-4	40	10	6.35	62	104	18	93	82	70	11	17.5	11	M8	1x4	5399	15500	72
SFI05010-4	50	10	6.35	72	114	18	93	92	82	11	17.5	11	M8	1x4	6004	19614	83
SFI06310-4	63	10	6.35	85	131	22	98	107	95	14	20	13	M8	1x4	6719	25358	95
SFI08010-4	80	10	6.35	105	150	22	98	127	115	14	20	13	M8	1x4	7346	31953	109



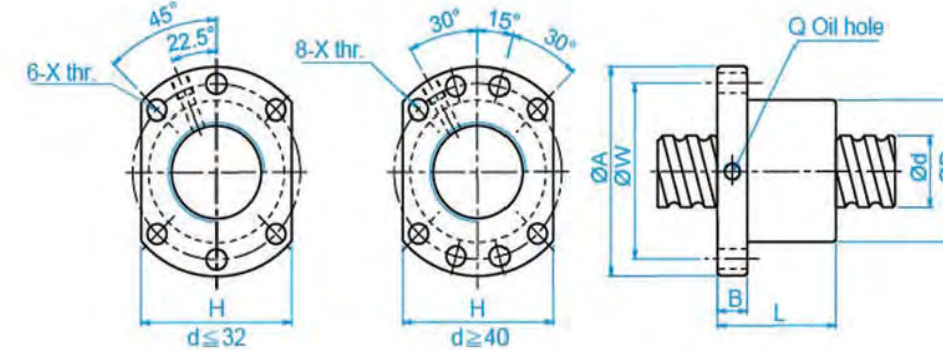
5) DFU

SFU(DIN 69051 FORM B) Series Dimension Table



4) SFU

DFU(DIN 69051 FORM B) Series Dimension Table



Unit:mm

Unit:mm

Model No.	d	l	Da	Dimension										Load (Kgf)		K
				D	A	B	L	W	H	X	Q	n	Ca	Coa		
△ DFU01604-4	16	4	2.381	28	48	10	80	38	40	5.5	M6	1x4	973	2406	43	
☆ DFU01605-4		5	3.175	28	48	10	100	38	40	5.5	M6	1x4	1380	3052	44	
☆ DFU01610-3		10	3.175	28	48	10	118	38	40	5.5	M6	1x3	1103	2401	35	
△ DFU02004-4	20	4	2.381	36	58	10	80	47	44	6.6	M6	1x4	1066	2987	51	
☆ DFU02005-4		5	3.175	36	58	10	101	47	44	6.6	M6	1x4	1551	3875	53	
△ DFU02504-4	25	4	2.381	40	62	10	80	51	48	6.6	M6	1x4	1180	3795	60	
☆ DFU02505-4		5	3.175	40	62	10	101	51	48	6.6	M6	1x4	1724	4904	62	
■ DFU02506-4		6	3.969	40	62	10	105	51	48	6.6	M6	1x4	2318	6057	64	
■ DFU02508-4		8	4.762	40	62	10	120	51	48	6.6	M6	1x4	2963	7313	67	
○ DFU02510-4	10	4.762	40	62	12	145	51	48	6.6	M6	1x4	2954	7295	67		
△ DFU03204-4	32	4	2.381	50	80	12	80	65	62	9	M6	1x4	1296	4838	71	
☆ DFU03205-4		5	3.175	50	80	12	102	65	62	9	M6	1x4	1922	6343	74	
■ DFU03206-4		6	3.969	50	80	12	105	65	62	9	M6	1x4	2632	7979	78	
■ DFU03208-4		8	4.762	50	80	12	122	65	62	9	M6	1x4	3387	9622	82	
☆ DFU03210-4	10	6.35	50	80	12	162	65	62	9	M6	1x4	4805	12208	82		
☆ DFU04005-4	40	5	3.175	63	93	14	105	78	70	9	M8	1x4	2110	7988	87	
■ DFU04006-4		6	3.969	63	93	14	108	78	70	9	M6	1x4	2873	9913	91	
■ DFU04008-4		8	4.762	63	93	14	132	78	70	9	M6	1x4	3712	11947	96	
☆ DFU04010-4		10	6.35	63	93	14	165	78	70	9	M8	1x4	5399	15500	99	
☆ DFU05010-4	50	10	6.35	75	110	16	171	93	85	11	M8	1x4	6004	19614	117	
△ DFU05020-4		20	7.144	75	110	16	280	93	85	11	M8	1x4	7142	22588	126	
○ DFU06310-4	63	10	6.35	90	125	18	182	108	95	11	M8	1x4	6719	25358	139	
△ DFU06320-4		20	9.525	95	135	20	290	115	100	13.5	M8	1x4	11444	36653	152	
△ DFU08010-4	80	10	6.35	105	145	20	182	125	110	13.5	M8	1x4	7346	31953	156	
△ DFU08020-4		20	9.525	125	165	25	295	145	130	13.5	M8	1x4	12911	47747	187	
■ DFU10020-4	100	20	9.525	150	202	30	340	170	155	17.5	M8	1x4	14303	60698	222	

Model No.	d	l	Da	Dimension										Load (Kgf)		K
				D	A	B	L	W	H	X	Q	n	Ca	Coa		
△ SFU01204-4	12	4	2.5	24	40	10	40	32	30	4.5		1x4	902	1884	26	
☆ SFU01604-4	16	4	2.381	28	48	10	40	38	40	5.5	M6	1x4	973	2406	32	
☆ SFU01605-4		5	3.175	28	48	10	50	38	40	5.5	M6	1x4	1380	3052	32	
☆ SFU01610-3		10	3.175	28	48	10	57	38	40	5.5	M6	1x3	1103	2401	26	
△ SFU02004-4	20	4	2.381	36	58	10	42	47	44	6.6	M6	1x4	1066	2987	38	
☆ SFU02005-4		5	3.175	36	58	10	51	47	44	6.6	M6	1x4	1551	3875	39	
△ SFU02504-4	25	4	2.381	40	62	10	42	51	48	6.6	M6	1x4	1180	3795	43	
☆ SFU02505-4		5	3.175	40	62	10	51	51	48	6.6	M6	1x4	1724	4904	45	
■ SFU02506-4		6	3.969	40	62	10	54	51	48	6.6	M6	1x4	2318	6057	47	
■ SFU02508-4		8	4.762	40	62	10	63	51	48	6.6	M6	1x4	2963	7313	49	
○ SFU02510-4	10	4.762	40	62	12	85	51	48	6.6	M6	1x4	2954	7295	50		
△ SFU03204-4	32	4	2.381	50	80	12	44	65	62	9	M6	1x4	1296	4838	51	
☆ SFU03205-4		5	3.175	50	80	12	52	65	62	9	M6	1x4	1922	6343	54	
■ SFU03206-4		6	3.969	50	80	12	57	65	62	9	M6	1x4	2632	7979	57	
■ SFU03208-4		8	4.762	50	80	12	65	65	62	9	M6	1x4	3387	9622	60	
☆ SFU03210-4	10	6.35	50	80	12	90	65	62	9	M6	1x4	4805	12208	61		
☆ SFU04005-4	40	5	3.175	63	93	14	55	78	70	9	M8	1x4	2110	7988	63	
■ SFU04006-4		6	3.969	63	93	14	60	78	70	9	M6	1x4	2873	9913	66	
■ SFU04008-4		8	4.762	63	93	14	67	78	70	9	M6	1x4	3712	11947	70	
☆ SFU04010-4		10	6.35	63	93	14	93	78	70	9	M8	1x4	5399	15500	73	
☆ SFU05010-4	50	10	6.35	75	110	16	93	93	85	11	M8	1x4	6004	19614	85	
△ SFU05020-4		20	7.144	75	110	16	138	93	85	11	M8	1x4	7142	22588	94	
○ SFU06310-4	63	10	6.35	90	125	18	98	108	95	11	M8	1x4	6719	25358	99	
△ SFU06320-4		20	9.525	95	135	20	149	115	100	13.5	M8	1x4	11444	36653	112	
△ SFU08010-4	80	10	6.35	105	145	20	98	125	110	13.5	M8	1x4	7346	31953	109	
△ SFU08020-4		20	9.525	125	165	25	154	145	130	13.5	M8	1x4	12911	47747	138	
■ SFU10020-4	100	20	9.525	150	202	30	180	170	155	17.5	M8	1x4	14303	60698	162	





7) DFM



6) SFM

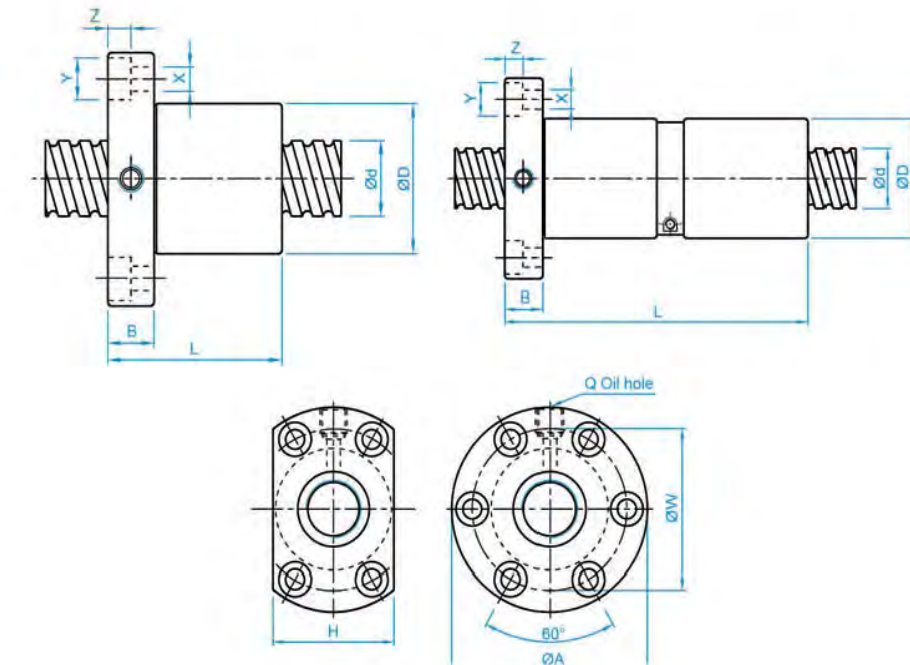
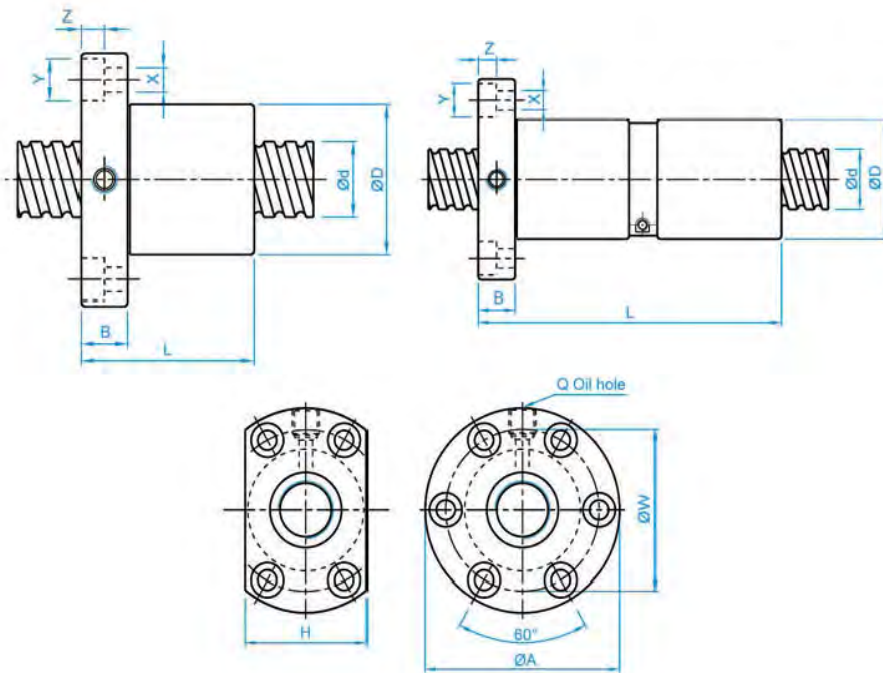


SFM Series Dimension Table  
(Use for Milling Machine Only)

DFM Series Dimension Table  
(Use for Milling Machine Only)

SFM Series Dimension Table  
(Use for Milling Machine Only)

DFM Series Dimension Table  
(Use for Milling Machine Only)



Unit: mm

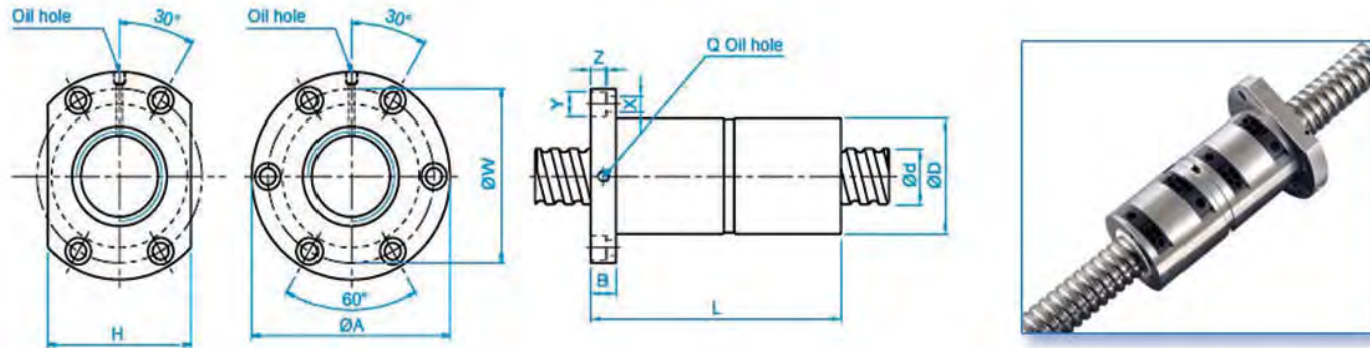
Unit: mm

Model No.	d	l	Da	Dimension										Load (Kgf)		K	
				D	A	B	L	W	H	X	Y	Z	Q	n	Ca		Coa
☆ SFM03205-4	32	5	3.175	48	74	12	52	60	52	6.5	11	6.5	M8	1x4	1922	6343	53
☆ SFM0325T-4	32	5.08	3.175	48	74	12	53	60	52	6.5	11	6.5	M8	1x4	1922	6343	53
☆ DFM03205-4	32	5	3.175	48	74	12	102	60	52	6.5	11	6.5	M8	1x4	1922	6343	73
☆ DFM0325T-4	32	5.08	3.175	48	74	12	104	60	52	6.5	11	6.5	M8	1x4	1922	6343	73

Model No.	d	l	Da	Dimension										Load (Kgf)		K	
				D	A	B	L	W	H	X	Y	Z	Q	n	Ca		Coa
☆ SFM03205-4	32	5	3.175	48	74	12	52	60	52	6.5	11	6.5	M8	1x4	1922	6343	53
☆ SFM0325T-4	32	5.08	3.175	48	74	12	53	60	52	6.5	11	6.5	M8	1x4	1922	6343	53
☆ DFM03205-4	32	5	3.175	48	74	12	102	60	52	6.5	11	6.5	M8	1x4	1922	6343	73
☆ DFM0325T-4	32	5.08	3.175	48	74	12	104	60	52	6.5	11	6.5	M8	1x4	1922	6343	73

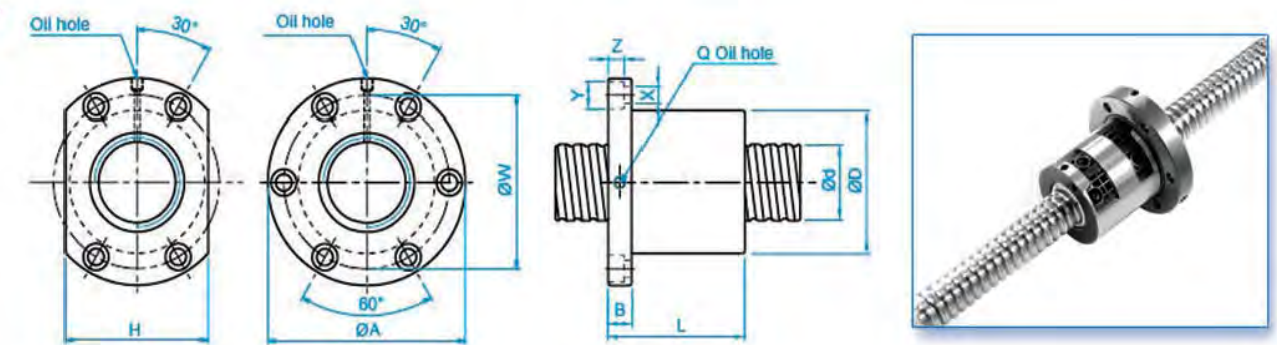


2) DFV



\* External Return Series

1) SFV



Unit:mm

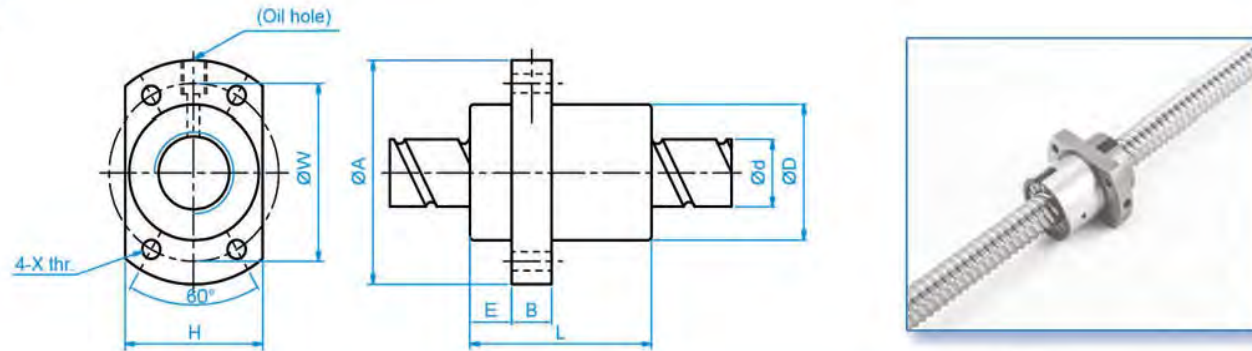
Model No.	d	l	Da	Dimension													Load (Kgf)		
				D	A	B	L	W	H	X	Y	Z	Q	n	Ca	Coa	K		
DFV01510-2.7	15	10	3.175	34	58	10	107	45	34	5.5	9.5	5.5	M6	2.7x1	972	2020	30		
DFV01604-3.8	16	4	2.381	34	57	11	89	45	34	5.5	9.5	5.5	M6	3.8x1	931	2285	42		
DFV01605-4.8	16	5	3.175	40	63	11	113	51	42	5.5	9.5	5.5	M6	4.8x1	1614	3662	53		
DFV01610-2.7	16	10	3.175	40	63	11	106	51	42	5.5	9.5	5.5	M6	2.7x1	1008	2161	32		
DFV02004-4.8	20	4	2.381	40	60	10	94	50	40	4.5	8	4	M6	4.8x1	1247	3584	61		
DFV02005-4.8	20	5	3.175	44	67	11	112	55	52	5.5	9.5	5.5	M6	4.8x1	1814	4650	63		
DFV02010-2.7	20	10	3.969	46	74	13	117	59	46	6.6	11	6.5	M6	2.7x1	1518	3398	40		
DFV02505-4.8	25	5	3.175	50	73	11	105	61	52	5.5	9.5	5.5	M8	4.8x1	2017	5884	75		
DFV02506-4.8	25	6	3.969	53	76	11	116	64	58	5.5	9.5	5.5	M6	4.8x1	2711	7268	78		
DFV02508-4.8	25	8	4.762	56	85	13	134	71	64	6.5	11	6.5	M6	4.8x1	3466	8776	82		
DFV02510-2.7	25	10	6.35	68	102	15	130	84	82	9	14	8.5	M8	2.7x1	3040	6547	49		
DFV03204-4.8	32	4	2.381	54	81	12	94	67	64	6.6	11	6.5	M6	4.8x1	1517	5806	85		
DFV03205-4.8	32	5	3.175	58	85	12	106	71	64	6.6	11	6.5	M8	4.8x1	2249	7612	90		
DFV03206-4.8	32	6	3.969	62	89	12	114	75	68	6.6	11	6.5	M8	4.8x1	3079	9575	95		
DFV03208-4.8	32	8	4.762	66	100	15	139	82	76	9	14	8.5	M8	4.8x1	3962	11547	100		
DFV03210-4.8	32	10	6.35	74	108	15	186	90	82	9	14	9	M8	4.8x1	5620	14649	101		
DFV03220-2.7	32	20	6.35	74	108	16	200	90	82	9	14	8.5	M8	2.7x1	3509	8644	61		
DFV04005-4.8	40	5	3.175	67	101	15	109	83	72	9	14	8.5	M8	4.8x1	2468	9586	105		
DFV04010-4.8	40	10	6.35	82	124	18	188	102	94	11	17.5	11	M8	4.8x1	6316	18600	121		
DFV04020-2.7	40	20	6.35	82	124	18	200	102	90	11	17.5	11	M8	2.7x1	3935	10893	74		
DFV05005-4.8	50	5	3.175	80	114	15	115	96	82	9	14	8.5	M8	4.8x1	2698	12053	122		
DFV05010-4.8	50	10	6.35	93	135	16	173	113	98	11	17.5	11	M8	4.8x1	7023	23537	144		
DFV05020-2.7	50	20	9.525	105	152	28	221	128	110	14	20	13	M8	2.7x1	7336	19700	90		
DFV06310-4.8	63	10	6.35	108	154	22	195	130	110	14	20	13	M8	4.8x1	7860	30430	172		
DFV06320-2.7	63	20	9.525	122	180	28	220	150	130	18	26	17.5	M8	2.7x1	8162	24741	107		
DFV08010-4.8	80	10	6.35	130	176	22	195	152	132	14	20	13	M8	4.8x1	8593	38344	201		
DFV08020-4.8	80	20	9.525	143	204	28	340	172	148	18	26	18	M8	4.8x1	15103	57296	226		
DFV08020-7.6	80	20	9.525	143	204	28	460	172	148	18	26	18	M8	3.8x2	22423	90719	351		

Unit:mm

Model No.	d	l	Da	Dimension													Load (Kgf)		
				D	A	B	L	W	H	X	Y	Z	Q	n	Ca	Coa	K		
SFV01205-2.8	12	5	2.5	30	50	10	42	40	32	4.5	8	4.5	M6	2.8x1	661	1316	19		
SFV01210-2.7	12	10	2.5	30	50	10	53	40	32	4.5	8	4.5	M6	2.7x1	623	1241	18		
SFV01510-2.7	15	10	3.175	34	58	10	57	45	34	5.5	9.5	5.5	M6	2.7x1	972	2020	23		
SFV01604-3.8	16	4	2.381	34	57	11	45	45	34	5.5	9.5	5.5	M6	3.8x1	931	2285	31		
SFV01605-4.8	16	5	3.175	40	63	11	58	51	42	5.5	9.5	5.5	M6	4.8x1	1614	3662	40		
SFV01610-2.7	16	10	3.175	40	63	11	56	51	42	5.5	9.5	5.5	M6	2.7x1	1008	2161	24		
SFV02004-4.8	20	4	2.381	40	60	10	50	50	40	4.5	8	4	M6	4.8x1	1247	3584	45		
SFV02005-4.8	20	5	3.175	44	67	11	57	55	52	5.5	9.5	5.5	M6	4.8x1	1814	4650	47		
SFV02010-2.7	20	10	3.969	46	74	13	57	59	46	6.6	11	6.5	M6	2.7x1	1518	3398	30		
SFV02020-1.8	20	3.175	46	74	13	70	59	46	6.6	11	6.5	M6	1.8x1	764	1758	19			
SFV02505-4.8	25	5	3.175	50	73	11	55	61	52	5.5	9.5	5.5	M8	4.8x1	2017	5884	56		
SFV02506-4.8	25	6	3.969	53	76	11	62	64	58	5.5	9.5	5.5	M6	4.8x1	2711	7268	58		
SFV02508-4.8	25	8	4.762	56	85	13	70	71	64	6.5	11	6.5	M6	4.8x1	3466	8776	61		
SFV02510-2.7	25	10	6.35	68	102	15	70	84	82	9	14	8.5	M8	2.7x1	3040	6547	37		
SFV02525-1.8	25	3.175	50	73	13	83	61	52	5.5	9.5	5.5	M8	1.8x1	843	2199	22			
SFV03204-4.8	32	4	2.381	54	81	12	50	67	64	6.6	11	6.5	M6	4.8x1	1517	5806	62		
SFV03205-4.8	32	5	3.175	58	85	12	56	71	64	6.6	11	6.5	M8	4.8x1	2249	7612	66		
SFV03206-4.8	32	6	3.969	62	89	12	60	75	68	6.6	11	6.5	M8	4.8x1	3079	9575	70		
SFV03208-4.8	32	8	4.762	66	100	15	75	82	76	9	14	8.5	M8	4.8x1	3962	11547	74		
SFV03210-4.8	32	10	6.35	74	108	15	96	90	82	9	14	9	M8	4.8x1	5620	14649	76		
SFV03220-2.7	32	20	6.35	74	108	16	100	90	82	9	14	8.5	M8	2.7x1	3509	8644	46		
SFV04005-4.8	40	5	3.175	67	101	15	59	83	72	9	14	8.5	M8	4.8x1	2468	9586	76		
SFV04010-4.8	40	10	6.35	82	124	18	100	102	94	11	17.5	11	M8	4.8x1	6316	18600	90		
SFV04020-2.7	40	20	6.35	82	124	18	100	102	90	11	17.5	11	M8	2.7x1	3935	10893	56		
SFV05005-4.8	50	5	3.175	80	114	15	60	96	82	9	14	8.5	M8	4.8x1	2698	12053	87		
SFV05010-4.8	50	10	6.35	93	135	16	93	113	98	11	17.5	11	M8	4.8x1	7023	23537	106		
SFV05020-2.7	50	20	9.525	105	152	28	121	128	110	14	20	13	M8	2.7x1	7336	19700	68		
SFV06310-4.8	63	10	6.35	108	154	22	105	130	110	14	20	13	M8	4.8x1	7860	30430	126		
SFV06320-2.7	63	20	9.525	122	180	28	120	150	130	18	26	17.5	M8	2.7x1	8162	24741	80		
SFV08010-4.8	80	10	6.35	130	176	22	105	152	132	14	20	13	M8	4.8x1	8593	38344	145		
SFV08020-4.8	80	20	9.525	143	204	28	180	172	148	18	26	18	M8	4.8x1	15103	57296	168		
SFV08020-7.6	80	20	9.525	143	204	28	240	172	148	18	26	18	M8	3.8x2	22423	90719	260		



2) SFY

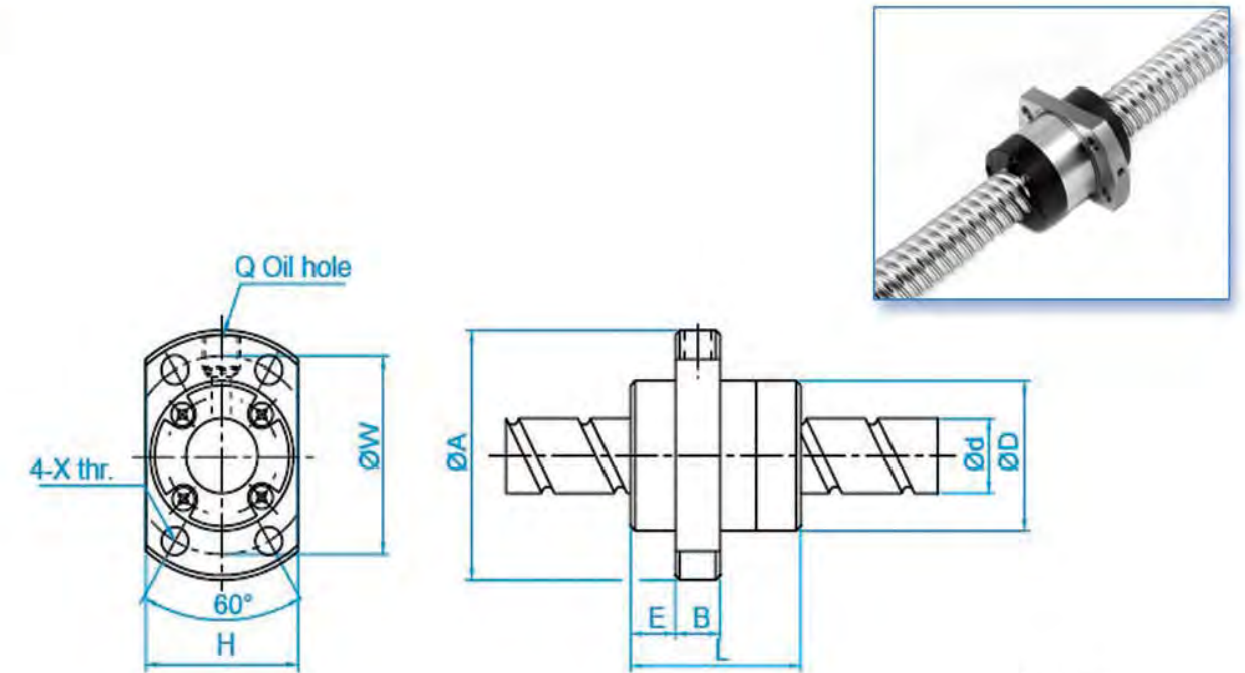


Unit:mm

Model No.	d	l	Da	Dimension											Load (Kgf)		K
				D	A	E	B	L	W	H	X	Q	n	Ca	Coa		
△ SFY01616-3.6	16	16	2.778	32	53	10.1	10	45	42	34	4.5	M6	1.8x2	1073	2551	31	
△ SFY01616-5.6	16	16	2.778	32	53	10.1	10	61	42	34	4.5	M6	2.8x2	1568	3968	47	
△ SFY02020-3.6	20	20	3.175	39	62	13	10	52	50	41	5.5	M6	1.8x2	1387	3515	37	
△ SFY02020-5.6	20	20	3.175	39	62	13	10	72	50	41	5.5	M6	2.8x2	2029	5468	56	
△ SFY02525-3.6	25	25	3.969	47	74	15	12	64	60	49	6.6	M6	1.8x2	2074	5494	45	
△ SFY02525-5.6	25	25	3.969	47	74	15	12	89	60	49	6.6	M6	2.8x2	3032	8546	69	
△ SFY03232-3.6	32	32	4.762	58	92	17	12	78	74	60	9	M6	1.8x2	3021	8690	58	
△ SFY03232-5.6	32	32	4.762	58	92	17	12	110	74	60	9	M6	2.8x2	4417	13517	88	
△ SFY04040-3.6	40	40	6.35	73	114	19.5	15	99	93	75	11	M6	1.8x2	4831	14062	70	
△ SFY04040-5.6	40	40	6.35	73	114	19.5	15	139	93	75	11	M6	2.8x2	7065	21874	106	
△ SFY05050-3.6	50	50	7.938	90	135	21.5	20	117	112	92	14	M6	1.8x2	7220	21974	86	
△ SFY05050-5.6	50	50	7.938	90	135	21.5	20	167	112	92	14	M6	2.8x2	10558	34182	131	
Model No.	Double Lead											Load (Kgf)		K			
	d	l	Da	D	A	E	B	L	W	H	X	Q	n		Ca	Coa	
△ SFY01632-1.6	16	32	2.778	32	53	10.1	10	42.5	42	34	4.5	M6	0.8x2	493	1116	11	
△ SFY01632-3.6	16	32	2.778	32	53	10.1	10	74.5	42	34	4.5	M6	1.8x2	989	2511	23	
△ SFY02040-1.6	20	40	3.175	39	62	13	10	48	50	41	5.5	M6	0.8x2	653	1597	15	
△ SFY02040-3.6	20	40	3.175	39	62	13	10	88	50	41	5.5	M6	1.8x2	1311	3592	30	
△ SFY02550-1.6	25	50	3.969	47	74	15	12	58	60	49	6.6	M6	0.8x2	976	2495	19	
△ SFY02550-3.6	25	50	3.969	47	74	15	12	108	60	49	6.6	M6	1.8x2	1960	5614	32	
△ SFY03264-1.6	32	64	4.762	58	92	17	12	71	74	60	9	M6	0.8x2	1374	3571	22	
△ SFY03264-3.6	32	64	4.762	58	92	17	12	135	74	60	9	M6	1.8x2	2759	8441	46	
△ SFY04080-1.6	40	80	6.35	73	114	19.5	15	90	93	75	11	M6	0.8x2	2273	6387	29	
△ SFY04080-3.6	40	80	6.35	73	114	19.5	15	170	93	75	11	M6	1.8x2	4566	14370	50	
△ SFY050100-1.6	50	100	7.938	90	135	21.5	20	111	112	92	14	M6	0.8x2	3398	9980	35	
△ SFY050100-3.6	50	100	7.938	90	135	21.5	20	211	112	92	14	M6	1.8x2	6824	22455	72	

\* End Cap Return Series

1) SFE



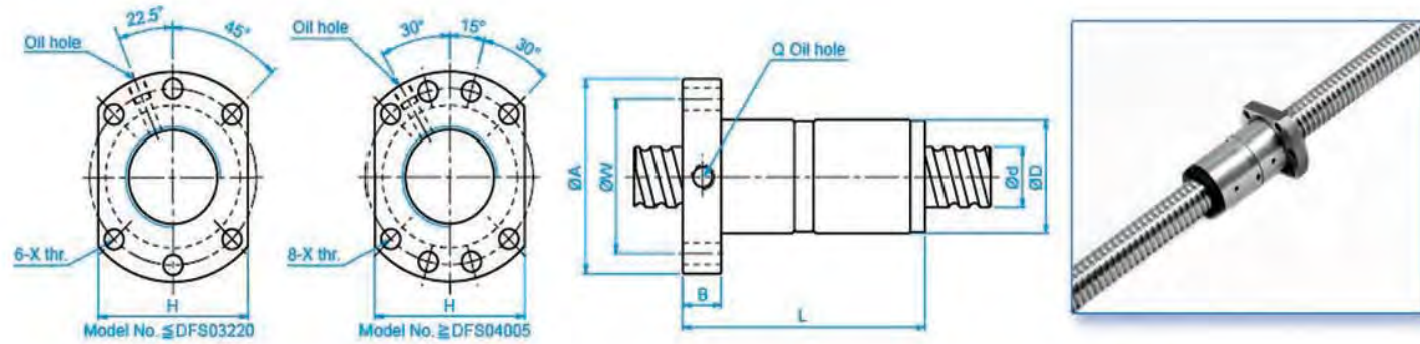
Unit:mm

Model No.	d	l	Da	Dimension											Load (Kgf)		K
				D	A	E	B	L	W	H	X	Q	n	Ca	Coa		
△ SFE01616-3	16	16	2.778	32	53	10.1	10	38	42	34	4.5	M6	1.7x2	1021	2409	29	
△ SFE01632-3	16	32	2.778	34	55	10.5	10	34	45	36	5.5	M6	0.7x2	439	976	11	
△ SFE02020-3	20	20	3.175	39	62	12	10	47	50	41	5.5	M6	1.7x2	1321	3320	35	
△ SFE02040-3	20	40	3.175	38	58	11	10	41	48	40	5.5	M6	0.7x2	582	1397	13	
△ SFE02525-3	25	25	3.969	47	74	14	12	57	60	49	6.6	M6	1.7x2	1974	5188	43	
△ SFE02550-3	25	50	3.969	46	70	13	12	50	58	48	6.6	M6	0.7x2	870	2183	16	
△ SFE03232-3	32	32	4.762	58	92	17	12	71	74	60	9	M6	1.7x2	2876	8207	54	
△ SFE03264-3	32	64	4.762	58	92	15.5	12	62	74	60	9	M6	0.7x2	1225	3282	20	
△ SFE04040-3	40	40	6.35	73	114	19.5	15	89	93	75	11	M6	1.7x2	4600	13281	66	
△ SFE05050-3	50	50	7.938	90	135	21.5	20	107	112	92	14	M6	1.7x2	6512	19430	80	

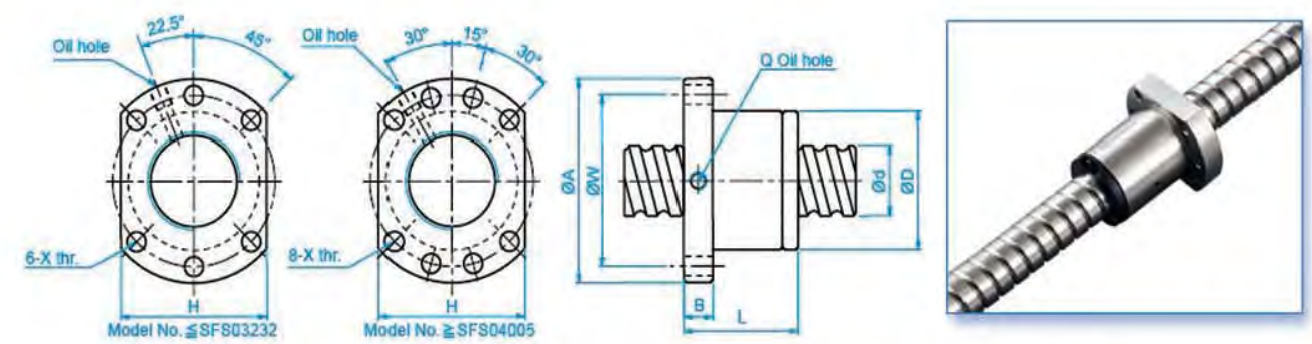
Note: **TBI MOTION** Standard nuts are without seals, if requires, please advise  
 ※Recommended to use the new SFY type※



4) DFS



3) SFS



Unit:mm

Unit:mm

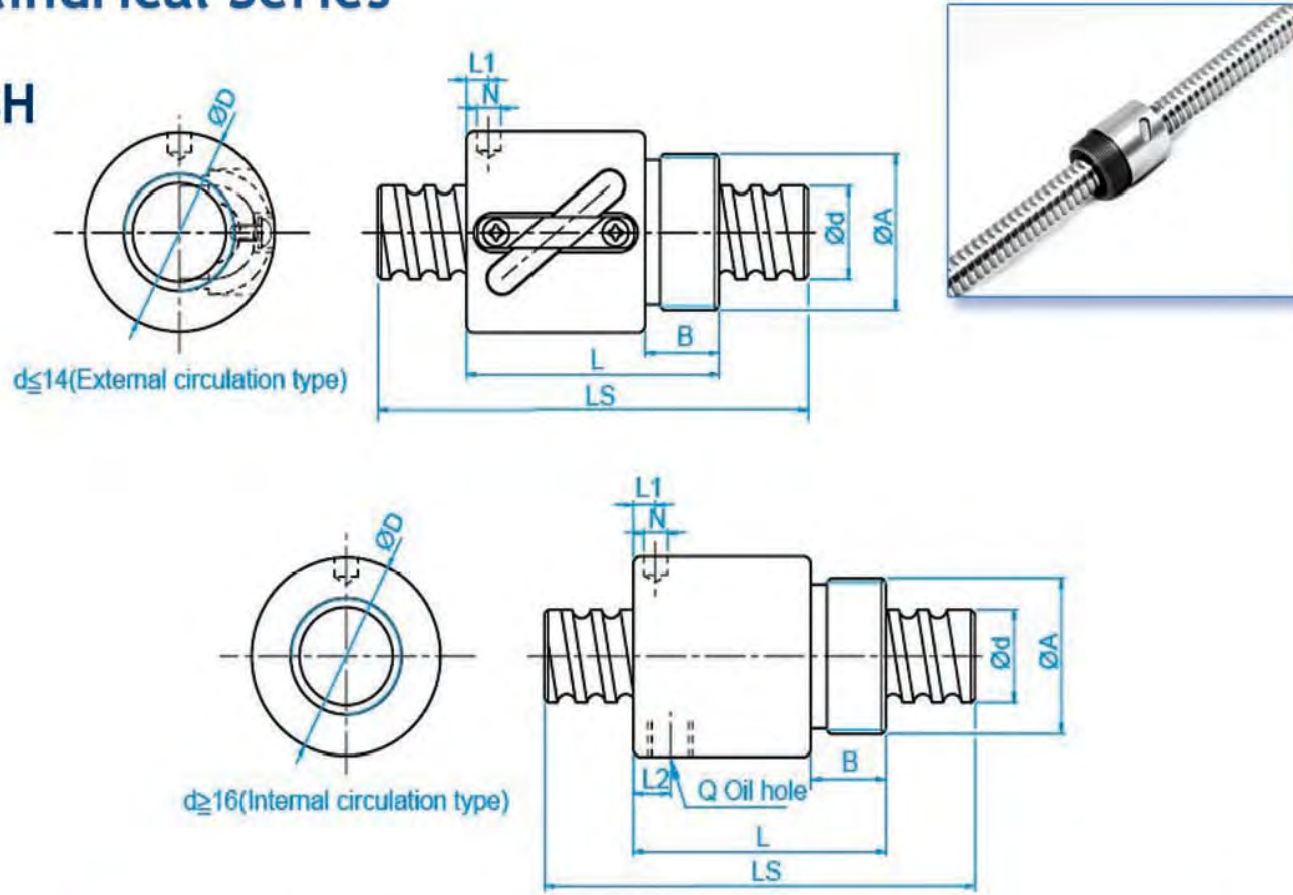
Model No.	d	l	Da	Dimension									Load (Kgf)		K
				D	A	B	L	W	H	X	Q	n	Ca	Coa	
△ DFS01605-3.8	15	5	2.778	28	48	10	73	38	40	5.5	M6	3.8x1	1112	2507	41
△ DFS01610-2.8		10	2.778	28	48	10	97	38	40	5.5	M6	2.8x1	839	1821	31
△ DFS02005-3.8	20	5	3.175	36	58	10	75	47	44	6.6	M6	3.8x1	1484	3681	50
■ DFS02006-4.8		6	3.175	36	58	10	98	47	44	6.6	M6	4.8x1	1811	4644	63
■ DFS02008-4.8	20	8	3.175	36	58	10	116	47	44	6.6	M6	4.8x1	1863	4861	66
△ DFS02010-3.8		10	3.175	36	58	10	120	47	44	6.6	M6	3.8x1	1516	3833	53
△ DFS02505-3.8	25	5	3.175	40	62	10	75	51	48	6.6	M6	3.8x1	1650	4658	59
■ DFS02506-4.8		6	3.175	40	62	10	98	51	48	6.6	M6	4.8x1	2015	5879	75
■ DFS02508-4.8	25	8	3.175	40	62	10	116	51	48	6.6	M6	4.8x1	2009	5867	76
△ DFS02510-3.8		10	3.175	40	62	12	122	51	48	6.6	M6	3.8x1	1638	4633	61
△ DFS03205-3.8	32	5	3.175	50	80	12	82	65	62	9	M6	3.8x1	1839	6026	71
■ DFS03206-4.8		6	3.175	50	80	12	99	65	62	9	M6	4.8x1	2247	7608	90
■ DFS03208-4.8	32	8	3.969	50	80	12	126	65	62	9	M6	4.8x1	3015	9181	92
△ DFS03210-3.8		10	3.969	50	80	13	122	65	62	9	M6	3.8x1	2460	7255	75
△ DFS03220-2.8	32	20	3.969	50	80	12	160	65	62	9	M6	2.8x1	1907	5482	58
△ DFS04005-3.8		5	3.175	63	93	15	85	78	70	9	M8	3.8x1	2018	7589	83
■ DFS04006-4.8	40	6	3.175	63	93	14	98	78	70	9	M6	4.8x1	2467	9583	106
■ DFS04008-4.8		8	3.969	63	93	14	125	78	70	9	M6	4.8x1	3327	11491	110
△ DFS04010-3.8	38	10	6.35	63	93	14	123	78	70	9	M8	3.8x1	5035	13943	91
△ DFS04020-2.8		20	6.35	63	93	14	162	78	70	9	M8	2.8x1	3959	10715	73
△ DFS05005-3.8	50	5	3.175	75	110	15	85	93	85	11	M8	3.8x1	2207	9542	96
△ DFS05010-3.8		10	6.35	75	110	18	138	93	85	11	M8	3.8x1	5638	17852	109
■ DFS05012-3.8	48	12	6.35	75	110	18	147	93	85	11	M8	3.8x1	5632	17836	110
△ DFS05020-3.8		20	6.35	75	110	18	218	93	85	11	M8	3.8x1	5749	18485	116

Model No.	d	l	Da	Dimension									Load (Kgf)		K
				D	A	B	L	W	H	X	Q	n	Ca	Coa	
△ SFS01205-2.8	12	5	2.5	24	40	10	31	32	30	4.5		2.8x1	661	1316	19
△ SFS01210-2.8		10	2.5	24	40	10	48.5	32	30	4.5		2.8x1	642	1287	19
△ SFS01605-3.8	15	5	2.778	28	48	10	38	38	40	5.5	M6	3.8x1	1112	2507	30
△ SFS01610-2.8		10	2.778	28	48	10	47	38	40	5.5	M6	2.8x1	839	1821	23
△ SFS01616-1.8	15	16	2.778	28	48	10	45	38	40	5.5	M6	1.8x1	552	1137	14
△ SFS01616-2.8		16	2.778	28	48	10	61	38	40	5.5	M6	2.8x1	808	1769	22
△ SFS01620-1.8	15	20	2.778	28	48	10	57	38	40	5.5	M6	1.8x1	554	1170	14
△ SFS02005-3.8		5	3.175	36	58	10	40	47	44	6.6	M6	3.8x1	1484	3681	37
■ SFS02006-4.8	20	6	3.175	36	58	10	50	47	44	6.6	M6	4.8x1	1811	4644	47
■ SFS02008-4.8		8	3.175	36	58	10	60	47	44	6.6	M6	4.8x1	1863	4861	50
△ SFS02010-3.8	20	10	3.175	36	58	10	60	47	44	6.6	M6	3.8x1	1516	3833	40
△ SFS02020-1.8		20	3.175	36	58	10	57	47	44	6.6	M6	1.8x1	764	1758	19
△ SFS02020-2.8	20	20	3.175	36	58	10	77	47	44	6.6	M6	2.8x1	1118	2734	29
△ SFS02505-3.8		5	3.175	40	62	10	40	51	48	6.6	M6	3.8x1	1650	4658	43
■ SFS02506-4.8	25	6	3.175	40	62	10	50	51	48	6.6	M6	4.8x1	2015	5879	55
■ SFS02508-4.8		8	3.175	40	62	10	60	51	48	6.6	M6	4.8x1	2009	5867	56
△ SFS02510-3.8	25	10	3.175	40	62	12	62	51	48	6.6	M6	3.8x1	1638	4633	45
△ SFS02525-1.8		25	3.175	40	62	12	70	51	48	6.6	M6	1.8x1	843	2199	22
△ SFS02525-2.8	25	25	3.175	40	62	12	95	51	48	6.6	M6	2.8x1	1232	3421	34
△ SFS03205-3.8		5	3.175	50	80	12	42	65	62	9	M6	3.8x1	1839	6026	51
■ SFS03206-4.8	32	6	3.175	50	80	12	51	65	62	9	M6	4.8x1	2247	7608	65
■ SFS03208-4.8		8	3.969	50	80	12	62	65	62	9	M6	4.8x1	3015	9181	68
△ SFS03210-3.8	32	10	3.969	50	80	13	62	65	62	9	M6	3.8x1	2460	7255	55
△ SFS03220-2.8		20	3.969	50	80	12	80	65	62	9	M6	2.8x1	1907	5482	43
△ SFS03232-1.8	32	32	3.969	50	80	13	84	65	62	9	M6	1.8x1	1257	3426	27
△ SFS03232-2.8		32	3.969	50	80	13	116	65	62	9	M6	2.8x1	1838	5329	42
△ SFS04005-3.8	40	5	3.175	63	93	15	45	78	70	9	M8	3.8x1	2018	7589	60
■ SFS04006-4.8		6	3.175	63	93	14	50	78	70	9	M6	4.8x1	2467	9583	77
■ SFS04008-4.8	40	8	3.969	63	93	14	61	78	70	9	M6	4.8x1	3327	11491	81
△ SFS04010-3.8		10	6.35	63	93	14	63	78	70	9	M8	3.8x1	5035	13943	67
△ SFS04020-2.8	38	20	6.35	63	93	14	82	78	70	9	M8	2.8x1	3959	10715	54
△ SFS04040-1.8		40	6.35	63	93	15	105	78	70	9	M8	1.8x1	2585	6648	34
△ SFS04040-2.8	40	40	6.35	63	93	15	145	78	70	9	M8	2.8x1	3780	10341	52
△ SFS05005-3.8		50	3.175	75	110	15	45	93	85	11	M8	3.8x1	2207	9542	68
△ SFS05010-3.8	48	10	6.35	75	110	18	68	93	85	11	M8	3.8x1	5638	17852	79
■ SFS05012-3.8		12	6.35	75	110	18	75	93	85	11	M8	3.8x1	5632	17836	81
△ SFS05020-3.8	48	20	6.35	75	110	18	108	93	85	11	M8	3.8x1	5749	18485	87
△ SFS05050-1.8		50	6.35	75	110	18	125	93	85	11	M8	1.8x1	2946	8749	42
△ SFS05050-2.8	50	50	6.35	75	110	18	175	93	85	11	M8	2.8x1	4308	13610	65



\*Cylindrical Series

1) BSH



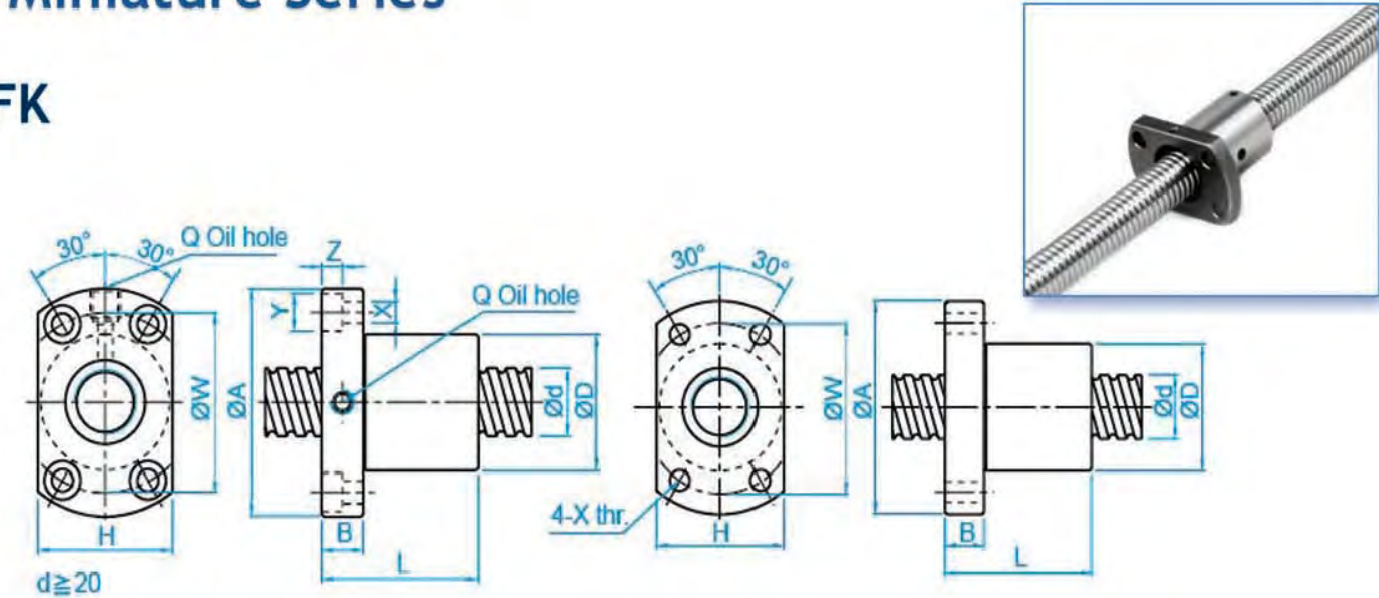
Unit:mm

Model No.	d	l	Da	Dimension									Load (Kgf)		K
				D	A	B	L	L1	N	L2	Q	n	Ca	Coa	
△ BSHR0082.5-2.5	8	2.5	1.2	17.5	M15x1P	7.5	23.5	10	3	-	-	2.5x1	189	381	11
△ BSHR01002-3.5	10	2	1.2	19.5	M17x1P	7.5	22	3	3.2	-	-	3.5x1	277	664	17
△ BSHR01004-2.5		4	2	25	M20x1P	10	34	3	3	-	-	2.5x1	400	754	14
△ BSHR01204-3.5	12	4	2.5	25.5	M20x1P	10	34	13	3	-	-	3.5x1	804	1649	23
△ BSHR01205-3.5		5	2.5	25.5	M20x1P	10	39	16.25	3	-	-	3.5x1	801	1644	24
■ BSHR01404-3.5	14	4	2.381	32.1	M25x1.5P	10	35	13	3	-	-	3.5x1	804	1803	26
△ BSHR01604-3	16	4	2.381	29	M22x1.5P	8	32	4	3.2	-	-	1x3	759	1804	24
△ BSHR01605-3		5	3.175	32.5	M26x1.5P	12	42	19.25	3	-	-	1x3	1077	2289	25
△ BSHR02005-3	20	5	3.175	38	M35x1.5P	15	45	20.3	3	-	-	1x3	1211	2906	30
△ BSHR02505-4	25	5	3.175	43	M40x1.5P	19	69	32.11	3	8	M6	1x4	1724	4904	37

Note: Nuts do not attach seals from Ø8-Ø16.

\*Miniature Series

SFK



Unit:mm

Model No.	d	l	Da	Dimension											Load (Kgf)		K
				D	A	B	L	W	H	X	Y	Z	Q	n	Ca	Coa	
■ SFK00401	4	1	0.8	10	20	3	12	15	14	2.9	-	-	-	1x2	64	97	5
△ SFK00601	6	1	0.8	12	24	3.5	15	18	16	3.4	-	-	-	1x3	111	224	9
○ SFK00801	8	1	0.8	14	27	4	16	21	18	3.4	-	-	-	1x4	161	403	14
○ SFK00802		2	1.2	14	27	4	16	21	18	3.4	-	-	-	1x3	222	458	13
△ SFK0082.5		2.5	1.2	16	29	4	26	23	20	3.4	-	-	-	1x3	221	457	13
○ SFK01002	10	2	1.2	18	35	5	28	27	22	4.5	-	-	-	1x3	243	569	15
△ SFK01004		4	2	26	46	10	34	36	28	4.5	8	4.5	M6	1x3	468	905	17
○ SFK01202	12	2	1.2	20	37	5	28	29	24	4.5	-	-	-	1x4	334	906	22
○ SFK01402	14	2	1.2	21	40	6	23	31	26	5.5	-	-	-	1x4	354	1053	24
■ SFK01602	16	2	1.2	25	43	10	40	35	29	5.5	-	-	M6	1x4	373	1200	26
■ SFK02002	20	2	1.2	50	80	15	55	65	68	6.5	10.5	6	M6	1x6	581	2284	48
■ SFK02502	25	2	1.2	50	80	13	43	65	68	6.5	10.5	6	M6	1x5	540	2381	46

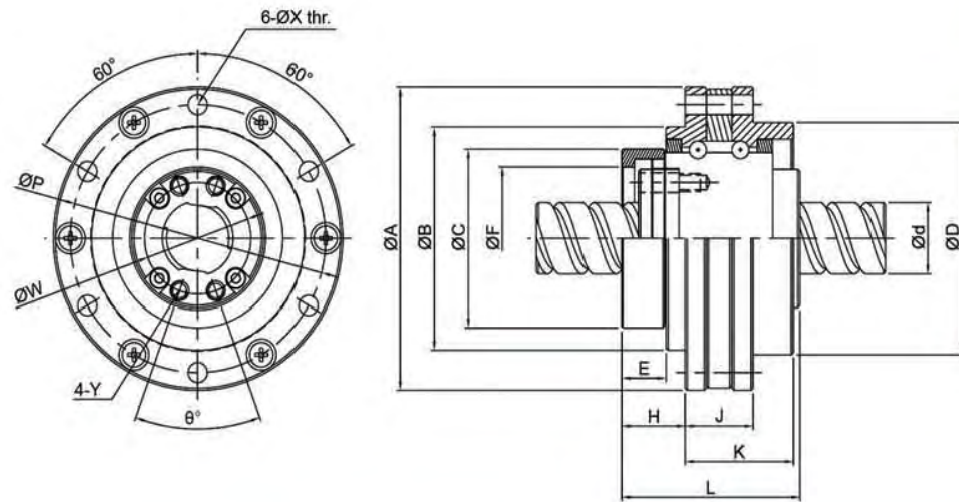
Unit:mm

Model No.	d	l	Da	Dimension											Load (Kgf)		K
				D	A	B	L	W	H	X	Y	Z	Q	n	Ca	Coa	
△ XSUR01204T3D-02	12	4	25	24	40	6	28	32	25	35	-	-	-	1x3	454	722	-
△ XSUR01205T3D-00	12	5	25	22	37	8	39	29	24	45	-	-	-	1x3	675	1316	17

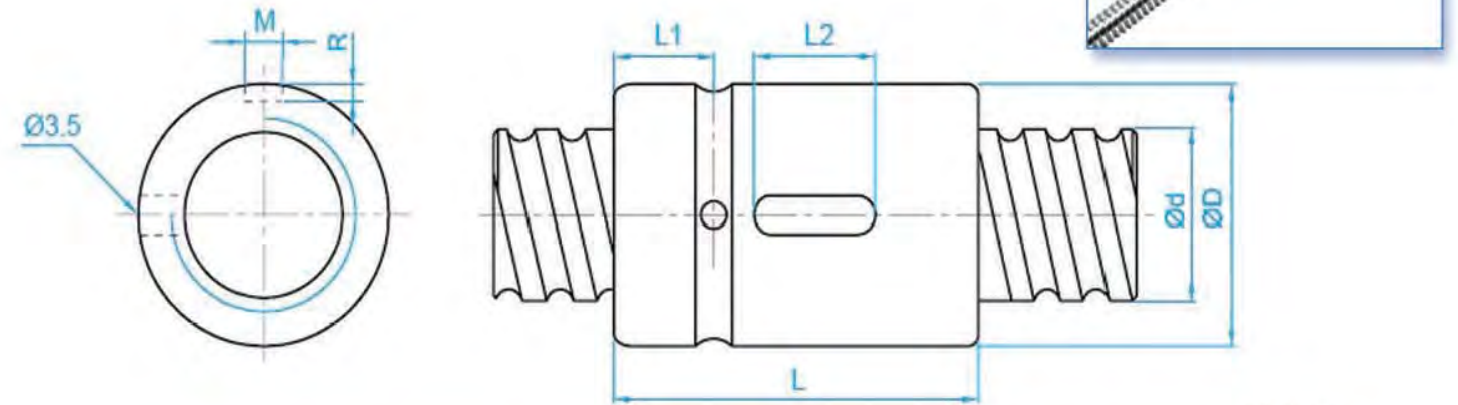


\* Rotary Series

RFE



2) SCI



Unit:mm

Model No.	Screw shaft outer diameter d	Thread minor diameter l	Ball dia Da	Rows x Turns n	Support bearing basic load rating		Ball screw dimension													Basic load rating			
					Ca (kgf)	Coa (kgf)	D	A	B	L	C	F	E	H	J	K	P	X	W	Y	Ø	Ca (kgf)	Coa (kgf)
RFE01616	16	16	2.778	1.7x2	805	1142	52 <sup>0</sup> <sub>-0.007</sub>	68	50	41.9	40 <sup>0</sup> <sub>-0.025</sub>	32 <sup>+0.025</sup> <sub>0</sub>	10.4	14.9	16	25.5	60	4.5	25	M4	40	1021	2409
RFE02020	20	20	3.175	1.7x2	896	1865	62 <sup>0</sup> <sub>-0.007</sub>	78	61	51	50 <sup>0</sup> <sub>-0.025</sub>	39 <sup>+0.025</sup> <sub>0</sub>	11	15.5	19	32	70	4.5	31	M5	40	1321	3320
RFE02525	25	25	3.969	1.7x2	918	2033	72 <sup>0</sup> <sub>-0.007</sub>	92	71	58	58 <sup>0</sup> <sub>-0.03</sub>	47 <sup>+0.025</sup> <sub>0</sub>	15.5	21.5	19	34	81	5.5	38	M6	40	1974	5188
RFE03232	32	32	4.762	1.7x2	1511	3310	80 <sup>0</sup> <sub>-0.007</sub>	105	-	76	66 <sup>0</sup> <sub>-0.03</sub>	58 <sup>+0.03</sup> <sub>0</sub>	21	-	29.5	52.5	91	6.6	48	M6	40	2876	8207
RFE04040	40	40	6.35	1.7x2	2385	5830	110 <sup>0</sup> <sub>-0.008</sub>	140	109	92.5	90 <sup>0</sup> <sub>-0.035</sub>	73 <sup>+0.03</sup> <sub>0</sub>	16.5	32	27	49	123	9	61	M8	50	4600	13281
RFE05050	50	50	7.938	1.7x2	3219	7703	120 <sup>0</sup> <sub>-0.008</sub>	156	-	112	100 <sup>0</sup> <sub>-0.035</sub>	90 <sup>+0.035</sup> <sub>0</sub>	25	-	40	71.5	136	11	75	M10	50	6512	19430

Example of model number coding: RFER01616A2N GC5 - 500 - P0  
 Model number: RFER01616A2N  
 Accuracy symbol: GC5  
 Overall screw shaft length (in mm): 500  
 Preload: P0

Unit:mm

Model No.	d	l	Da	Dimension							Load (Kgf)		K
				D	L	L1	L2	M	R	n	Ca	Coa	
△ SCI01604-4	16	4	2.381	30	40	9	15	3	1.5	1x4	973	2406	32
★ SCI01605-4		5	3.175	30	45	9	20	5	3	1x4	1380	3052	33
△ SCI02004-4	20	4	2.381	34	40	9	15	3	1.5	1x4	1066	2987	37
★ SCI02005-4		5	3.175	34	45	9	20	5	3	1x4	1551	3875	39
△ SCI02504-4	25	4	2.381	40	40	9	15	3	1.5	1x4	1180	3795	43
★ SCI02505-4		5	3.175	40	45	9	20	5	3	1x4	1724	4904	45
△ SCI02510-4	25	10	4.762	46	85	13	30	5	3	1x4	2954	7295	51
△ SCI03204-4		32	4	2.381	46	40	9	15	3	1.5	1x4	1296	4838
★ SCI03205-4	5		3.175	46	45	9	20	5	3	1x4	1922	6343	52
★ SCI03210-4	10		6.35	54	85	13	30	5	3	1x4	4805	12208	62
★ SCI04005-4	40	5	3.175	56	45	9	20	5	3	1x4	2110	7988	59
★ SCI04010-4		10	6.35	62	85	13	30	5	3	1x4	5399	15500	72
△ SCI05010-4	50	10	6.35	72	85	13	30	5	3	1x4	6004	19614	83
○ SCI06310-4		63	10	6.35	85	85	13	30	6	3.5	1x4	6719	25358
○ SCI08010-4	80		10	6.35	105	85	13	30	8	4.5	1x4	7346	31953



### Ball Screw Support Unit

**GMT** GMT GLOBAL INC  
Made in Taiwan



### Linear System

Linear Motion Technology

**ABBA**  
Linear Tech Co., LTD.  
Made in Taiwan



توضیحات	شماره فنی
سری لینیر رایل برای حرکت‌های خطی به سایز ۳۵،۲۵،۲۰،۱۵ و ۴۵ با چهار ردیف ساچمه	BRH..A
سری لینیر رایل پهن با طول بلند برای حرکت‌های خطی به سایز ۳۵،۳۰،۲۵،۲۰،۱۵ و ۴۵ با چهار ردیف ساچمه	BRH..AL
سری لینیر رایل باریک برای حرکت‌های خطی به سایز ۳۵،۳۰،۲۵،۲۰،۱۵ و ۴۵ با چهار ردیف ساچمه	BRH..B
سری لینیر رایل باریک با ارتفاع کوتاه برای حرکت‌های خطی به سایز ۳۵،۳۰،۲۵،۲۰،۱۵ و ۴۵ با چهار ردیف ساچمه	BRS..B
سری لینیر رایل باریک با ارتفاع و طول کوتاه برای حرکت‌های خطی به سایز ۳۵،۳۰،۲۵،۲۰،۱۵ و ۴۵ با چهار ردیف ساچمه	BRS..BS
سری لینیر رایل باریک با طول بلند برای حرکت‌های خطی به سایز ۳۵،۳۰،۲۵،۲۰،۱۵ و ۴۵ با چهار ردیف ساچمه	BRH..BL
تانک روغن جهت صرفه جویی در زمان، هنگام عملیات روغنکاری	BRH..A





توضیحات شماره فنی

یاتاقان های آلومینیومی با بلبرینگ های سری LME با اندازه های استاندارد و چهار بیج اتصال

SCE.UU

یاتاقان های آلومینیومی با بلبرینگ های سری LME با اندازه های استاندارد و چهار بیج اتصال

SCE.VUU

توضیحات شماره فنی

بلبرینگ های بال بوش با پوسته آهنی (با سایزهای خاور دور) بلبرینگ های بال بوش با پوسته آهنی (با سایزهای اروپا)

LM..uu

LM.uu

بلبرینگ های بال بوش با پوسته فیبر با ۳ برابر قدرت تحمل بار بیشتر و ۲۷ برابر طول عمر بیشتر نسبت به بلبرینگ های معمولی بال بوش (اینچ)

LMES.uu

بلبرینگ های بال بوش با پوسته فیبر با ۳ برابر قدرت تحمل بار بیشتر و ۲۷ برابر طول عمر بیشتر نسبت به بلبرینگ های معمولی بال بوش (اینچ)

LMBS..uu

توضیحات شماره فنی

بلبرینگهای بال بوش با پوسته آهنی و شیار باریک

LME.uuAJ

بلبرینگهای بال بوش با پوسته آهنی و شیار بزرگ

LME.uuOP

بلبرینگهای بال بوش با پوسته آهنی و شیار باریک

LM.uuAJ

بلبرینگهای بال بوش با پوسته آهنی و فلنج چهار گوش

LM.uuOP

بلبرینگهای بال بوش با پوسته فیبر و شیار بزرگ (میلیمتر)

LMES.uuOP

بلبرینگهای بال بوش با پوسته فیبر و شیار بزرگ (اینچ)

LMBS.uuOP

توضیحات شماره فنی

بلبرینگهای بال بوش با پوسته آهنی و فلنج گرد

LFEF.uu

بلبرینگهای بال بوش با پوسته آهنی و فلنج گرد

LMF.uu

بلبرینگهای بال بوش با پوسته آهنی و فلنج گرد و طرف برش خورده

LMH.uu

بلبرینگهای بال بوش با پوسته آهنی و فلنج چهار گوش

LMEK.uu

بلبرینگهای بال بوش با پوسته آهنی و فلنج چهار گوش

LMK.uu

توضیحات شماره فنی

یاتاقان های آلومینیومی با بلبرینگ های سری LM.uuOP با اندازه های استاندارد و چهار بیج اتصال

SBR..UU

TBR.UU

توضیحات شماره فنی

سر شفت های آلومینیومی از سایز ۸ الی ۴۰ میلی متر

SK.

زیر شفت آلومینیومی

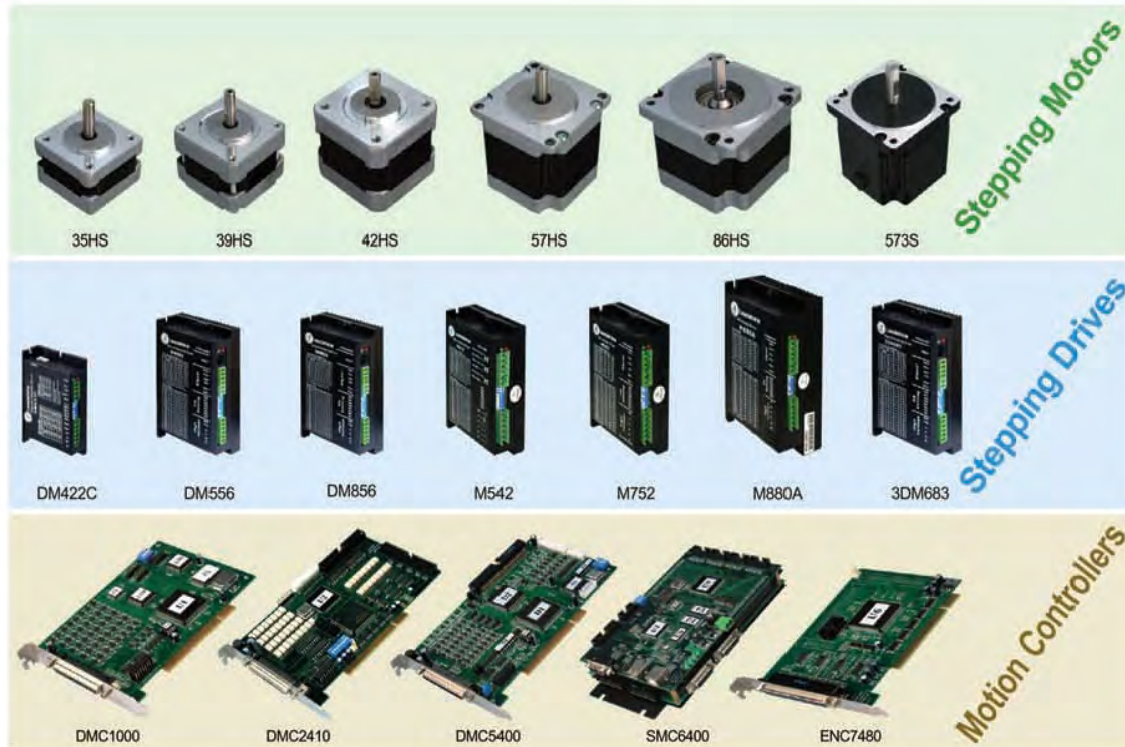
SB.



**Step Motors & DSP, Mach3 Control Systems**



**Leadshine**



**ROLLCO**  
ROLLING COMPONENTS

سیستم های ریلی ساچمه ای



**Pacific Bearing**

سیستم های خطی بدون ساچمه با تحمل بار بالا و مقاوم در برابر شوک های آنی وارد شده به سیستم



سیستم های خطی شیار دار با دقت بالا





### Back Stop System



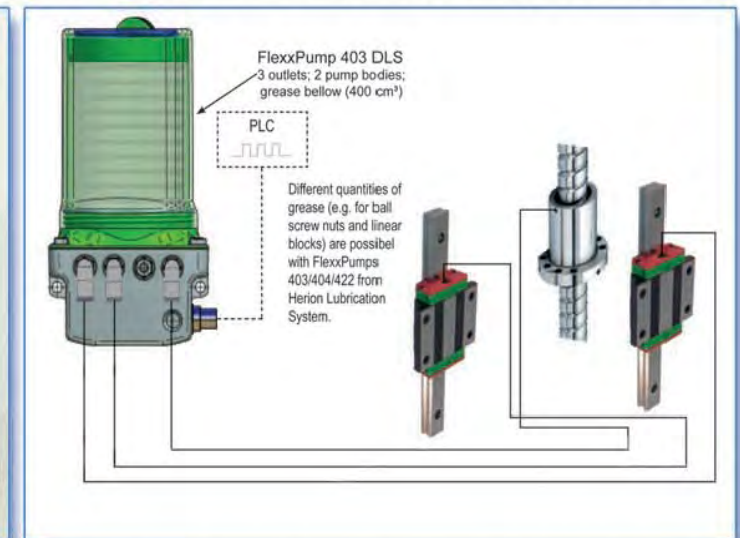
انواع بلبرینگ و رولبرینگ های بک استاپ (قفلی)



### Automatical Lubrication Systems



سیستم های گریسکاری اتوماتیک با قابلیت نصب بر روی PLC و کار با برق ۲۴ ولت مستقیم



Automatical grease-lubrication for ball screw spindle and linear rails directly pulse-controlled by PLC





### Universal Joints

چهار شاخه های صنعتی با دقت بالا



### Coupling

کوپلینگ های Zero Back Lash جهت استفاده در ماشین آلات CNC، اتوماسیون و...





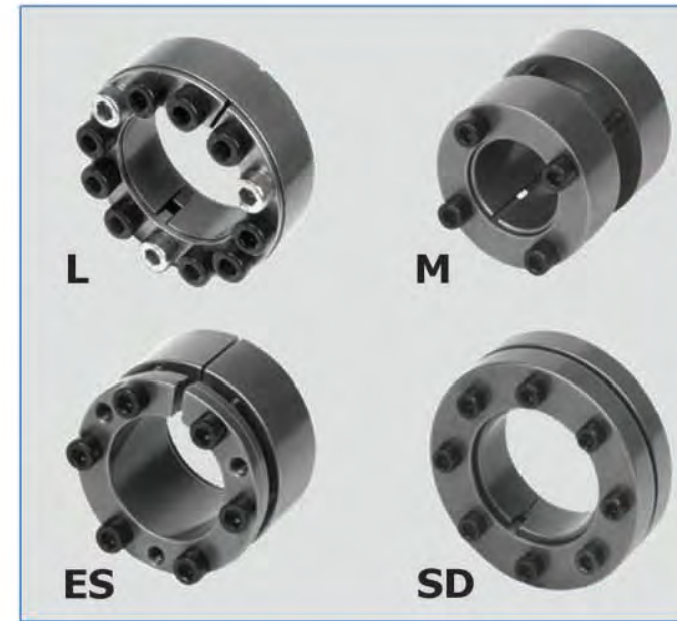
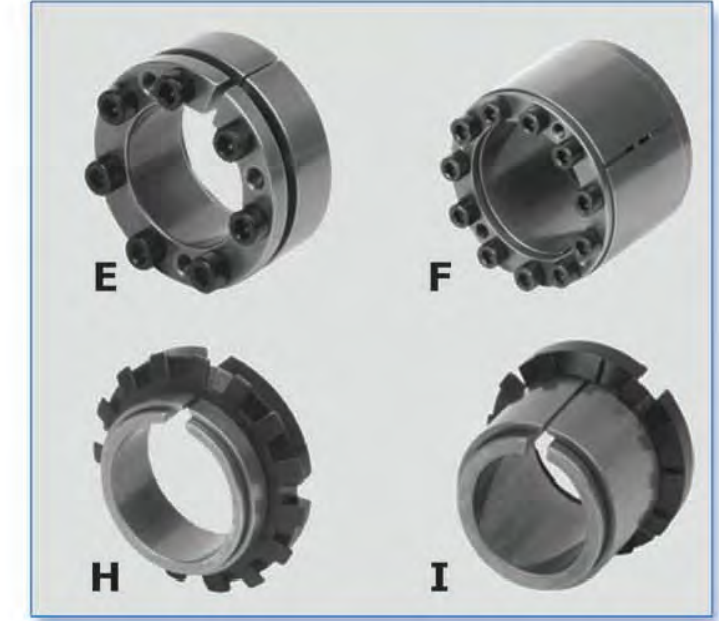
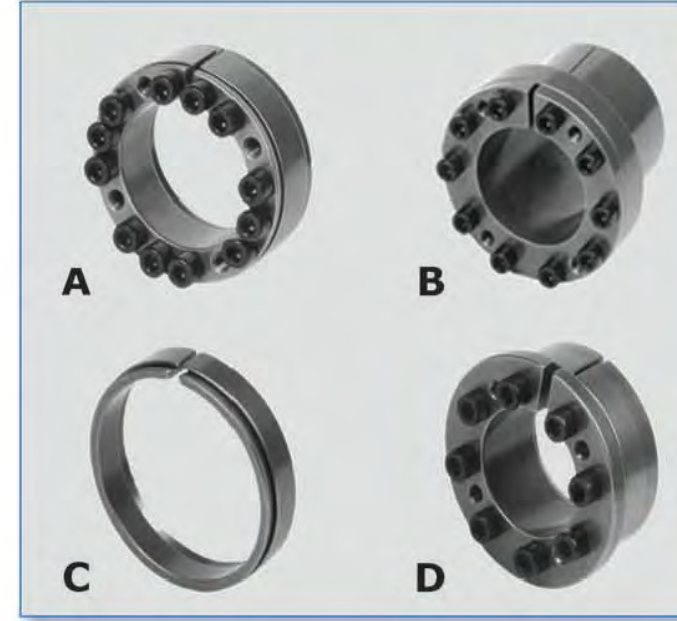
Coupling System

MADE IN GERMANY



Power Lock

پاور لوک بهترین و سریع ترین وسیله جهت اتصال شفت موتور به فولی تایمینگ، چرخ دنده و ..



توضیحات

پاور لوک

شماره فنی

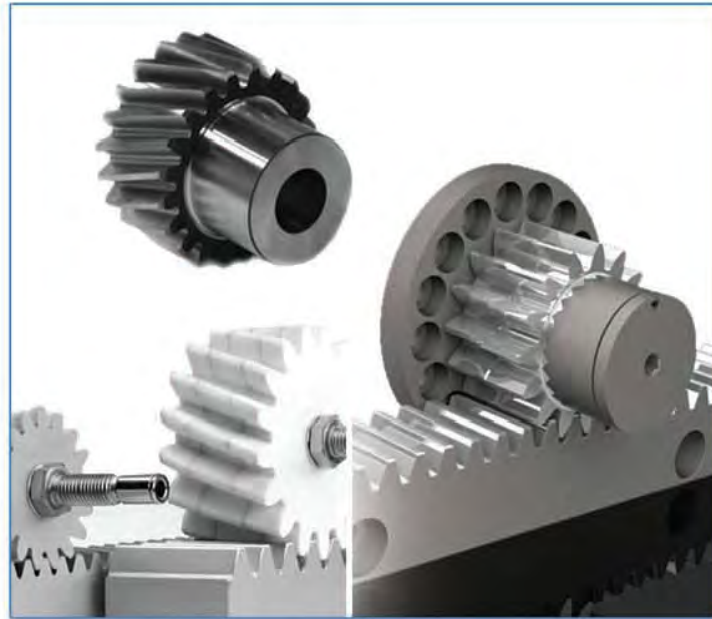
A.. B.. C.. D.. E.. F.. H.. I..  
L.. M.. ES.. SD.. FG.. DS..



### Rock & Pinion

**WMH HERION**  
MADE IN GERMANY

دنده های شانه ای مورب و ساده با دقت بالا جهت استفاده در ماشین آلات CNC برای سرعت و دقت بالا و صدای کم



### Pully Timing

MXL, XL, L, H, 5M, 8M, T5, T10

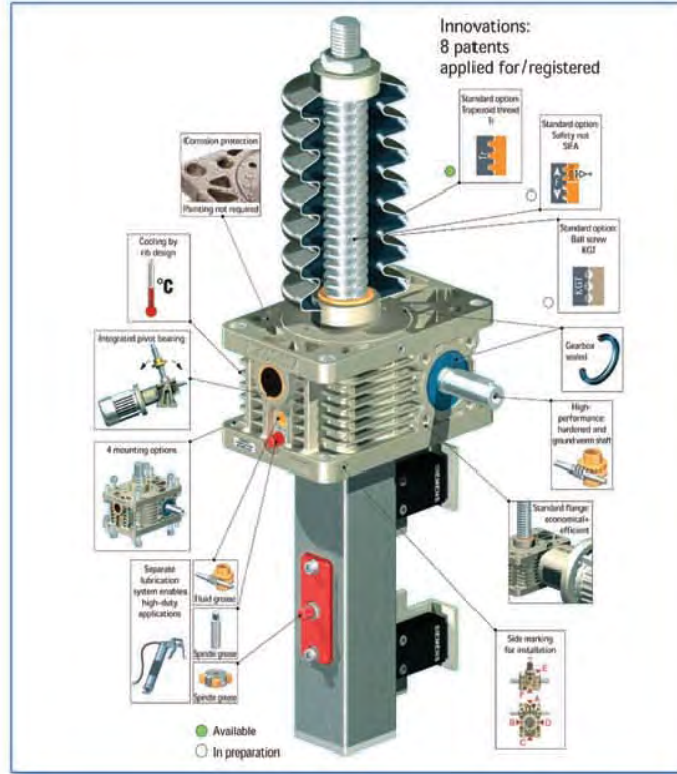
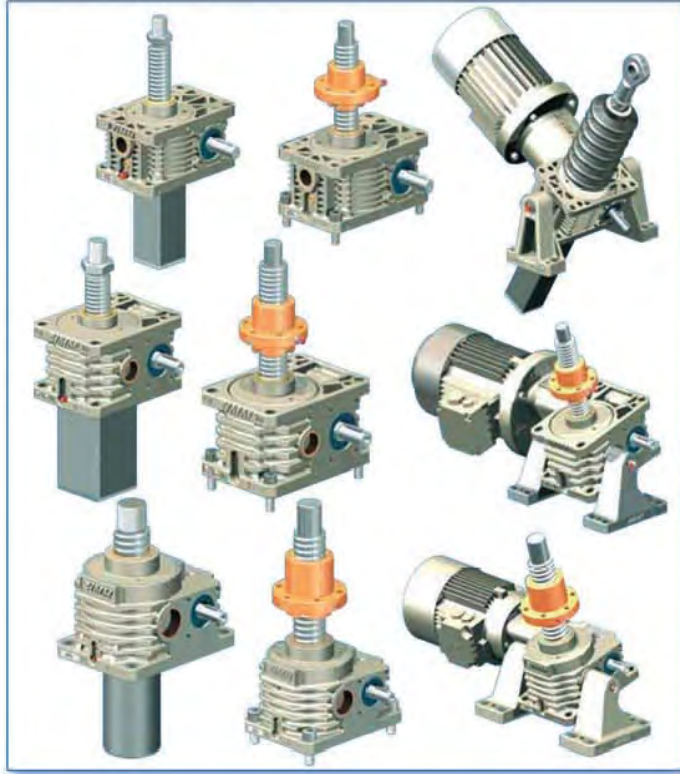
انواع فولی تایمینگ جهت مصارف صنعتی





## Jack Screw

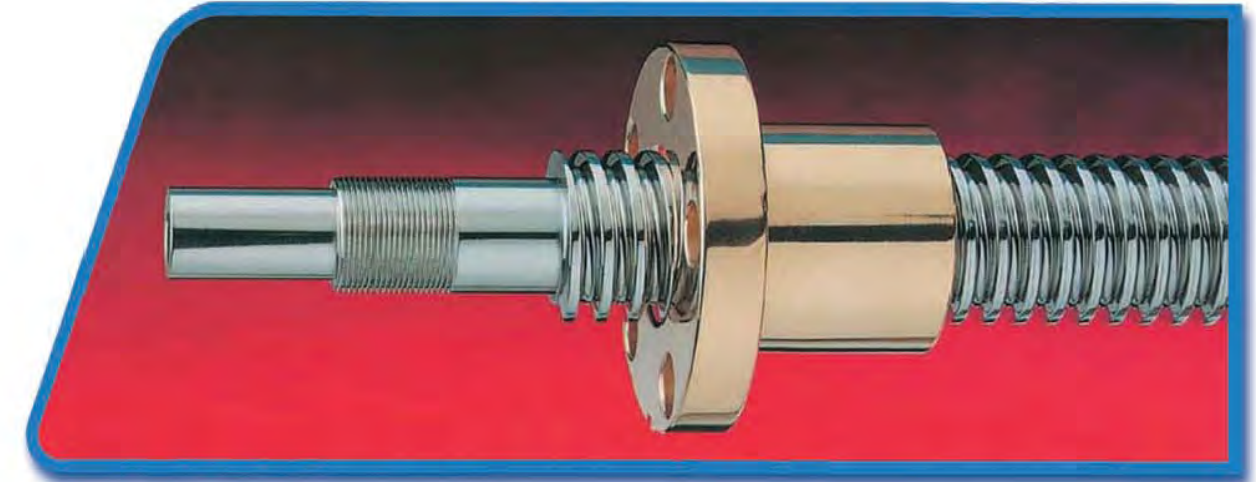
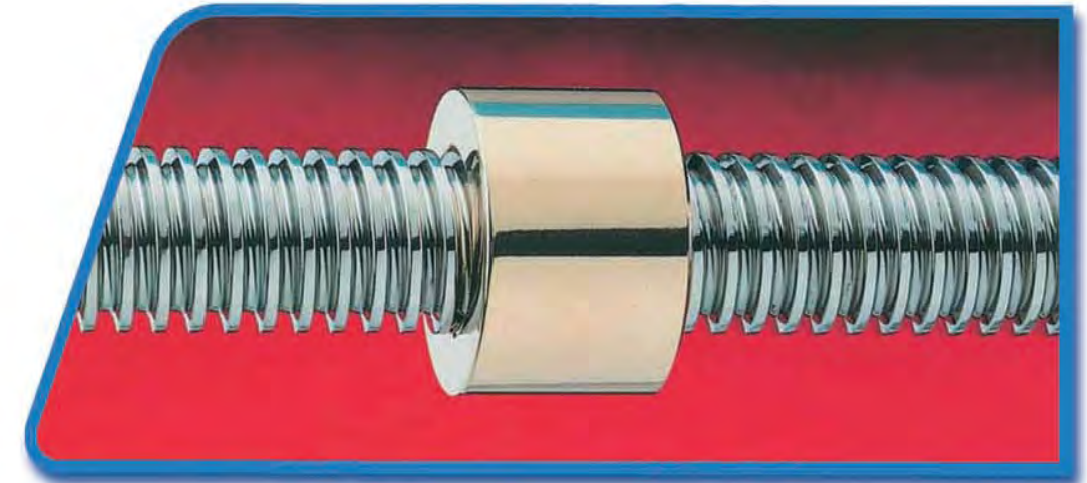
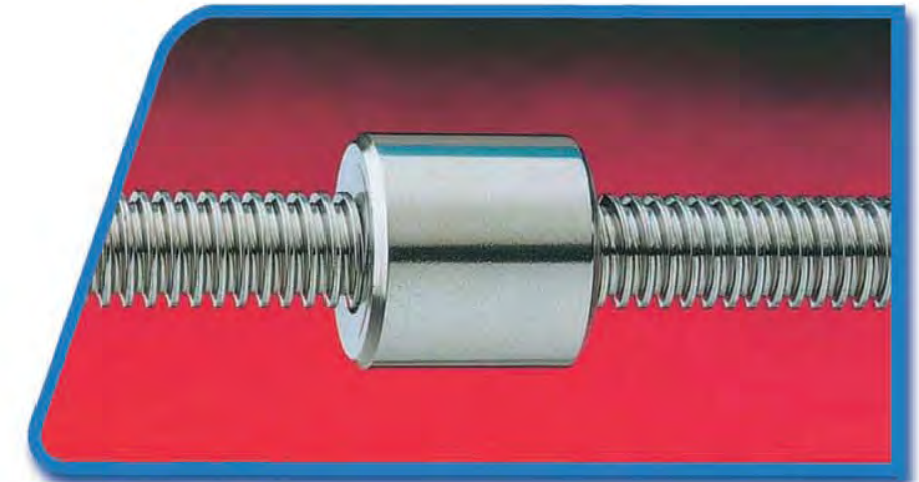
**ZIMM**  
Screw Jack Systems



## Lead Screw

پیچ های دوزنقه ای (لید اسکرو)

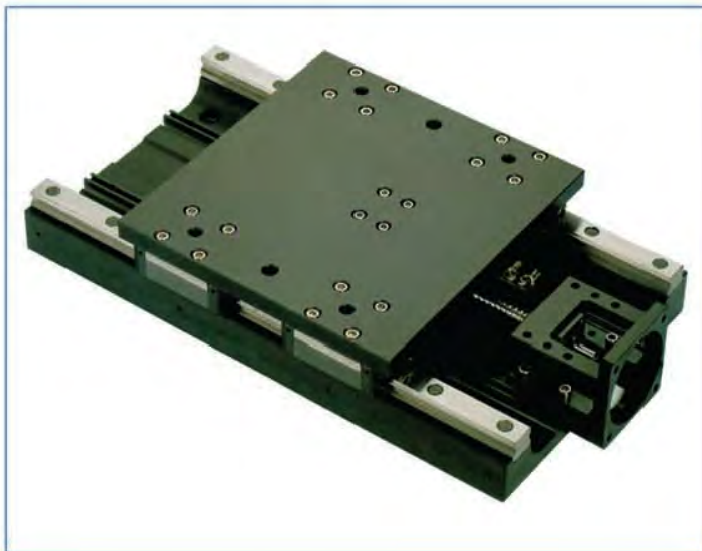
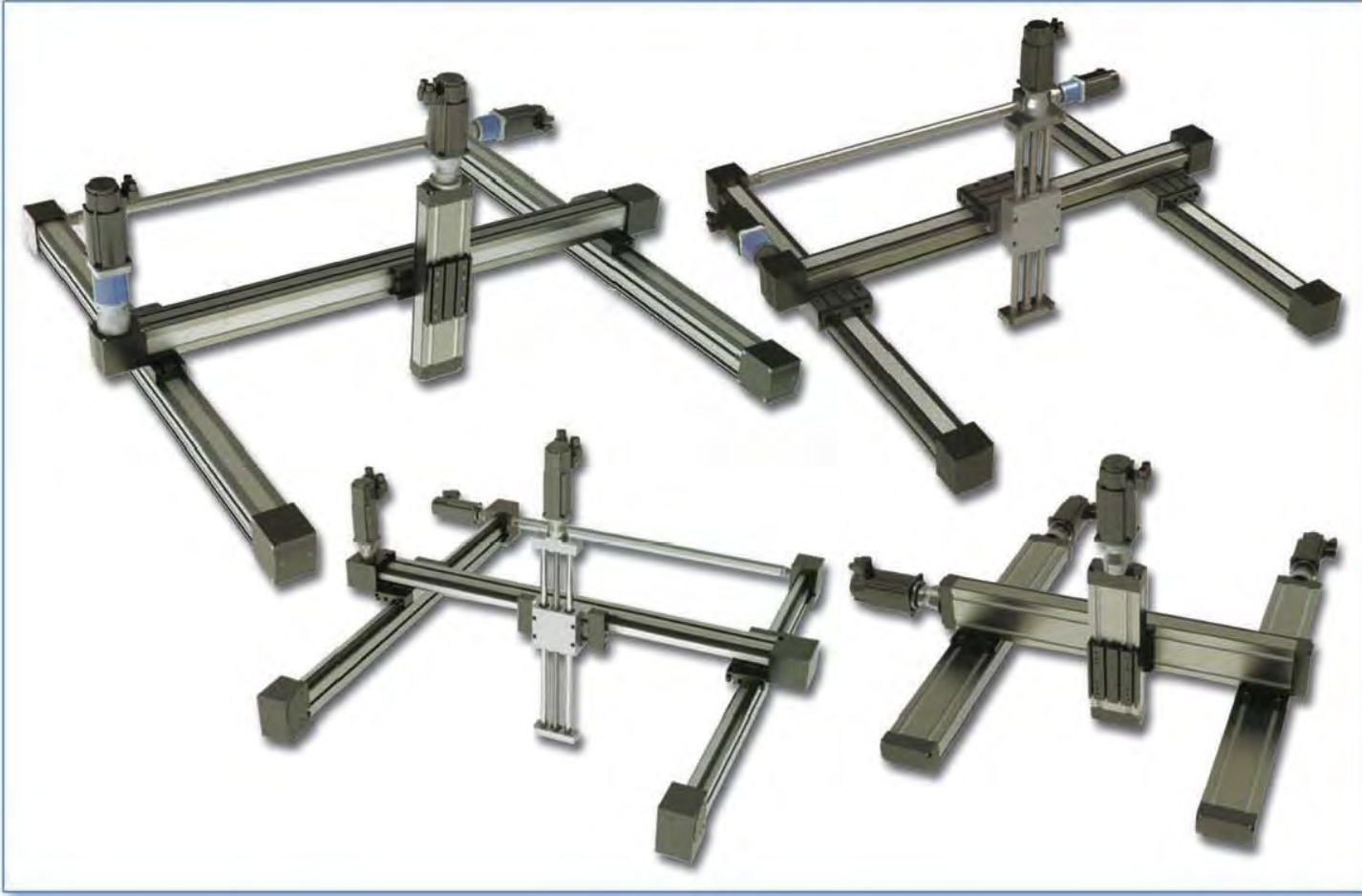
**CONTI**<sup>®</sup>  
MADE IN ITALY





## Jack Screw

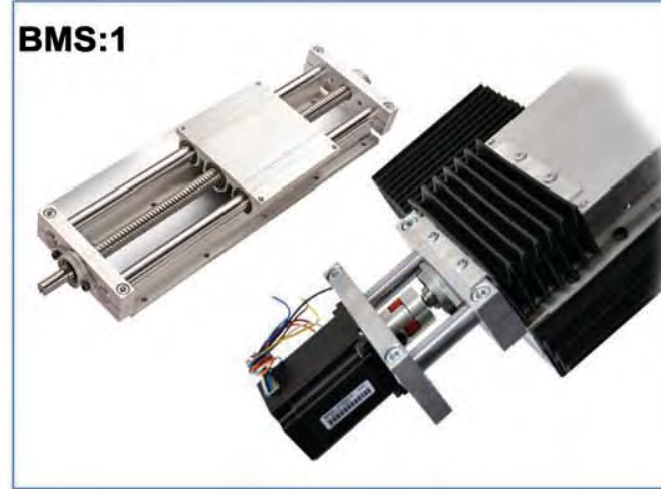
سیستم های حرکت سه محور مونتاژ شده بوسیله مدوله های آماده



## X.Y Tables

انواع مدول های خطی با بال اسکرو و تسمه های تایمینگ

**BMS:1**



**BMK**



**BRM: 06,10,20**



**KR THK**



**OBC: 180**



**OBC: 80x80 ,120x120**





**Rod & Bearing**

**LS Spherical Plan Bearing**

MADE IN CHINA



**Cam Follower Bearing**

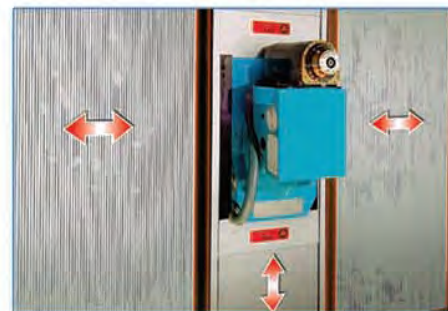
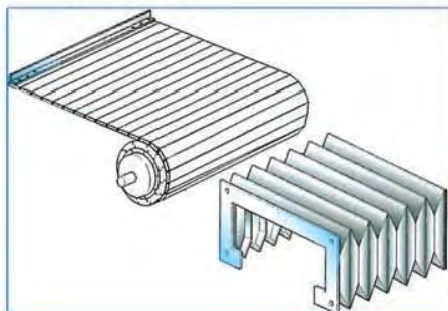
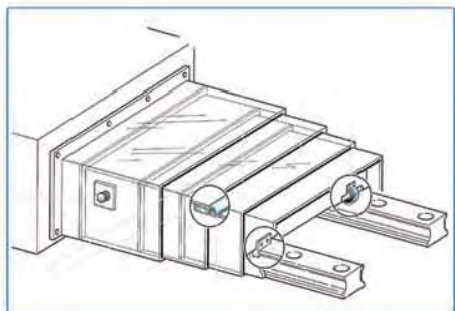
**JMC**

MADE IN KOREA



**Cover for Linear System**

ساخت کاور های صنعتی برای ماشین آلات CNC طبق سفارش مشتری



**Bearing Units**

انواع بلبرینگ های یاتاقانی

**NKB**  
MADE IN TAIWAN





### Linear Roller Bearings

سیستم های خطی با بلبرینگ های پشت شیار دار

**HEPCO** MADE IN ENGLAND



**FACE** MADE IN ITALY



**COOPER** SPLIT ROLLER BEARINGS MADE IN USA



### Spindel Motor (High Frequency)

موتور های با فرکانس بالا جهت استفاده در ماشین آلات CNC صنعت چوب

**AREI**  
MADE IN TURKEY



**chiteco**  
MADE IN ITALY

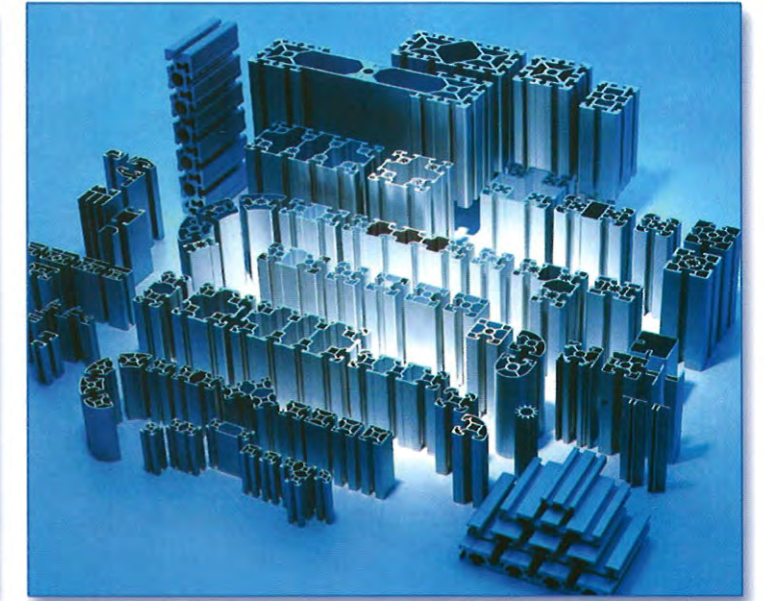






## Aluminium Profile & Accessories

انواع مقاطع آلومینیومی جهت ساخت شاسی و کاور ماشین آلات صنعتی





بلبرینگ های نسوز و استنلس استیل مارک **ENC** اسپانیا

**Ballbearing**

**ENC Bearings**  
One colour for each temperature  
MADE IN SPAIN

*as easy as that!*

**BRL**  
Bearings & Components

The company that brings **colour** to temperature



MADE IN TURKEY



بلبرینگ های مارک آ-ر-ت با ۲ سال گارانتی



MADE IN TAIWAN

انواع گیربکس های خورشیدی با دقت بالا از ۱ به ۵ از ۱ به ۱۰۰

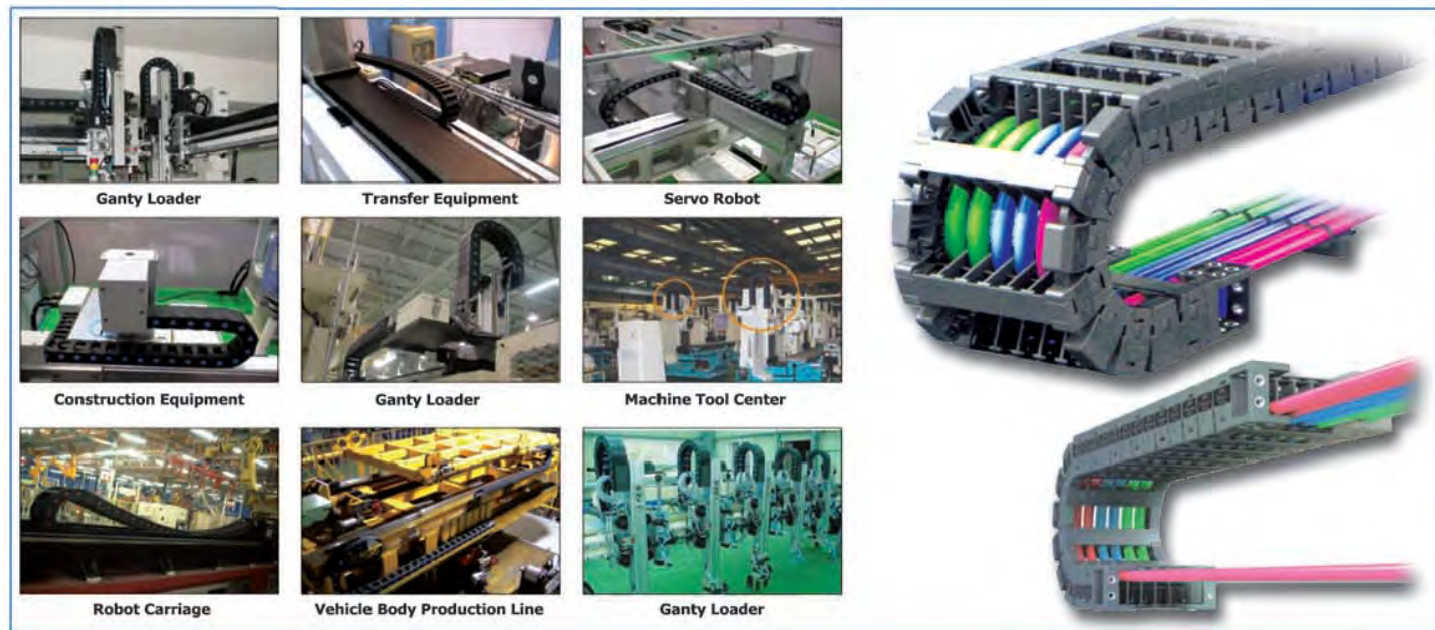




### Cable Carrier System



سیستم های حمل کننده کابل



### Flexible Corrugated Tube



شیلنگ های خرطومی از سایز ۷ الی ۹۵ میلی متر و انواع اتصالات آنها جهت استفاده در بخش سیم کشی صنایع خودرو سازی و ماشین سازی

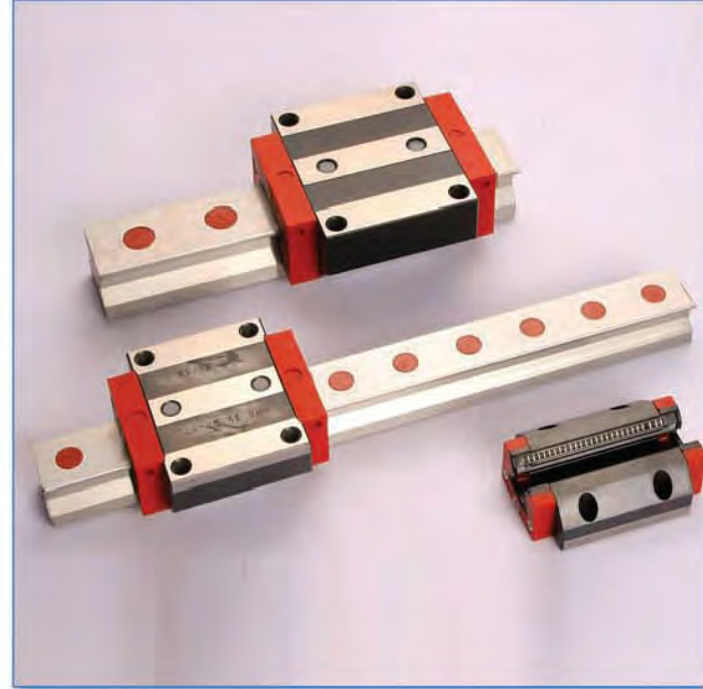




### Linear Technology

SCHNEEBERGER  
LINEAR TECHNOLOGY  
MADE IN GERMANY

لینیرهای ساچمه ای استوانه ای



### High Temperature & Stainless Steel Bearings

بلبرینگ های نسوز و استنلس استیل



بلبرینگ های پشت شیاردار



### Support Unit

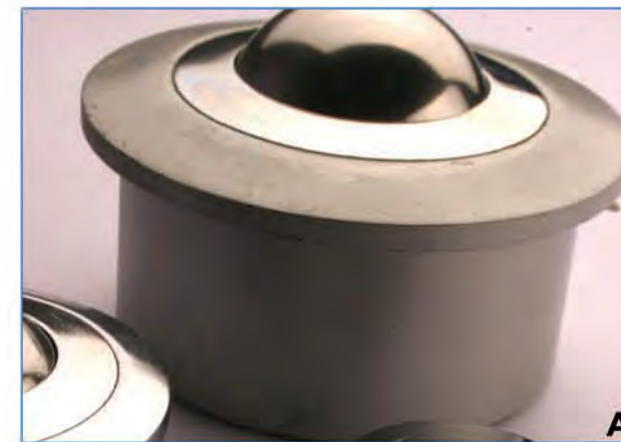
سپورت مهره ثابت

سپورت مهره متحرک



### Ball Transfer

بلبرینگ های چشمی ( ساچمه حمل کننده )





MADE IN TURKEY  
**LEVEL**  
MAKINA TAMPONLARI



MADE IN TURKEY  
**LEVEL**  
MAKINA TAMPONLARI

## Machine Mounts

پایه و یراق آلات ماشین آلات صنعتی





## Linear Shafts & Customized Precision Shafts

Induction Hardened & Chrome Plated Linear Shafts



شفت های سخت کاری شده با روکش کروم و سنگ خورده  
مخصوص لاینر پوشینگ ها



### NI-WV

Shaft diameter d (*)	Weight per meter	Shaft code number	Standard length	Hardening depth Rht DIN 6773	Straightness (maximum)	Roundness (maximum)	Tolerance ISO h6	Standard tolerance ISO h7
mm	kg		mm	mm	mm/meter	µm	µm	µm
4	0.10	NI-WV4	3100	0.5 - 0.8	0,16	4	0/-8	0/-12
5	0.16	NI-WV5	3100	0.5 - 0.8	0,16	4	0/-8	0/-12
6	0.23	NI-WV6	6000	0.5 - 0.8	0,16	4	0/-8	0/-12
8	0.40	NI-WV8	6000	0.6 - 0.9	0,16	4	0/-9	0/-15
10	0.62	NI-WV10	6000	0.7 - 1.0	0,12	4	0/-9	0/-15
12	0.89	NI-WV12	6000	0.8 - 1.2	0,12	5	0/-11	0/-18
14	1.21	NI-WV14	6000	0.9 - 1.3	0,12	5	0/-11	0/-18
15	1.39	NI-WV15	6000	1.0 - 1.4	0,12	5	0/-11	0/-18
16	1.58	NI-WV16	6000	1.1 - 1.5	0,10	5	0/-11	0/-18
20	2.47	NI-WV20	6000	1.2 - 1.5	0,10	6	0/-13	0/-21
25	0.85	NI-WV25	6000	1.5 - 1.7	0,10	6	0/-13	0/-21
30	5.55	NI-WV30	6000	1.5 - 1.9	0,10	6	0/-13	0/-21
35	7.55	NI-WV35	6000	1.5 - 1.9	0,10	7	0/-16	0/-25
40	9.87	NI-WV40	6000	1.6 - 2.0	0,10	7	0/-16	0/-25
45	12.50	NI-WV45	6000	1.6 - 2.0	0,10	7	0/-16	0/-25
50	15.40	NI-WV50	6000	2.2 - 2.6	0,10	7	0/-16	0/-25
60	22.20	NI-WV60	6000	2.2 - 2.6	0,10	8	0/-19	0/-30
70	30.20	NI-WV70	6000	2.2 - 2.6	0,10	8	0/-19	0/-30
80	39.50	NI-WV80	6000	2.2 - 2.6	0,10	8	0/-19	0/-30
90	49.92	NI-WV90	6000	2.2 - 3.2	0,20	8	0/-22	0/-35
100	96.28	NI-WV100	6000	2.2 - 3.2	0,20	8	0/-22	0/-35
110	74.56	NI-WV110	6000	2.5 - 4.0	0,20	8	0/-22	0/-35
120	88.73	NI-WV120	6000	2.5 - 4.0	0,20	8	0/-22	0/-35
125	96.28	NI-WV125	6000	2.5 - 4.0	0,20	8	0/-25	0/-40

By request we can supply shaft diameters in no listed dimensions with special lengths and tolerance

- Surface hardness: 60-64 HRC
- Chrome layer hardness: 900-1100HV0.1
- Lengths tolerances: ±200 mm
- Chrome thickness: 7-15 microns
- Surface roughness: max Ra = 0.2 microns
- Steel grades: Ck55; Cf53

## Linear Shafts & Customized Precision Shafts

Induction Hardened & Ground Linear Shafts



شفت های سخت کاری شده و سنگ خورده  
مخصوص لاینر پوشینگ ها



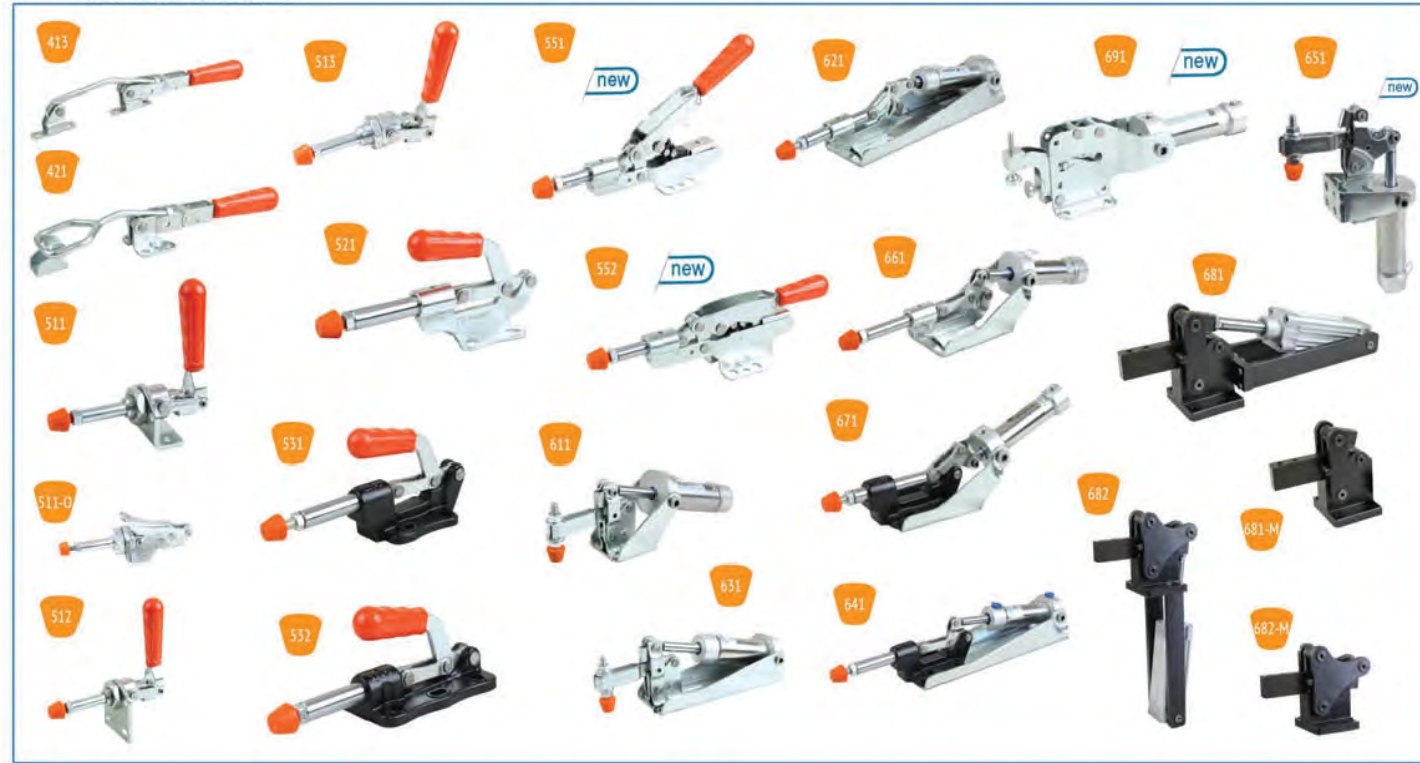
### NI-W

Shaft diameter d (*)	Weight per meter length	Shaft code number	Standard length	Hardening depth Rht DIN 6773	Straightness (maximum)	Roundness (maximum)	Standard tolerance ISO h6	Tolerance ISO g6
mm	kg		mm	mm	mm/meter	µm	µm	µm
4	0.10	NI-W4	3100	0.5 - 0.8	0,16	4	0/-8	-4 -12
5	0.16	NI-W5	3100	0.5 - 0.8	0,16	4	0/-8	-4 -12
6	0.23	NI-W6	6000	0.5 - 0.8	0,16	4	0/-8	-4 -12
8	0.40	NI-W8	6000	0.6 - 0.9	0,16	4	0/-9	-5 -14
10	0.62	NI-W10	6000	0.7 - 1.0	0,12	4	0/-9	-5 -14
12	0.89	NI-W12	6000	0.8 - 1.2	0,12	5	0/-11	-6 -17
14	1.21	NI-W14	6000	0.9 - 1.3	0,12	5	0/-11	-6 -17
15	1.39	NI-W15	6000	1.0 - 1.4	0,12	5	0/-11	-6 -17
16	1.58	NI-W16	6000	1.1 - 1.5	0,10	5	0/-11	-6 -17
20	2.47	NI-W20	6000	1.2 - 1.5	0,10	6	0/-13	-7 -20
25	0.85	NI-W25	6000	1.5 - 1.7	0,10	6	0/-13	-7 -20
30	5.55	NI-W30	6000	1.5 - 1.9	0,10	6	0/-13	-7 -20
35	7.55	NI-W35	6000	1.5 - 1.9	0,10	7	0/-16	-9 -25
40	9.87	NI-W40	6000	1.6 - 2.0	0,10	7	0/-16	-9 -25
45	12.50	NI-W45	6000	1.6 - 2.0	0,10	7	0/-16	-9 -25
50	15.40	NI-W50	6000	2.2 - 2.6	0,10	7	0/-16	-9 -25
60	22.20	NI-W60	6000	2.2 - 2.6	0,10	8	0/-19	-10 -29
70	30.20	NI-W70	6000	2.2 - 2.6	0,10	8	0/-19	-10 -29
80	39.50	NI-W80	6000	2.2 - 2.6	0,10	8	0/-19	-10 -29
90	49.92	NI-W90	6000	2.2 - 3.2	0,20	8	0/-22	-12 -34
100	96.28	NI-W100	6000	2.2 - 3.2	0,20	8	0/-22	-12 -34
110	74.56	NI-W110	6000	2.5 - 4.0	0,20	8	0/-22	-12 -34
120	88.73	NI-W120	6000	2.5 - 4.0	0,20	8	0/-22	-12 -34
125	96.28	NI-W125	6000	2.5 - 4.0	0,20	8	0/-25	-14 -39

- Surface hardness: 60-64 HRC
- Lengths tolerances: ±200 mm
- Surface roughness: max Ra = 0.2 microns
- Steel grades: Cf53; Ck55 (C55E); C60E



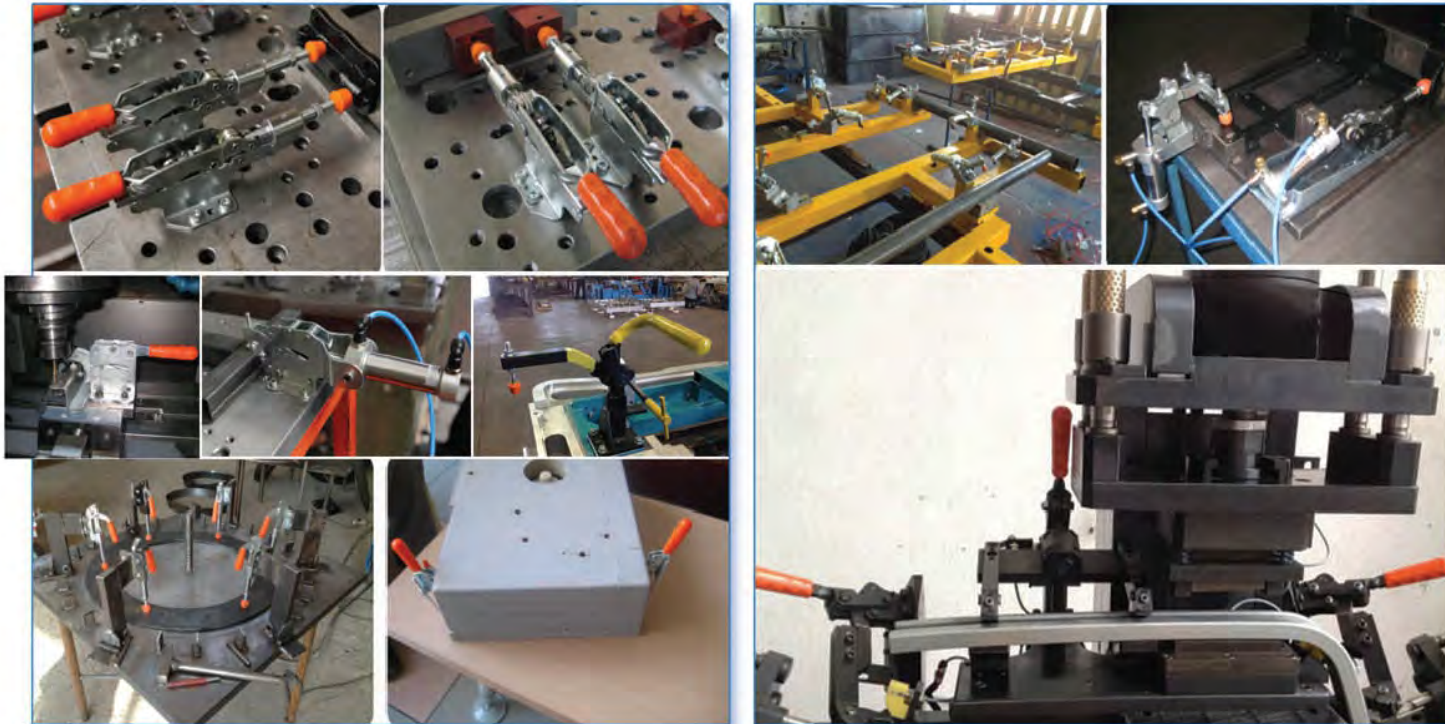
**KUKAMET**  
HIZLI BAĞLANTI ELEMANLARI / TOGGLE CLAMPS  
MADE IN TURKEY



**KUKAMET**  
HIZLI BAĞLANTI ELEMANLARI / TOGGLE CLAMPS  
MADE IN TURKEY

**Toggle Clamps**

گیره های اتصال سریع ( دستی ، پنوماتیکی ) در انواع مدل ها











Actuator/Gear Motor/Control

MADE IN TAIWAN & CHINA



**ID10(ACME Type)**  
 Input: 12 / 24 VDC  
 Max. Load: 3500 N  
 Speed: 33 mm/s (no load)  
 7 mm/s (3500 N)  
 Stroke: 102-610 mm  
 Duty Cycle: 25% (max. 2 min continuous on)  
 Color: Black  
 Overload Clutch Protection  
 Protection Rating: IP 54

**OPTION |**  
 Potentiometer  
 Adjustable Limit Switches  
 Manual Drive by Hand Crank  
 Protection Rating: IP 65

Standard

**ID10(BALL SCREW Type)**  
 Input: 12 / 24 VDC  
 Max. Load: 7000 N  
 Speed: 67 mm/s (no load)  
 7 mm/s (7000 N)  
 Stroke: 102-610 mm  
 Duty Cycle: 25% (max. 2 min continuous on)  
 Color: Black  
 Overload Clutch Protection  
 Protection Rating: IP 54

**OPTION |**  
 Potentiometer  
 Adjustable Limit Switches  
 Manual Drive by Hand Crank  
 Protection Rating: IP 65



Standard

**ID11(ACME Type)**  
 Input: 12 / 24 VDC  
 Max. Load: 3500 N  
 Speed: 33 mm/s (no load)  
 7 mm/s (3500 N)  
 Stroke: 102-610mm  
 Duty Cycle: 25% (max. 2 min continuous on)  
 Color: Black  
 Overload Clutch Protection  
 Adjustable Limit Switches  
 Protection Rating: IP54

**OPTION |**  
 Protection Rating: IP65



**ID11(BALL SCREW Type)**  
 Input: 12 / 24 VDC  
 Max. Load: 7000 N  
 Speed: 67 mm/s (no load)  
 7 mm/s (7000 N)  
 Stroke: 102-610mm  
 Duty Cycle: 25% (max. 2 min continuous on)  
 Color: Black  
 Overload Clutch Protection  
 Adjustable Limit Switches  
 Protection Rating: IP54

**OPTION |**  
 Protection Rating: IP65




MADE IN TAIWAN & CHINA

Actuator/Gear Motor/Control

سیستم موتورهای خطی (لینیر جک) جهت مصارف صنعتی

Industrial Series

**IA5(ACME Type)** Heavy Duty Actuator with AC Motor  
 Input: 100,115VAC/60Hz ; 230 VAC/50Hz  
 Max. Load: 3500 N  
 Speed: 28 mm/s(no load, 115V)  
 3 mm/s (3500 N, 230V)  
 Stroke: 102-610 mm  
 Duty Cycle: 25% (max. 2 min continuous on)  
 Color: Black  
 Overload Clutch Protection  
 Self-Locking  
 Thermal Overload Protection in Motor  
 Protection Rating: IP54



Potentiometer / Limit Switches

Standard

**IA5(BALL SCREW Type)** Heavy Duty AC Actuator with Ball Screw  
 Input: 100,115VAC/60Hz ; 230 VAC/50Hz  
 Max. Load: 3500 N  
 Speed: 56 mm/s (no load, 115V)  
 3 mm/s (7000 N, 230V)  
 Stroke: 102-610 mm  
 Duty Cycle: 25% (max. 2 min continuous on)  
 Color: Black  
 Overload Clutch Protection  
 Self-Locking  
 Thermal Overload Protection in Motor  
 Protection Rating: IP54

**OPTION |**  
 Potentiometer  
 Adjustable Limit Switches  
 Protection Rating: IP65




Standard

Potentiometer / Limit Switches

**LD3** Compact Actuator  
 Input: 24 / 12 VDC  
 Max. Load: 1200 N  
 Speed: 45 mm/s (no load)  
 7 mm/s (1200 N)  
 Stroke: 50-300 mm  
 Duty Cycle: 25% (max. 2 min continuous on)  
 Protection Rating: IP54

**OPTION |**  
 Hall Effect Sensor  
 Potentiometer  
 Protection Rating: IP65  
 Clamp



Standard Potentiometer Hall Effect

**ID10S** Heavy Duty Actuator for Solar Tracking  
 ACME Type / Ball Screw Type  
 Input: 12/24/36/90 VDC  
 Max. Load: (ACME) 5500 N  
 (Ball) 9000 N  
 Speed: (ACME) 5.5 mm/s (No load)  
 4.5 mm/s (@5500N)  
 (Ball) 5.5 mm/s (No load)  
 4.5 mm/s (@9000N)  
 Stroke: 450-900 mm  
 Duty Cycle: 10% (max. 2 min continuous on)  
 Overload Clutch Protection  
 Adjustable Limit Switches  
 Hall Effect Sensor (Digital Feedback)  
 Aluminum Back Cover  
 Clamp  
 Protection Rating: IP 54

**OPTION |**  
 Stainless Extension Tube  
 Potentiometer (Analog Feedback)  
 Reed Sensor (Digital Feedback)  
 Protection Rating: IP 65



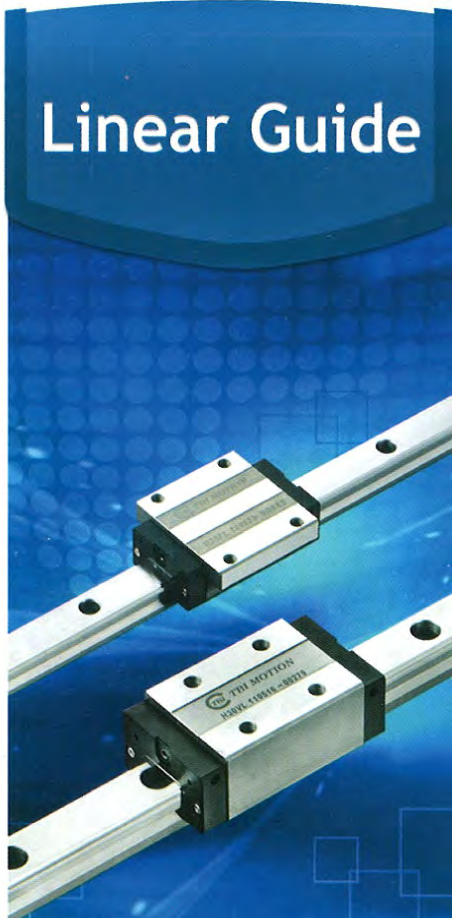



Page 5 to 12

Page 13 to 17

Page 18 to 35

## Linear Guide



- Excellent Quality
- Move Smoothly
- Easy Assembly
- Patent Design



## Ball Spline



- High Load Carrying Capacity
- Zero Angular Backlash
- Easy Assembly
- High Rigidity



## Ball Screw



- High Load Carrying Capacity
- High Rigidity
- High Speed
- Low Noise



## Home & Medical Solution

Input: 100/120/230 VAC  
Max. Load: 2\*4500N (TW41)  
Max. Speed: 5 mm/sec  
Stroke: 87 mm (Back) / 69 mm (Legs)  
(Other Strokes Available)  
Emergency Lowering Function by 2\*9V Batt.  
Duty Cycle: 10% (max. 2 min continuous on)  
Protection Rating: IP20  
Patented



**TW41 / TW61**

**OPTION |**  
Max. Load: 2\*6000N (TW61)  
External Switching Power Supply  
Internal Switching Power Supply  
Additional 1~2 Actuators or Massage Motors  
Safety Plug (Mains Cut-off)  
Memory Function  
Wired Handset / RF Handset / IR Handset  
Protection Rating: IPX4  
Color: Light Gray (RAL 7035)

**CBP2**  
Control Box for Patient Lift  
Input: 120 / 230 VAC, 60 / 50Hz  
Output: 24 VDC, (5Ah 2\*12V)  
Drive up to 2 Actuators  
Pulling-proof AC Plug  
Adjustable Overload Protection  
Actuator's Over-duty Alarm on LCD  
Emergency Stop Button  
Control Panel with max. 4 Buttons  
Charging Function  
Battery Capacity on LCD Display  
Low Battery Alarm  
Duty Cycle: 10% (max. 2 min continuous on)  
Protection Rating: IPX5  
Color: Light Gray (RAL 7035)



**OPTION |**  
Battery Capacity Indicator on Battery Pack  
Soft Start and Stop for Lifting Actuator  
Stand-alone Charger (CHP1)  
Additional Battery Pack (BTP1)

Input: 24 / 12 VDC  
Max. Load: 6000N (push) / 4000N (pull)  
Speed: 4.2mm/sec (no load)  
2.9mm/sec (6000N)  
Stroke: 60~300 mm  
Preset Limit Switches  
Duty Cycle: 10% (max. 2 min continuous on)  
Protection Rating: IPX4  
Color: Light Gray (RAL 7035)

**OPTION |**  
Speed: 3.1~44 mm/sec (no load)  
Hall Effect Sensor  
Push Only  
Safety Nut  
Quick Release  
Protection Rating: IPX5



**MD66**

**MD7C**  
A Control Box that can be attached to MD7 Actuator  
Input: 100 / 120 / 230 VAC, 60 / 50 Hz  
Output: 24 VDC @ 3 A max.  
Drive up to 4 Actuators  
Emergency Lowering Function by 2\*9V Batt.  
Duty Cycle: 10% (max. 2 min continuous on)  
Protection Rating: IPX4  
Color: Light Gray (RAL 7035)



**OPTION |**  
High Voltage Output  
Protection Rating: IPX5





# بلیبرینگ اسکونی

( اسکو صنعت تاوریز )

## OSKOYI BALLBEARING

- Linear Guide
- ball screw
- ball spline
- ballbearing

**OSKO SANAT TAVREJ**

