

## OSKOYI BALLBEARING

OSKO SANAT TAVREJ

Linear Guide

Ball Screw

Ball Spline

دفتر مرکزی:

تهران، خیابان امیر کبیر، کوچه

ناظم الاطباء، پاساژ مبصر، پلاک ۴

تلفن:

۳۳۹۵۱۶۶۰-۳۳۹۱۳۳۶۴

۳۳۹۸۴۰۵۱-۳۳۹۸۴۶۱۲

نمبر:

۳۳۹۸۵۶۰۳

[WWW.1OBC.COM](http://WWW.1OBC.COM)

[Borhan772000@yahoo.com](mailto:borhan772000@yahoo.com)

**Strong R&D Capility**

**Complete Production Line**

**Quick Delivery**



## مشتریان گرامی:

در راستای توسعه اقتصاد پایدار و نیل در جهت دستیابی به اقتصاد فراگیر داخلی، بلبرینگ اسکونی افتخار دارد به منظور تامین قطعات و تهیه انواع برینگ ها با همکاران، تولید کنندگان و تشکل های صنعتی همکاری صمیمانه داشته باشد.

بلبرینگ اسکونی افتخار دارد با سابقه طولانی و داشتن نمایندگی های انحصاری از شرکت های معتبر خارجی در زمینه تهیه و توزیع سیستم های جدید بلبرینگ ( لاینر ریل سیستم ، لاینر بال بوش سیستم ، بال اسکرو، بک استاپ ( یک طرف گرد قفلی و ... ) سفارشات مشتریان خود را با هر مارک و هر تیپ که باشد در سریعترین زمان تهیه و تحویل نماید.

بلبرینگ اسکونی با کادری مجرب قادر هست نیاز شما عزیزان را از لحاظ تامین قطعات و مشاوره فنی و ارائه کاتالوگ های استاندارد این قطعات جواب گو باشد.

تحویل کالا برندها و مارک های ذیل در کمترین زمان اعلام شده ممکن می باشد.

با تشکر

بلبرینگ اسکونی

ACME CHAIN	CHAR LYNN	HIEM	MRC	SAGINAW
AETNA BEARING	CHICAGO RAWHIDE	HFH	NACHI	ACHATZ
AKT	CONSOLIDATED BRG	HILLIRAD	NADELLA	SKF
ALINLEABAL	COPPER BRG	HIRSCHMANN	NATIONAL	SMB
AMERICAN ROLLER BRG	CORLETT-TUNER	HOOVER	NB	SMITH
ANDREWS	DAYCO	HORTON	NEW DEPARTURE	SNR
AKSUBAL	DIAMOND CHAIN	HUB CITY	NEW HAMPSHIRE	SPHERCO
ATLAS	DODGE	HYATT	NICE	SPIROLOX
AURIRA	EATON	INA	NOOK	T.B. WOODS
BALDOR	FAFNIR	JAF	NTN	THK
BALL&ROLLER BRG CO	FAG	JOHN DEERE	OSBORNE	THOMSON
BARDEN	FALK	KAYDON	RBC	TIMKEN
BCA	FEDERAL-MOGUL	KILIAN	REEVES	TORRINGTON
BOSTON GEAR	GAMET	LEMPCO	RELIANCE ELECTRIC	TRINGLE
BOWER	GARLOCK	LINK BELT	REXNORD	TSUBAKI
BREWER	GATES	LOVEJOY	RINGSPANN	TYSON
BROWNING	GENBAERCO	MATTHEWS	RMB	UNIBAL
CAMCO	GMN	MESSINGER	ROSE	UNION CHAIN
CARR LANE	GOOD YEAR	MPB	ROTHERS	ZERO MAX



**Contents**

1- TBI Linear Guide .....	5-12	28- Spindel Motor .....	56
2- TBI Ball Splain .....	13-17	29- Linear Roller Bearing .....	57
3- TBI Ball Screw .....	18-35	30- Aluminium Profile .....	58-59
4-Linear Motion Technology .....	36	31- Ballbearings .....	60
5- Ball Screw Support Unit .....	37	32- Stainless Steel Bearings .....	61
6- Linear Bushing Syetem .....	38-39	33- Flexible Corrugated Tube .....	62
7- سیستم های ریلی ساچمه ای .....	40	34- Cable Carrier System .....	63
8- سیستم های خطی بدون ساچمه .....	40	35- High Temperature Bearings .....	64
9- سیستم های خطی شیار دار .....	40	36- Ball Transfer .....	64
10- Step Motors & Mach3 Control System .....	41	37- Linear Technology .....	65
11- Automatical Lubrication System .....	42	38- Support Unit .....	65
12- Back Stop System .....	43	39- Machine Mounts .....	66-67
13- Coupling .....	44	39- شفت های هارد کروم .....	68-69
14- Universal Jionts .....	45	40- گیره های اتصال سریع .....	70-73
15- Power Lock .....	46	41- سیستم موتورهای خطی .....	74-76
16- coupling System .....	47		
17- Pully Timing .....	48		
18- Rock & Pinion .....	49		
19- Lead Screw .....	50		
20- Jack Screw .....	51		
21- X.Y Table .....	52		
22- سیستم های حرکت سه محور .....	53		
23- bearing Unit .....	54		
24- Rod & Bearing .....	55		
25- Spherical Plan Bearing .....	55		
26- Cam Follower Bearing .....	55		
27- Cover for Linear System .....	55		





## Linear Guide

# TBI MOTION<sup>®</sup>

MADE IN TAIWAN

TBI MOTION

## Linear Guide

TR-Ball Series

(TRH-V)(TRH-F)(TRS-V)

(TRS-F)(TRC-V)

T M- Miniature Series

(T M-N)

(T M-W)

TBI MOTION

## Ball Spline

ASIA-TYPE

(SLF)

(SLT)

EU-TYPE

TBI MOTION

## Ball Screw

Internal Return Series

(SCI)(SFI)(DFI)(SFU)(DFU)(SFM)(DFM)

External Return Series

(SFV)(DFV)

End Cap Return Series

(SFE)(SFY)(SFS)(DFS)

Ground with end

Machining Series (XSV)

Cylindrical Series (BSH)

(SCI)

Rotary Series (RFE)

Page 5 to 12

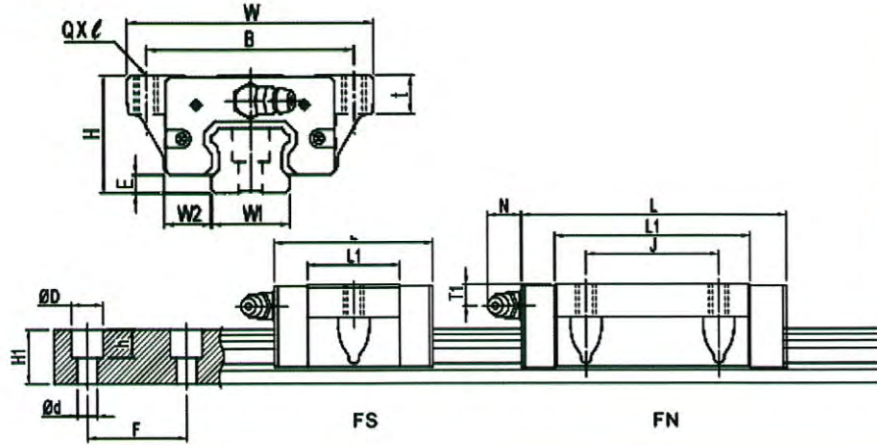
Page 13 to 17

Page 18 to 35

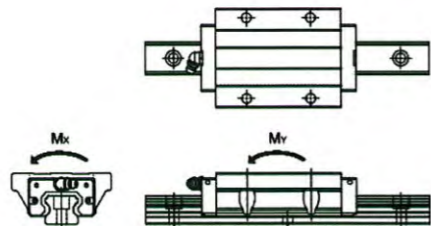




### 4) TRS-F

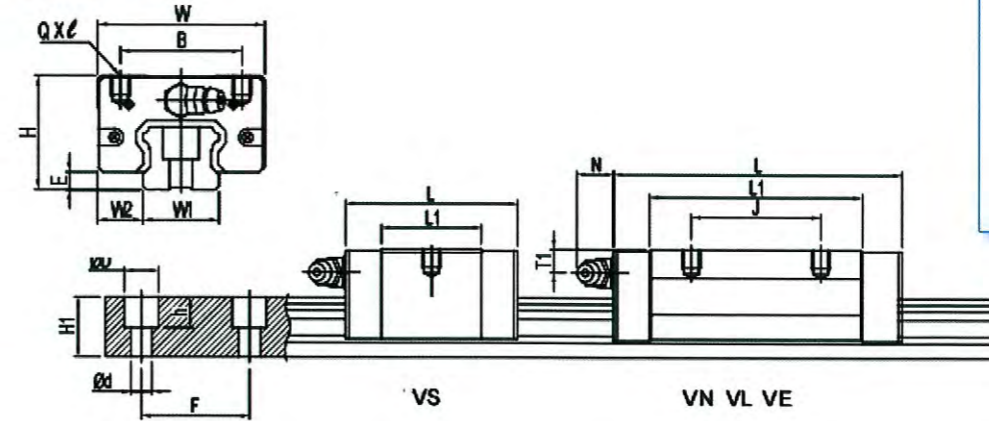


Model No.	Assembly(mm)			Block(mm)										Rail(mm)					
	H	W2	E	W	B	J	t	L	L1	QXℓ	T1	Oil Hole	N	W1	H1	φD	h	φd	F
TRS15FS	24	18.5	3.2	52	41	26	7	39.3	22.9	M5X7	5.5	M4X0.7	7	15	13	7.5	6	4.5	60
TRS15FN								55.9	39.5										
TRS20FS	28	19.5	4.6	59	49	32	9	47.8	27.8	M6X9	4.5	M6X1	14	20	16.5	9.5	8.5	6	60
TRS20FN								66.7	46.7										
TRS25FS	33	25	5.8	73	60	35	10	56.2	35.2	M8X10	4.5	M6X1	14	23	20	11	9	7	60
TRS25FN								80	59										
TRS30FS	42	31	7	90	72	40	10	66.4	40.4	M10X10	8	M6X1	14	28	23	14	12	9	80
TRS30FN								95.3	69.3										
TRS35FS	48	33	7.5	100	82	50	13	74.7	45.7	M10X13	8	M6X1	14	34	26	14	12	9	80
TRS35FN								108	79										
TRS45FN	60	37.5	8.9	120	100	60	15	124.5	90.5	M12X15	10.5	PT1/8	12.5	45	32	20	17	14	105

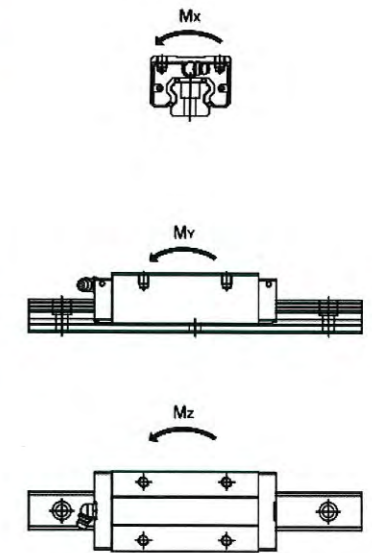


Model No.	Rating Load (kgf)		Static permissible moment of load					Weight	
	C	Co	Mx(kgf-mm)			Mz(kgf-mm)		Block (kg)	Rail (kg/m)
			Single Block	Single Block	Double Block	Single Block	Double Block		
TRS15FS	908	1471	10,957	6,420	33,531	6,420	33,531	0.098	1.32
TRS15FN	1206	2206	16,436	14,884	70,960	14,884	70,960	0.17	
TRS20FS	1398	2140	21,615	10,700	59,798	10,700	59,798	0.15	2.28
TRS20FN	1896	3307	33,404	26,459	126,998	26,459	126,998	0.24	
TRS25FS	1943	3002	34,826	18,725	97,890	18,725	97,890	0.26	3.17
TRS25FN	2581	4503	52,239	43,407	207,324	43,407	207,324	0.44	
TRS30FS	2697	3962	55,442	26,950	154,224	26,950	154,224	0.52	4.54
TRS30FN	3807	6483	90,722	74,970	355,321	74,970	355,321	0.88	
TRS35FS	3753	5401	92,349	42,896	235,304	42,896	235,304	0.76	6.27
TRS35FN	5090	8346	142,722	106,070	519,799	106,070	519,799	1.31	
TRS45FN	6758	10887	248,758	158,011	782,271	158,011	782,271	2.18	10.35

### 3) TRS-V



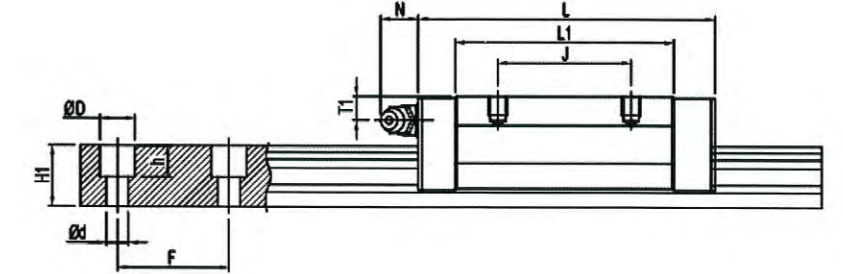
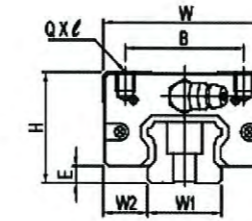
Model No.	Assembly(mm)			Block(mm)										Rail(mm)					
	H	W2	E	W	B	J	L	L1	QXℓ	T1	Oil Hole	N	W1	H1	φD	h	φd	F	
TRS15VS									39.3	22.9									
TRS15VN	24	9.5	3.2	34	26	26	55.9	39.5	M4X5	5.5	M4X0.7	7	15	13	7.5	6	4.5	60	
TRS15VL						26	64.4	48											
TRS15VE						34	79.4	63											
TRS20VS	28	11	4.6	42	32	32	47.8	27.8	M5X5	4.5	M6X1	14	20	16.5	9.5	8.5	6	60	
TRS20VN						32	66.7	46.7											
TRS20VE						32	80	59											
TRS25VS	33	12.5	5.8	48	35	35	56.2	35.2	M6X6	4.5	M6X1	14	23	20	11	9	7	60	
TRS25VN						35	80	59											
TRS25VE						35	80	59											
TRS30VS	42	16	7	60	40	40	66.4	40.4	M8X8	8	M6X1	14	28	23	14	12	9	80	
TRS30VN						40	95.3	69.3											
TRS30VL						40	106	80											
TRS30VE						60	131	105											
TRS35VS	48	18	7.5	70	50	50	74.7	45.7	M8X8	8	M6X1	14	34	26	14	12	9	80	
TRS35VN						50	108	79											
TRS35VL						50	122	93											
TRS35VE						72	162	123											
TRS45VN	60	20.5	8.9	86	60	60	124.5	90.5	M10X15	10.5	PT1/8	12.5	45	32	20	17	14	105	
TRS45VL						60	140	106											
TRS45VE						80	174	140											



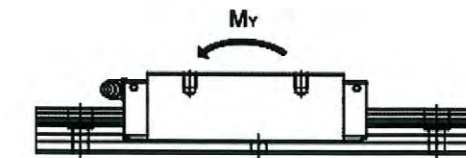
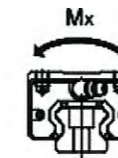
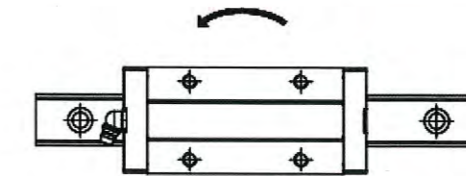
Model No.	Rating Load (kgf)		Static permissible moment of load					Weight	
	C	Co	Mx(kgf-mm)			Mz(kgf-mm)		Block (kg)	Rail (kg/m)
			Single Block	Single Block	Double Block	Single Block	Double Block		
TRS15VS	908	1471	10,957	6,420	33,531	6,420	33,531	0.07	1.32
TRS15VN	1206	2206	16,436	14,884	70,960	14,884	70,960	0.13	
TRS15VL	1343	2574	19,175	20,429	95,224	20,429	95,224	0.15	
TRS15VE	1560	3187	23,740	31,616	145,220	31,616	145,220	0.2	2.28
TRS20VS	1398	2140	21,615	10,700	59,798	10,700	59,798	0.11	
TRS20VN	1896	3307	33,404	26,459	126,998	26,459	126,998	0.18	
TRS20VE	1943	3002	34,826	18,725	97,890	18,725	97,890	0.18	3.17
TRS25VS	2581	4503	52,239	43,407	207,324	43,407	207,324	0.3	
TRS25VN	2697	3962	55,442	26,950	154,224	26,950	154,224	0.37	
TRS30VS	3807	6483	90,722	74,970	355,321	74,970	355,321	0.65	4.54
TRS30VN	4098	7203	100,803	93,100	438,966	93,100	438,966	0.74	
TRS30VE	4791	9004	126,003	147,000	677,068	147,000	677,068	0.97	
TRS35VS	3753	5401	92,349	42,896	235,304	42,896	235,304	0.57	6.27
TRS35VN	5090	8346	142,722	106,070	519,799	106,070	519,799	0.98	
TRS35VL	5502	9328	159,512	133,367	656,509	133,367	656,509	1.16	
TRS35VE	6667	12274	209,885	233,977	1,070,533	233,977	1,070,533	1.54	10.4
TRS45VN	6758	10887	248,758	158,011	782,271	158,011	782,271	1.71	
TRS45VL	7572	12808	292,657	220,751	1,030,183	220,751	1,030,183	1.99	
TRS45VE	8852	16010	365,821	348,554	1,598,703	348,554	1,598,703	2.64	



5) TRC-V

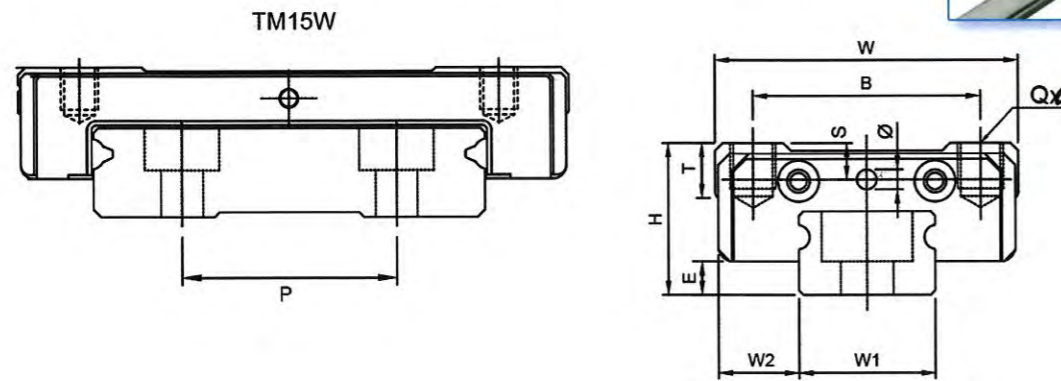


Model No.	Assembly(mm)			Block(mm)										Rail(mm)					
	H	W2	E	W	B	J	L	L1	QXℓ	T1	Oil Hole	N	W1	H1	φD	h	φd	F	
TRC25VL	36	12.5	5.8	48	35	35	92	71	M6X6.5	7.5	M6X1	14	23	20	11	9	7	60	
TRC25VE						50	109	88											

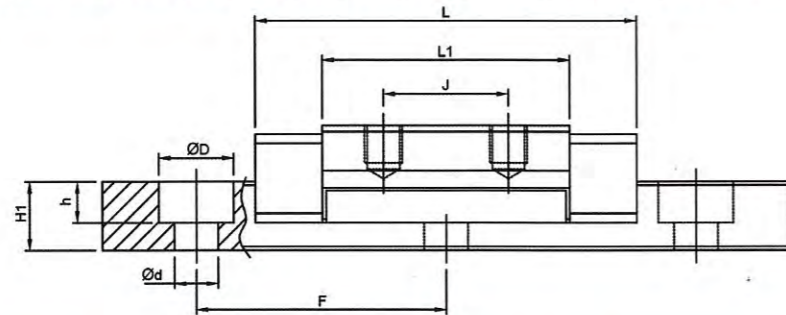


Model No.	Rating Load (kgf)		Static permissible moment of load						Weight	
	C	Co	Mx(kgf-mm)		My(kgf-mm)		Mz(kgf-mm)		Block (kg)	Rail (kg/m)
			Single Block	Double Block	Single Block	Double Block	Single Block	Double Block		
TRC25VL	2875	5254	60,945	59,579	277,678	59,579	277,678	0.44	3.17	
TRC25VE	3248	6255	72,554	85,112	391,311	85,112	391,311	0.55		

2) TM-W



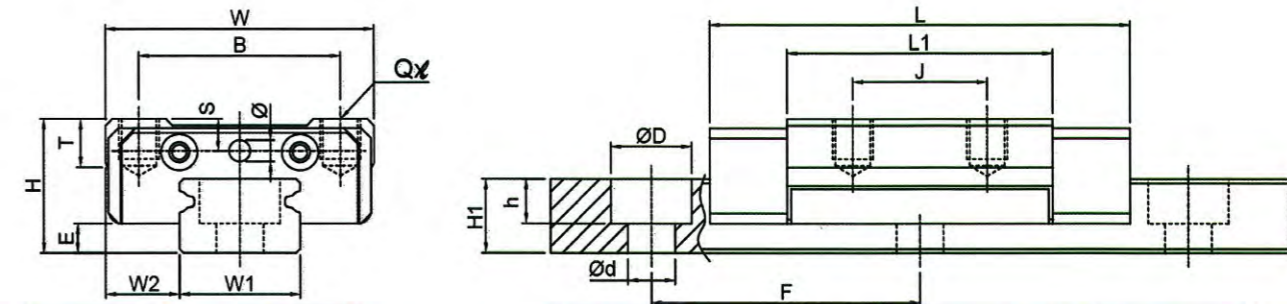
Model No.	Assembly(mm)			Block(mm)								Rail(mm)						
	H	W2	E	W	B	J	T	L	L1	Qx ℓ	Φ	W1	H1	ØD	h	Ød	F	P
TM09WN	12	6	3.4	30	23	12	4	39.1	26.7	M3x3	1.3	18	7.3	6	4.5	3.5	30	
TM09WL	12	6	3.4	30	23	24	4	50.7	38.3	M3x3	1.3	18	7.3	6	4.5	3.5	30	
TM12WN	14	8	3.9	40	28	15	4.5	44.4	29	M3x3.5	1.3	24	8.5	8	4.5	4.5	40	
TM12WL	14	8	3.9	40	28	28	4.5	59.4	44	M3x3.5	1.3	24	8.5	8	4.5	4.5	40	
TM15WN	16	9	4.1	60	45	20	4.8	55.3	38.5	M4x4.5	1.3	42	9.5	8	4.5	4.5	40	23
TM15WL	16	9	4.1	60	45	35	4.8	74.4	57.6	M4x4.5	1.3	42	9.5	8	4.5	4.5	40	23



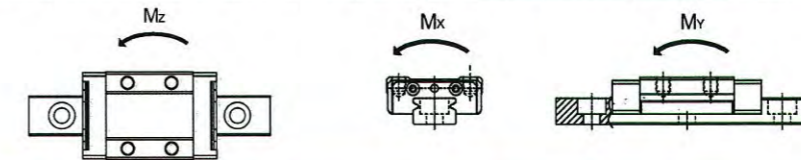
Model No.	Rating Load (kgf)		Static permissible moment of load					Weight		
	C	Co	Mx(kgf-mm)		My(kgf-mm)		Mz(kgf-mm)		Block (kg)	Rail (kg/m)
			Single Block	Double Block	Single Block	Double Block	Single Block	Double Block		
TM09WN	208	368	4,645	1,621	12,205	1,621	12,205	0.03	0.97	
TM09WL	260	509	7,123	3,905	23,411	3,905	23,411	0.043		
TM12WN	313	530	10,190	2,864	23,153	2,864	23,153	0.05	1.47	
TM12WL	415	796	15,748	7,083	46,164	7,083	46,164	0.076		
TM15WN	517	856	26,387	5,459	42,543	5,459	42,543	0.116	2.85	
TM15WL	686	1283	41,779	14,144	87,256	14,144	87,256	0.175		

\* TM-Miniature Series

1) TM-N



Model No.	Assembly(mm)			Block(mm)								Rail(mm)					
	H	W2	E	W	B	J	T	L	L1	Qx ℓ	Φ	W1	H1	ØD	h	Ød	F
TM07NN	8	5	1.5	17	12	8	2.25	23	12.3	M2x2	1.3	7	4.7	4.2	2.3	2.4	15
TM07NL	8	5	1.5	17	12	13	2.25	31	20.3	M2x2	1.3	7	4.7	4.2	2.3	2.4	15
TM09NN	10	5.5	2.2	20	15	10	3.62	30.5	19.8	M3x3	1.3	9	5.5	6	3.3	3.5	20
TM09NL	10	5.5	2.2	20	15	16	3.62	40.8	30.1	M3x3	1.3	9	5.5	6	3.3	3.5	20
TM12NN	13	7.5	3	27	20	15	4.54	35	20.6	M3x3.5	1.3	12	7.5	6	4.5	3.5	25
TM12NL	13	7.5	3	27	20	20	4.54	47.5	33.1	M3x3.5	1.3	12	7.5	6	4.5	3.5	25
TM15NN	16	8.5	4	32	25	20	5.86	43	27	M3x5	1.3	15	9.5	6	4.5	3.5	40
TM15NL	16	8.5	4	32	25	25	5.86	60	44	M3x5	1.3	15	9.5	6	4.5	3.5	40



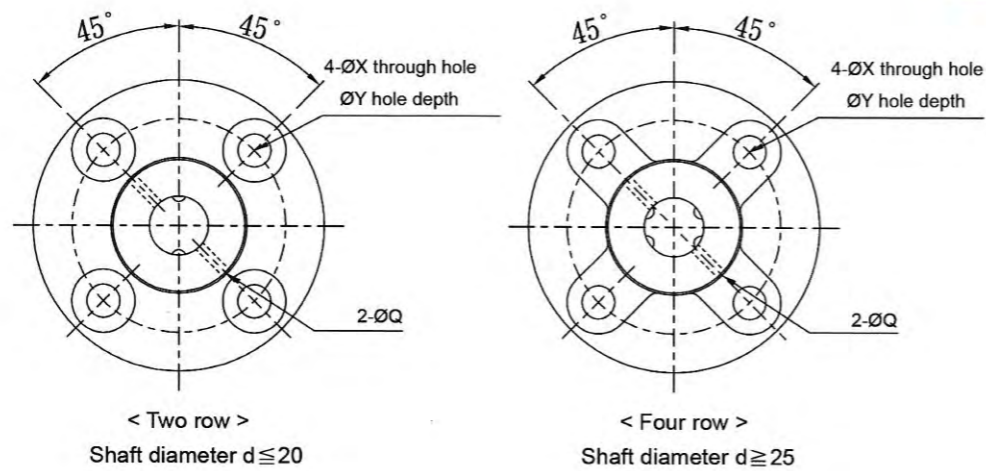
Model No.	Rating Load (kgf)		Static permissible moment of load					Weight		
	C	Co	Mx(kgf-mm)		My(kgf-mm)		Mz(kgf-mm)		Block (kg)	Rail (kg/m)
			Single Block	Double Block	Single Block	Double Block	Single Block	Double Block		
TM07NN	144	204	745	232	3,234	232	3,234	0.005	0.21	
TM07NL	220	374	1,367	849	7,261	849	7,261	0.009		
TM09NN	220	374	1,713	849	7,117	849	7,117	0.013	0.32	
TM09NL	299	579	2,648	2,099	14,174	2,099	14,174	0.020		
TM12NN	381	536	3,269	1,094	12,391	1,094	12,391	0.024	0.61	
TM12NL	555	919	5,604	3,437	26,857	3,437	26,857	0.039		
TM15NN	581	834	6,336	2,316	23,096	2,316	23,096	0.048	1	
TM15NL	860	1,459	11,088	7,527	52,908	7,527	52,908	0.080		



## Ball Splain

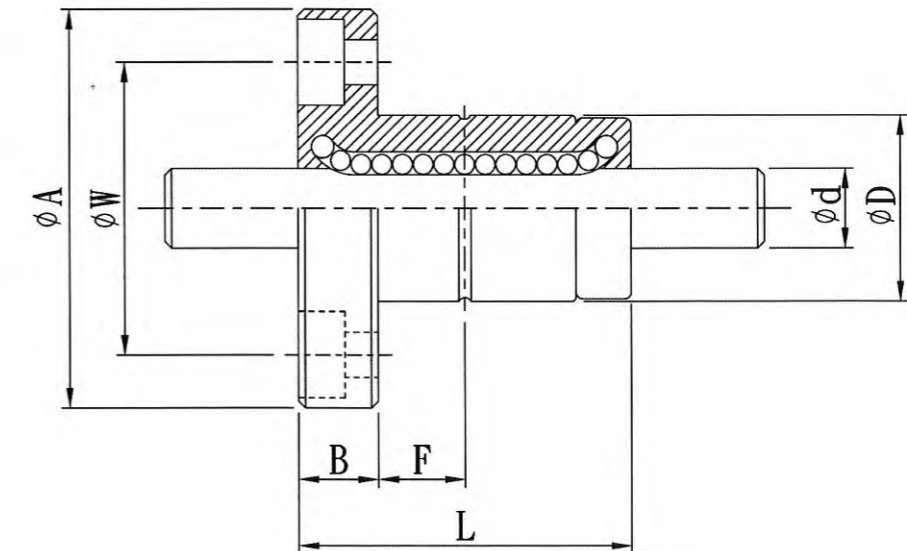
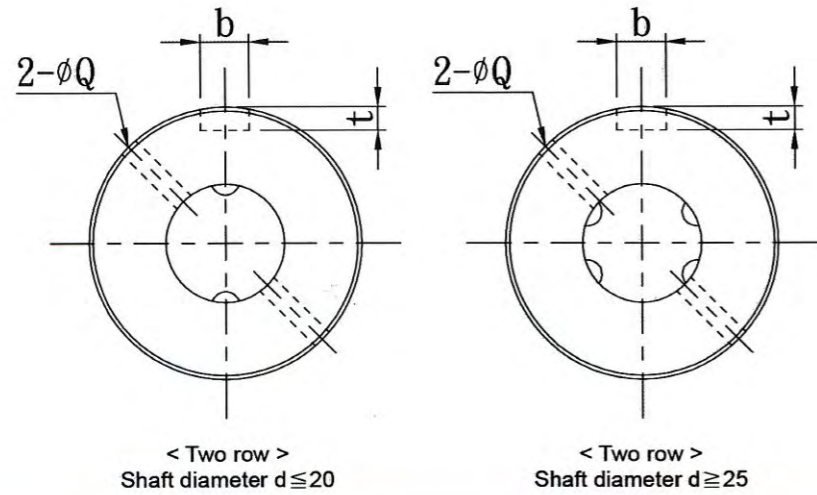
### \* ASIA-TYPE

#### 1) SLF



Nominal Diameter	Groove depth	Row	Spline Nuts							
	d		D	L	A	B	F	Oil	W	Mouning hole
	h7		Q	X · Y · Z						
SLF6	6	2	14	25	30	6	7.5	1	22	3.4 · 6.5 · 4.5
SLF8	8	2	16	27	32	8	7.5	1.5	24	3.4 · 6.5 · 4.5
SLF10	10	2	21	33	42	9	10.5	1.5	32	4.5 · 8 · 4
SLF13	13	2	24	36	44	9	11	1.5	33	4.5 · 8 · 4.5
SLF16	16	2	31	50	51	10	18	2	40	4.5 · 8 · 6
SLF20	20	2	35	56	58	10	18	2	45	5.5 · 9.5 · 5.4
SLF25	25	4	42	71	65	13	26.5	3	52	5.5 · 9.5 · 8
SLF30	30	4	47	80	75	13	30	3	60	6.6 · 11 · 8
SLF40	40	4	64	100	100	18	36	4	82	9 · 14 · 12
SLF50	50	4	80	125	124	20	46.5	4	102	11 · 17.5 · 12

2) SLT

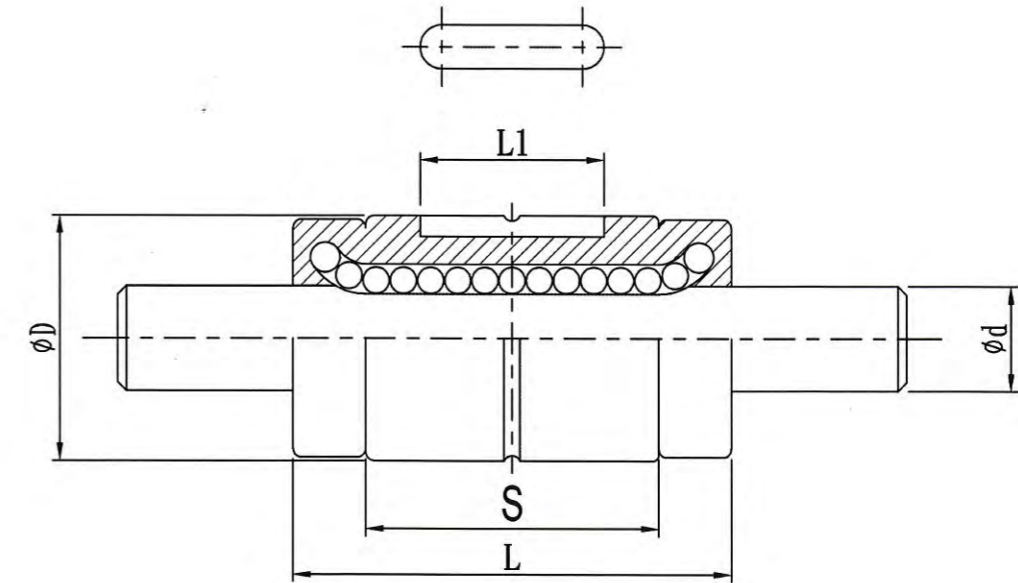


Nominal Diameter	Groove depth		Spline Nuts					Keyway Dimensions	
	d	Row	D	L	S	L1	Oil	b	t
	h7						Q		
SLT6	6	2	14	25	16.7	10.5	1	2.5	1.2
SLT8	8	2	16	27	15.7	10.5	1.5	2.5	1.2
SLT10	10	2	21	33	20	13	1.5	3	1.5
SLT13	13	2	24	36	23	15	1.5	3	1.5
SLT16	16	2	31	50	34	17.5	2	3.5	2
SLT20	20	2	35	56	39.7	29	2	4	2.5
SLT25	25	4	42	71	50.3	36	3	4	2.5
SLT30	30	4	47	80	60	42	3	4	2.5
SLT40	40	4	64	100	70	52	4	6	3.5
SLT50	50	4	80	125	91	58	4	8	4

Nominal Diameter	Basic Rating Load		Basic torsional		Diameter		Mass	
	C	C0	CT	C0T	MA1	MA2	Spline Nut	Spline Shaft
	kgf	kgf	kgf · m	kgf · m	kgf · m	kgf · m	g	kg/m
SLF6	137	225	0.46	0.76	0.39	3.48	36.7	0.22
SLF8	137	225	0.60	0.99	0.39	3.82	47	0.39
SLF10	285	397	1.62	2.25	0.95	8.53	100	0.60
SLF13	396	540	2.89	3.94	1.50	12.46	117	1.03
SLF16	545	849	4.77	7.43	3.71	26.09	226	1.56
SLF20	724	1109	7.90	12.09	5.53	38.00	303	2.44
SLF25	1003	1593	21.99	43.01	10.35	68.59	458	3.80
SLF30	1160	1980	30.26	62.93	15.68	93.27	633	5.49
SLF40	2972	4033	105.37	176.05	36.59	246.34	1430	9.69
SLF50	4086	5615	179.89	304.35	51.58	428.72	2756	15.19



**Ball Screw**



Nominal Diameter	Basic Rating Load		Basic torsional		Diameter		Mass	
	C	C0	CT	C0T	MA1	MA2	Spline Nut	Spline Shaft
	kgf	kgf	kgf · m	kgf · m	kgf · m	kgf · m	g	kg/m
SLT6	137	225	0.46	0.76	0.39	3.48	14	0.22
SLT8	137	225	0.60	0.99	0.39	3.82	16	0.39
SLT10	285	397	1.62	2.25	0.95	8.53	37	0.60
SLT13	396	540	2.89	3.94	1.50	12.46	52	1.03
SLT16	545	849	4.77	7.43	3.71	26.09	130	1.56
SLT20	724	1109	7.90	12.09	5.53	38.00	188	2.44
SLT25	1003	1593	21.99	43.01	10.35	68.59	285	3.80
SLT30	1160	1960	30.26	62.93	15.68	93.27	395	5.49
SLT40	2972	4033	105.37	176.05	36.59	264.34	843	9.69
SLT50	4086	5615	179.89	304.35	51.58	428.72	1758	15.19

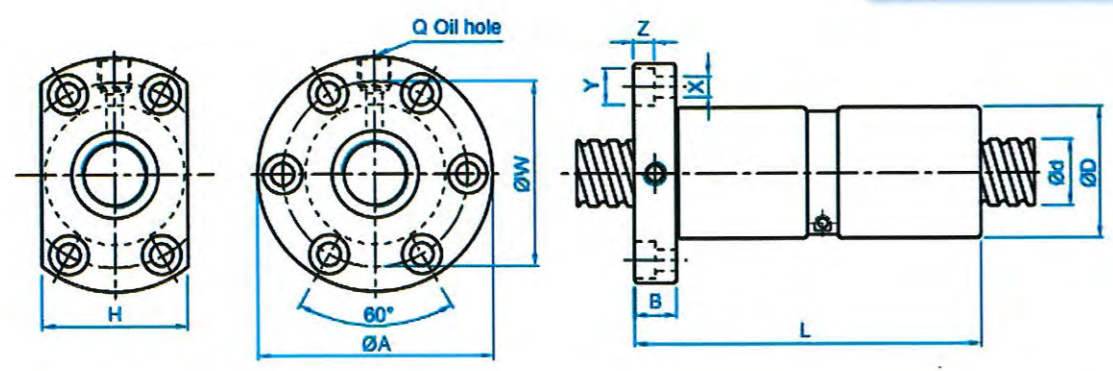
**\* EU-TYPE**



# Ball Screw

## \* Internal Return Series

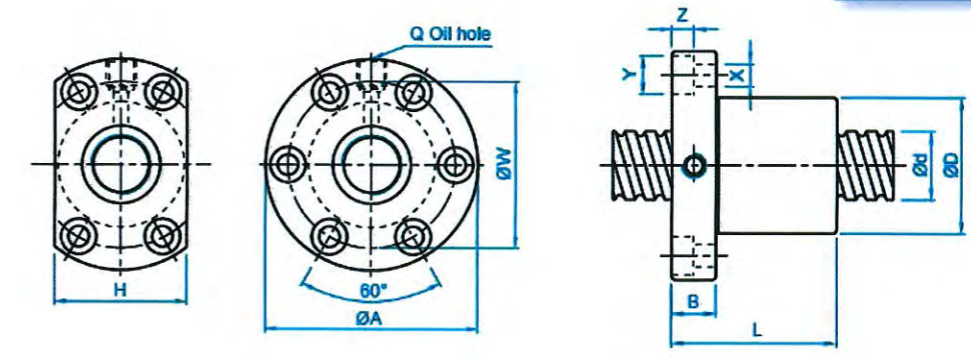
### 2) DFI



Unit:mm

Model No.	d	l	Da	Dimension											Load (Kgf)		K
				D	A	B	L	W	H	X	Y	Z	Q	n	Ca	Coa	
△ DFI01604-4	16	4	2.381	30	49	10	80	39	34	4.5	8	4.5	M6	1x4	973	2406	44
△ DFI01605-4		5	3.175	30	49	10	100	39	34	4.5	8	4.5	M6	1x4	1380	3052	44
△ DFI02004-4	20	4	2.381	34	57	11	80	45	40	5.5	9.5	5.5	M6	1x4	1066	2987	51
★ DFI02005-4		5	3.175	34	57	11	101	45	40	5.5	9.5	5.5	M6	1x4	1551	3875	52
△ DFI02504-4	25	4	2.381	40	63	11	80	51	46	5.5	9.5	5.5	M6	1x4	1180	3795	60
★ DFI02505-4		5	3.175	40	63	11	101	51	46	5.5	9.5	5.5	M8	1x4	1724	4094	62
△ DFI02510-4	10	4.762	46	72	12	145	58	52	6.5	11	6.5	M6	1x4	2954	7295	68	
△ DFI03204-4	32	4	2.381	46	72	12	80	58	52	6.5	11	6.5	M6	1x4	1296	4838	69
★ DFI03205-4		5	3.175	46	72	12	102	58	52	6.5	11	6.5	M8	1x4	1922	6343	72
★ DFI03210-4	10	6.35	54	88	15	162	70	62	9	14	8.5	M8	1x4	4805	12208	83	
★ DFI04005-4	40	5	3.175	56	90	15	105	72	64	9	14	8.5	M8	1x4	2110	7988	84
★ DFI04010-4		10	6.35	62	104	18	165	82	70	11	17.5	11	M8	1x4	5399	15500	99
★ DFI05010-4	50	10	6.35	72	114	18	171	92	82	11	17.5	11	M8	1x4	6004	19614	115
○ DFI06310-4	63	10	6.35	85	131	22	182	107	95	14	20	13	M8	1x4	6719	25358	135
△ DFI08010-4	80	10	6.35	105	150	22	182	127	115	14	20	13	M8	1x4	7346	31953	156

### 1) SFI



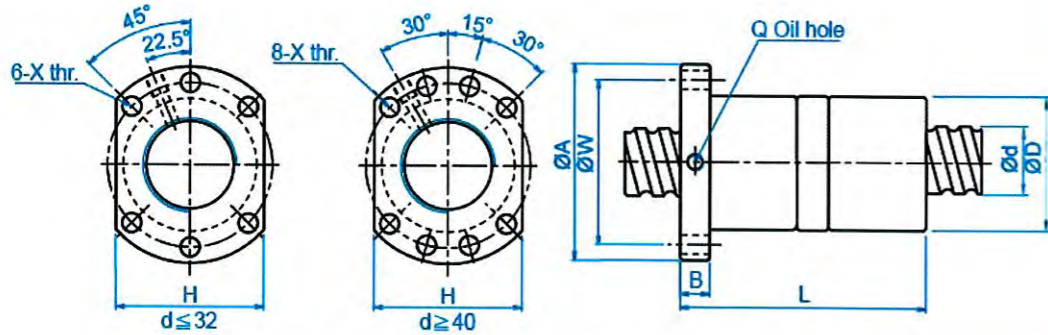
Unit:mm

Model No.	d	l	Da	Dimension											Load (Kgf)		K
				D	A	B	L	W	H	X	Y	Z	Q	n	Ca	Coa	
△ SFI01604-4	16	4	2.381	30	49	10	45	39	34	4.5	8	4.5	M6	1x4	973	2406	32
★ SFI01605-4		5	3.175	30	49	10	50	39	34	4.5	8	4.5	M6	1x4	1380	3052	33
○ SFI01610-3		10	3.175	34	58	10	57	45	34	5.5	9.5	5.5	M6	1x3	1103	2401	27
△ SFI02004-4	20	4	2.381	34	57	11	46	45	40	5.5	9.5	5.5	M6	1x4	1066	2987	37
★ SFI02005-4		5	3.175	34	57	11	51	45	40	5.5	9.5	5.5	M6	1x4	1551	3875	39
○ SFI0205T-4	5.08	3.175	34	57	11	51	45	40	5.5	9.5	5.5	M6	1x4	1550	3875	39	
○ SFI02504-4	25	4	2.381	40	63	11	46	51	46	5.5	9.5	5.5	M6	1x4	1180	3795	43
★ SFI02505-4		5	3.175	40	63	11	51	51	46	5.5	9.5	5.5	M8	1x4	1724	4904	45
△ SFI02510-4	10	4.762	46	72	12	85	58	52	6.5	11	6.5	M6	1x4	2954	7295	51	
△ SFI03204-4	32	4	2.381	46	72	12	47	58	52	6.5	11	6.5	M6	1x4	1296	4838	49
★ SFI03205-4		5	3.175	46	72	12	52	58	52	6.5	11	6.5	M8	1x4	1922	6343	52
★ SFI03210-4	10	6.35	54	88	15	90	70	62	9	14	8.5	M8	1x4	4805	12208	62	
★ SFI04005-4	40	5	3.175	56	90	15	55	72	64	9	14	8.5	M8	1x4	2110	7988	59
★ SFI04010-4		10	6.35	62	104	18	93	82	70	11	17.5	11	M8	1x4	5399	15500	72
★ SFI05010-4	50	10	6.35	72	114	18	93	92	82	11	17.5	11	M8	1x4	6004	19614	83
○ SFI06310-4	63	10	6.35	85	131	22	98	107	95	14	20	13	M8	1x4	6719	25358	95
△ SFI08010-4	80	10	6.35	105	150	22	98	127	115	14	20	13	M8	1x4	7346	31953	109

**TBI MOTION**  
MADE IN TAIWAN

4) DFU

SFU(DIN 69051 FORM B) Series Dimension Table



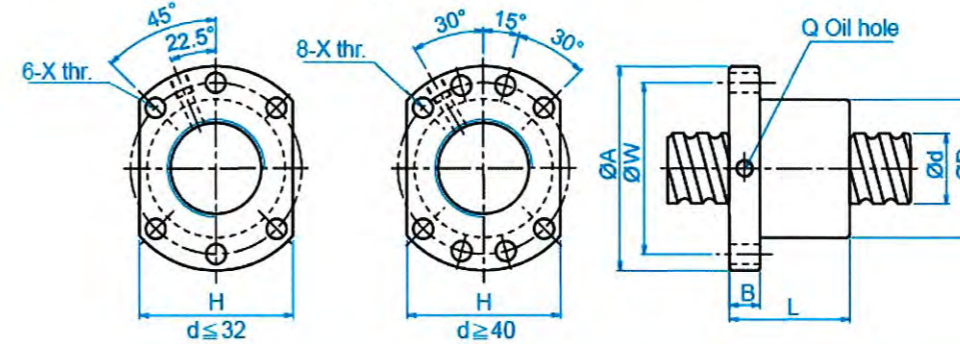
Unit:mm

Model No.	d	l	Da	Dimension										Load (Kgf)		K
				D	A	B	L	W	H	X	Q	n	Ca	Coa		
△ DFU01604-4	16	4	2.381	28	48	10	80	38	40	5.5	M6	1x4	973	2406	43	
☆ DFU01605-4		5	3.175	28	48	10	100	38	40	5.5	M6	1x4	1380	3052	44	
☆ DFU01610-3		10	3.175	28	48	10	118	38	40	5.5	M6	1x3	1103	2401	35	
△ DFU02004-4	20	4	2.381	36	58	10	80	47	44	6.6	M6	1x4	1066	2987	51	
☆ DFU02005-4		5	3.175	36	58	10	101	47	44	6.6	M6	1x4	1551	3875	53	
△ DFU02504-4		4	2.381	40	62	10	80	51	48	6.6	M6	1x4	1180	3795	60	
☆ DFU02505-4	25	5	3.175	40	62	10	101	51	48	6.6	M6	1x4	1724	4904	62	
■ DFU02506-4		6	3.969	40	62	10	105	51	48	6.6	M6	1x4	2318	6057	64	
■ DFU02508-4		8	4.762	40	62	10	120	51	48	6.6	M6	1x4	2963	7313	67	
○ DFU02510-4	32	10	4.762	40	62	12	145	51	48	6.6	M6	1x4	2954	7295	67	
△ DFU03204-4		4	2.381	50	80	12	80	65	62	9	M6	1x4	1296	4838	71	
☆ DFU03205-4		5	3.175	50	80	12	102	65	62	9	M6	1x4	1922	6343	74	
■ DFU03206-4	40	6	3.969	50	80	12	105	65	62	9	M6	1x4	2632	7979	78	
■ DFU03208-4		8	4.762	50	80	12	122	65	62	9	M6	1x4	3387	9622	82	
☆ DFU03210-4		10	6.35	50	80	12	162	65	62	9	M6	1x4	4805	12208	82	
☆ DFU04005-4	50	5	3.175	63	93	14	105	78	70	9	M8	1x4	2110	7988	87	
■ DFU04006-4		6	3.969	63	93	14	108	78	70	9	M6	1x4	2873	9913	91	
■ DFU04008-4		8	4.762	63	93	14	132	78	70	9	M6	1x4	3712	11947	96	
☆ DFU04010-4	63	10	6.35	63	93	14	165	78	70	9	M8	1x4	5399	15500	99	
☆ DFU05010-4		10	6.35	75	110	16	171	93	85	11	M8	1x4	6004	19614	117	
△ DFU05020-4		20	7.144	75	110	16	280	93	85	11	M8	1x4	7142	22588	126	
○ DFU06310-4	80	10	6.35	90	125	18	182	108	95	11	M8	1x4	6719	25358	139	
△ DFU06320-4		20	9.525	95	135	20	290	115	100	13.5	M8	1x4	11444	36653	152	
△ DFU08010-4		10	6.35	105	145	20	182	125	110	13.5	M8	1x4	7346	31953	156	
△ DFU08020-4	100	20	9.525	125	165	25	295	145	130	13.5	M8	1x4	12911	47747	187	
■ DFU10020-4		20	9.525	150	202	30	340	170	155	17.5	M8	1x4	14303	60698	222	

**TBI MOTION**  
MADE IN TAIWAN

3) SFU

DFU(DIN 69051 FORM B) Series Dimension Table



Unit:mm

Model No.	d	l	Da	Dimension										Load (Kgf)		K
				D	A	B	L	W	H	X	Q	n	Ca	Coa		
△ SFU01204-4	12	4	2.5	24	40	10	40	32	30	4.5		1x4	902	1884	26	
☆ SFU01604-4		4	2.381	28	48	10	40	38	40	5.5	M6	1x4	973	2406	32	
☆ SFU01605-4		5	3.175	28	48	10	50	38	40	5.5	M6	1x4	1380	3052	32	
☆ SFU01610-3	16	10	3.175	28	48	10	57	38	40	5.5	M6	1x3	1103	2401	26	
△ SFU02004-4		4	2.381	36	58	10	42	47	44	6.6	M6	1x4	1066	2987	38	
☆ SFU02005-4		5	3.175	36	58	10	51	47	44	6.6	M6	1x4	1551	3875	39	
△ SFU02504-4	20	4	2.381	40	62	10	42	51	48	6.6	M6	1x4	1180	3795	43	
☆ SFU02505-4		5	3.175	40	62	10	51	51	48	6.6	M6	1x4	1724	4904	45	
■ SFU02506-4		6	3.969	40	62	10	54	51	48	6.6	M6	1x4	2318	6057	47	
■ SFU02508-4	25	8	4.762	40	62	10	63	51	48	6.6	M6	1x4	2963	7313	49	
○ SFU02510-4		10	4.762	40	62	12	85	51	48	6.6	M6	1x4	2954	7295	50	
△ SFU03204-4		32	4	2.381	50	80	12	44	65	62	9	M6	1x4	1296	4838	51
☆ SFU03205-4	5		3.175	50	80	12	52	65	62	9	M6	1x4	1922	6343	54	
■ SFU03206-4	6		3.969	50	80	12	57	65	62	9	M6	1x4	2632	7979	57	
■ SFU03208-4	40	8	4.762	50	80	12	65	65	62	9	M6	1x4	3387	9622	60	
☆ SFU03210-4		10	6.35	50	80	12	90	65	62	9	M6	1x4	4805	12208	61	
☆ SFU04005-4		50	5	3.175	63	93	14	55	78	70	9	M8	1x4	2110	7988	63
■ SFU04006-4	6		3.969	63	93	14	60	78	70	9	M6	1x4	2873	9913	66	
■ SFU04008-4	8		4.762	63	93	14	67	78	70	9	M6	1x4	3712	11947	70	
☆ SFU04010-4	63	10	6.35	63	93	14	93	78	70	9	M8	1x4	5399	15500	73	
☆ SFU05010-4		10	6.35	75	110	16	93	93	85	11	M8	1x4	6004	19614	85	
△ SFU05020-4		20	7.144	75	110	16	138	93	85	11	M8	1x4	7142	22588	94	
○ SFU06310-4	80	10	6.35	90	125	18	98	108	95	11	M8	1x4	6719	25358	99	
△ SFU06320-4		20	9.525	95	135	20	149	115	100	13.5	M8	1x4	11444	36653	112	
△ SFU08010-4		10	6.35	105	145	20	98	125	110	13.5	M8	1x4	7346	31953	109	
△ SFU08020-4	100	20	9.525	125	165	25	154	145	130	13.5	M8	1x4	12911	47747	138	
■ SFU10020-4		20	9.525	150	202	30	180	170	155	17.5	M8	1x4	14303	60698	162	

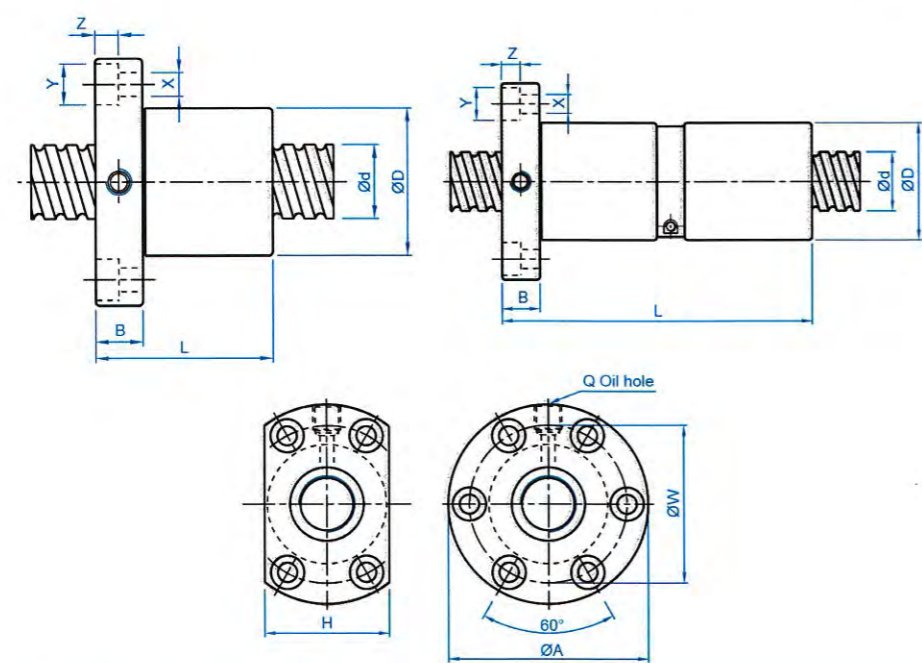
**TBI TBI MOTION**  
MADE IN TAIWAN

6) DFM



SFM Series Dimension Table  
(Use for Milling Machine Only)

DFM Series Dimension Table  
(Use for Milling Machine Only)



Unit:mm

Model No.	d	l	Da	Dimension											Load (Kgf)		K
				D	A	B	L	W	H	X	Y	Z	Q	n	Ca	Coa	
★ SFM03205-4	32	5	3.175	48	74	12	52	60	52	6.5	11	6.5	M8	1x4	1922	6343	53
★ SFM0325T-4	32	5.08	3.175	48	74	12	53	60	52	6.5	11	6.5	M8	1x4	1922	6343	53
★ DFM03205-4	32	5	3.175	48	74	12	102	60	52	6.5	11	6.5	M8	1x4	1922	6343	73
★ DFM0325T-4	32	5.08	3.175	48	74	12	104	60	52	6.5	11	6.5	M8	1x4	1922	6343	73

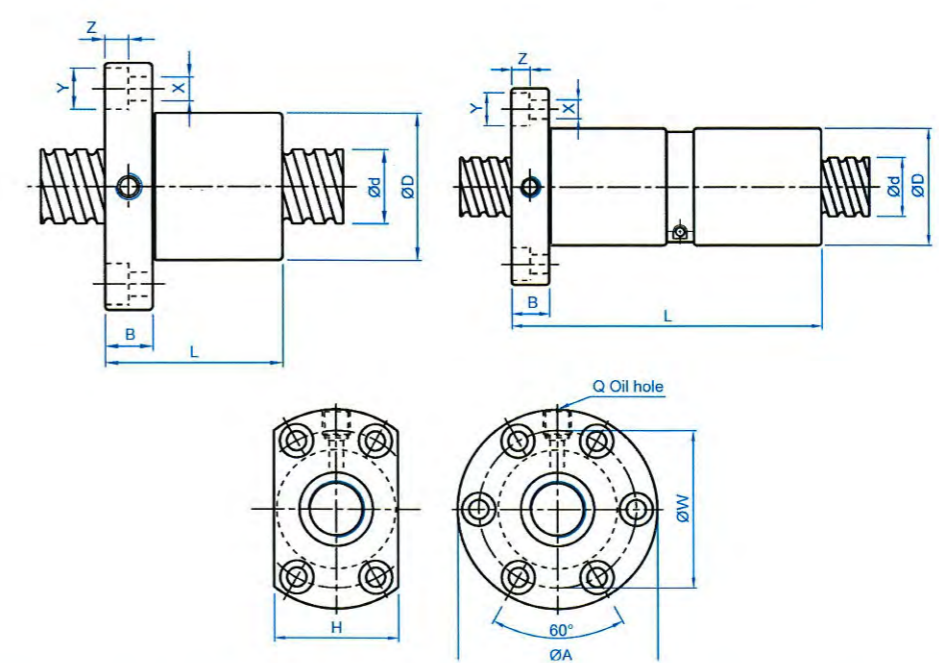
**TBI TBI MOTION**  
MADE IN TAIWAN

5) SFM



SFM Series Dimension Table  
(Use for Milling Machine Only)

DFM Series Dimension Table  
(Use for Milling Machine Only)



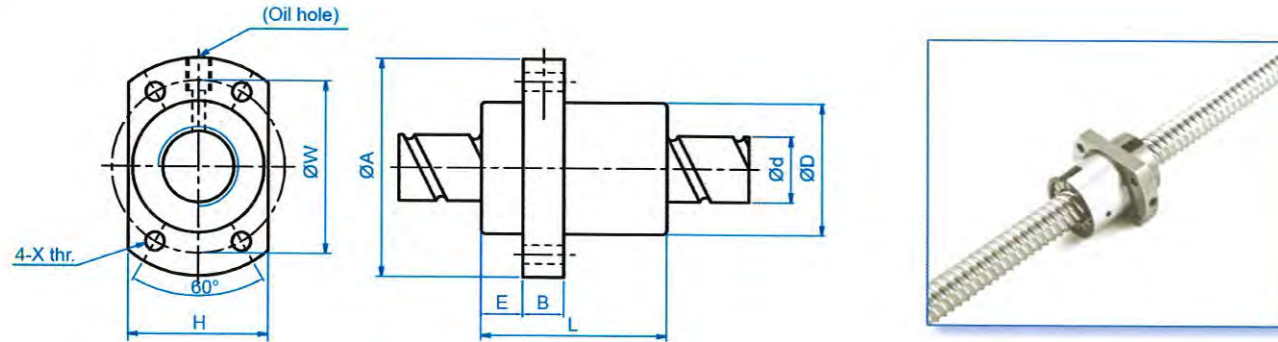
Unit:mm

Model No.	d	l	Da	Dimension											Load (Kgf)		K
				D	A	B	L	W	H	X	Y	Z	Q	n	Ca	Coa	
★ SFM03205-4	32	5	3.175	48	74	12	52	60	52	6.5	11	6.5	M8	1x4	1922	6343	53
★ SFM0325T-4	32	5.08	3.175	48	74	12	53	60	52	6.5	11	6.5	M8	1x4	1922	6343	53
★ DFM03205-4	32	5	3.175	48	74	12	102	60	52	6.5	11	6.5	M8	1x4	1922	6343	73
★ DFM0325T-4	32	5.08	3.175	48	74	12	104	60	52	6.5	11	6.5	M8	1x4	1922	6343	73





2) SFY



\* End Cap Return Series

1) SFE



Unit:mm

Model No.	d	l	Da	Dimension											Load (Kgf)		K
				D	A	E	B	L	W	H	X	Q	n	Ca	Coa		
△ SFY01616-3.6	16	16	2.778	32	53	10.1	10	45	42	34	4.5	M6	1.8x2	1073	2551	31	
△ SFY01616-5.6	16	16	2.778	32	53	10.1	10	61	42	34	4.5	M6	2.8x2	1568	3968	47	
△ SFY02020-3.6	20	20	3.175	39	62	13	10	52	50	41	5.5	M6	1.8x2	1387	3515	37	
△ SFY02020-5.6	20	20	3.175	39	62	13	10	72	50	41	5.5	M6	2.8x2	2029	5468	56	
△ SFY02525-3.6	25	25	3.969	47	74	15	12	64	60	49	6.6	M6	1.8x2	2074	5494	45	
△ SFY02525-5.6	25	25	3.969	47	74	15	12	89	60	49	6.6	M6	2.8x2	3032	8546	69	
△ SFY03232-3.6	32	32	4.762	58	92	17	12	78	74	60	9	M6	1.8x2	3021	8690	58	
△ SFY03232-5.6	32	32	4.762	58	92	17	12	110	74	60	9	M6	2.8x2	4417	13517	88	
△ SFY04040-3.6	40	40	6.35	73	114	19.5	15	99	93	75	11	M6	1.8x2	4831	14062	70	
△ SFY04040-5.6	40	40	6.35	73	114	19.5	15	139	93	75	11	M6	2.8x2	7065	21874	106	
△ SFY05050-3.6	50	50	7.938	90	135	21.5	20	117	112	92	14	M6	1.8x2	7220	21974	86	
△ SFY05050-5.6	50	50	7.938	90	135	21.5	20	167	112	92	14	M6	2.8x2	10558	34182	131	
Model No.	Double Lead											Load (Kgf)		K			
	d	l	Da	D	A	E	B	L	W	H	X	Q	n		Ca	Coa	
△ SFY01632-1.6	16	32	2.778	32	53	10.1	10	42.5	42	34	4.5	M6	0.8x2	493	1116	11	
△ SFY01632-3.6	16	32	2.778	32	53	10.1	10	74.5	42	34	4.5	M6	1.8x2	989	2511	23	
△ SFY02040-1.6	20	40	3.175	39	62	13	10	48	50	41	5.5	M6	0.8x2	653	1597	15	
△ SFY02040-3.6	20	40	3.175	39	62	13	10	88	50	41	5.5	M6	1.8x2	1311	3592	30	
△ SFY02550-1.6	25	50	3.969	47	74	15	12	58	60	49	6.6	M6	0.8x2	976	2495	19	
△ SFY02550-3.6	25	50	3.969	47	74	15	12	108	60	49	6.6	M6	1.8x2	1960	5614	32	
△ SFY03264-1.6	32	64	4.762	58	92	17	12	71	74	60	9	M6	0.8x2	1374	3571	22	
△ SFY03264-3.6	32	64	4.762	58	92	17	12	135	74	60	9	M6	1.8x2	2759	8441	46	
△ SFY04080-1.6	40	80	6.35	73	114	19.5	15	90	93	75	11	M6	0.8x2	2273	6387	29	
△ SFY04080-3.6	40	80	6.35	73	114	19.5	15	170	93	75	11	M6	1.8x2	4566	14370	50	
△ SFY050100-1.6	50	100	7.938	90	135	21.5	20	111	112	92	14	M6	0.8x2	3398	9980	35	
△ SFY050100-3.6	50	100	7.938	90	135	21.5	20	211	112	92	14	M6	1.8x2	6824	22455	72	

Unit:mm

Model No.	d	l	Da	Dimension											Load (Kgf)		K
				D	A	E	B	L	W	H	X	Q	n	Ca	Coa		
△ SFE01616-3	16	16	2.778	32	53	10.1	10	38	42	34	4.5	M6	1.7x2	1021	2409	29	
△ SFE01632-3	16	32	2.778	34	55	10.5	10	34	45	36	5.5	M6	0.7x2	439	976	11	
△ SFE02020-3	20	20	3.175	39	62	12	10	47	50	41	5.5	M6	1.7x2	1321	3320	35	
△ SFE02040-3	20	40	3.175	38	58	11	10	41	48	40	5.5	M6	0.7x2	582	1397	13	
△ SFE02525-3	25	25	3.969	47	74	14	12	57	60	49	6.6	M6	1.7x2	1974	5188	43	
△ SFE02550-3	25	50	3.969	46	70	13	12	50	58	48	6.6	M6	0.7x2	870	2183	16	
△ SFE03232-3	32	32	4.762	58	92	17	12	71	74	60	9	M6	1.7x2	2876	8207	54	
△ SFE03264-3	32	64	4.762	58	92	15.5	12	62	74	60	9	M6	0.7x2	1225	3282	20	
△ SFE04040-3	40	40	6.35	73	114	19.5	15	89	93	75	11	M6	1.7x2	4600	13281	66	
△ SFE05050-3	50	50	7.938	90	135	21.5	20	107	112	92	14	M6	1.7x2	6512	19430	80	

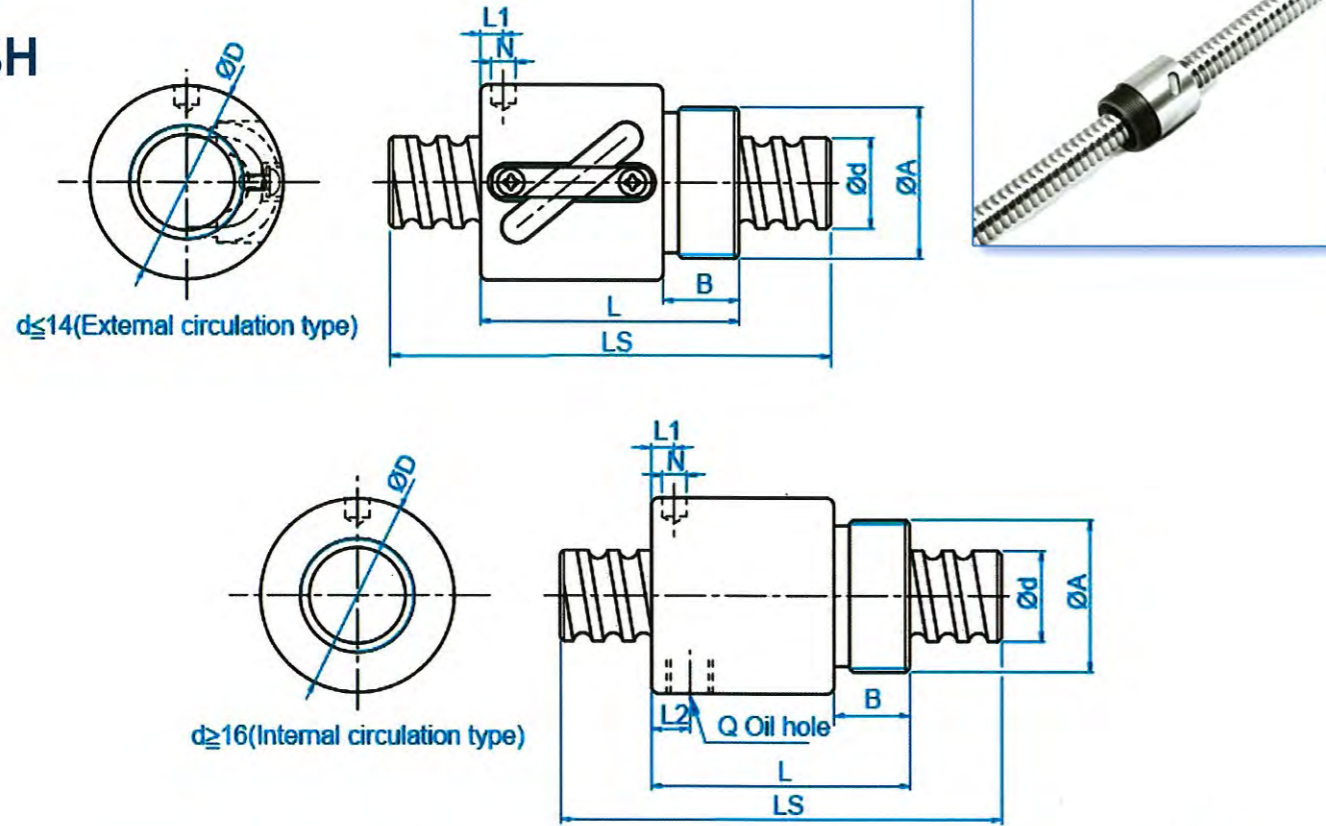
Note: TBI MOTION Standard nuts are without seals, if requires, please advise  
 ※Recommended to use the new SFY type※





\*Cylindrical Series

1) BSH



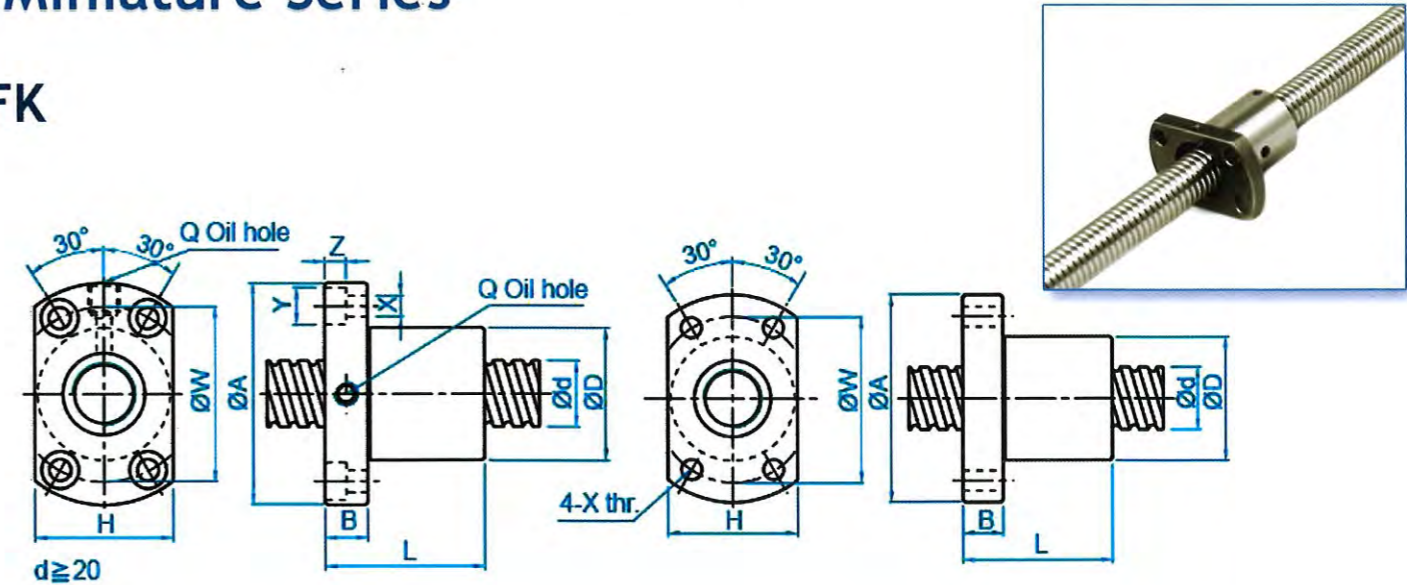
Unit:mm

Model No.	d	l	Da	Dimension									Load (Kgf)		K
				D	A	B	L	L1	N	L2	Q	n	Ca	Coa	
△ BSHR0082.5-2.5	8	2.5	1.2	17.5	M15x1P	7.5	23.5	10	3	-	-	2.5x1	189	381	11
△ BSHR01002-3.5	10	2	1.2	19.5	M17x1P	7.5	22	3	3.2	-	-	3.5x1	277	664	17
△ BSHR01004-2.5		4	2	25	M20x1P	10	34	3	3	-	-	2.5x1	400	754	14
△ BSHR01204-3.5	12	4	2.5	25.5	M20x1P	10	34	13	3	-	-	3.5x1	804	1649	23
△ BSHR01205-3.5		5	2.5	25.5	M20x1P	10	39	16.25	3	-	-	3.5x1	801	1644	24
■ BSHR01404-3.5	14	4	2.381	32.1	M25x1.5P	10	35	13	3	-	-	3.5x1	804	1803	26
△ BSHR01604-3	16	4	2.381	29	M22x1.5P	8	32	4	3.2	-	-	1x3	759	1804	24
△ BSHR01605-3		5	3.175	32.5	M26x1.5P	12	42	19.25	3	-	-	1x3	1077	2289	25
△ BSHR02005-3	20	5	3.175	38	M35x1.5P	15	45	20.3	3	-	-	1x3	1211	2906	30
△ BSHR02505-4	25	5	3.175	43	M40x1.5P	19	69	32.11	3	8	M6	1x4	1724	4904	37

Note: Nuts do not attach seals from Ø8~Ø16.

\*Miniature Series

SFK



Unit:mm

Model No.	d	l	Da	Dimension											Load (Kgf)		K
				D	A	B	L	W	H	X	Y	Z	Q	n	Ca	Coa	
■ SFK00401	4	1	0.8	10	20	3	12	15	14	2.9	-	-	-	1x2	64	97	5
△ SFK00601	6	1	0.8	12	24	3.5	15	18	16	3.4	-	-	-	1x3	111	224	9
○ SFK00801	8	1	0.8	14	27	4	16	21	18	3.4	-	-	-	1x4	161	403	14
○ SFK00802		2	1.2	14	27	4	16	21	18	3.4	-	-	-	1x3	222	458	13
△ SFK0082.5	2.5	1.2	16	29	4	26	23	20	3.4	-	-	-	1x3	221	457	13	
○ SFK01002	10	2	1.2	18	35	5	28	27	22	4.5	-	-	-	1x3	243	569	15
△ SFK01004		4	2	26	46	10	34	36	28	4.5	8	4.5	M6	1x3	468	905	17
○ SFK01202	12	2	1.2	20	37	5	28	29	24	4.5	-	-	-	1x4	334	906	22
○ SFK01402	14	2	1.2	21	40	6	23	31	26	5.5	-	-	-	1x4	354	1053	24
■ SFK01602	16	2	1.2	25	43	10	40	35	29	5.5	-	-	M6	1x4	373	1200	26
■ SFK02002	20	2	1.2	50	80	15	55	65	68	6.5	10.5	6	M6	1x6	581	2284	48
■ SFK02502	25	2	1.2	50	80	13	43	65	68	6.5	10.5	6	M6	1x5	540	2381	46

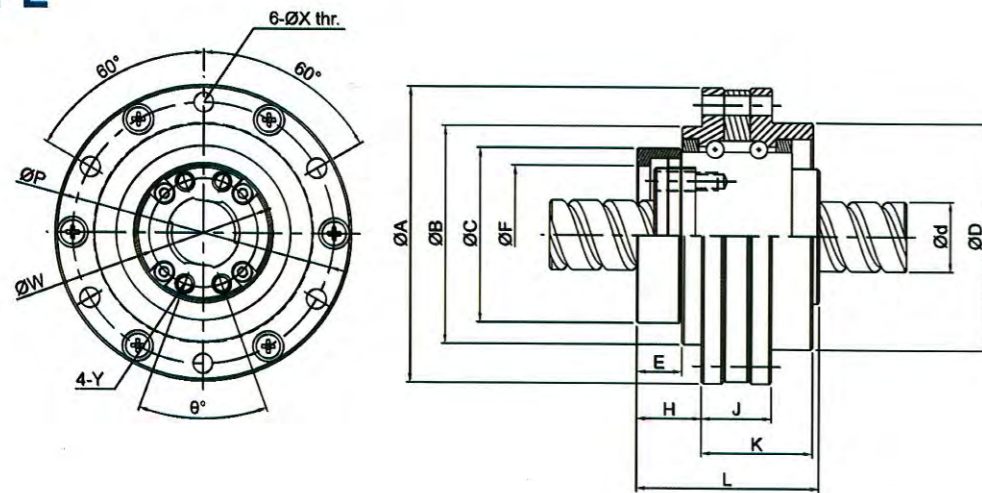
Unit:mm

Model No.	d	l	Da	Dimension											Load (Kgf)		K
				D	A	B	L	W	H	X	Y	Z	Q	n	Ca	Coa	
△ XSUR01204T3D-02	12	4	25	24	40	6	28	32	25	35	-	-	-	1x3	454	722	-
△ XSUR01205T3D-00		5		22	37	8	39	29	24	45	-	-	-	1x3	675	1316	17

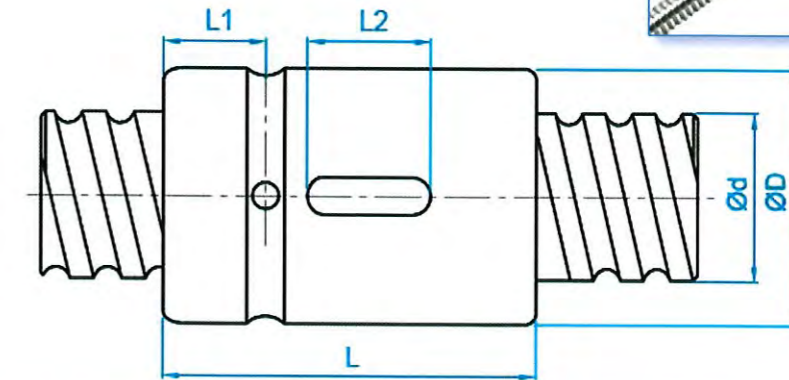
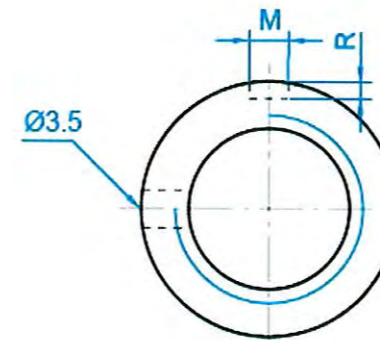


\* Rotary Series

RFE



2) SCI



Unit:mm

Model No.	Screw shaft outer diameter	Thread minor diameter	Ball dia	Rows x Turns	Support bearing basic load rating		Ball screw dimension													Basic load rating			
					Ca (kgf)	Coa (kgf)	D	A	B	L	C	F	E	H	J	K	P	X	W	Y	θ	Ca (kgf)	Coa (kgf)
RFE01616	16	16	2.778	1.7x2	605	1142	52 <sup>0</sup> <sub>-0.007</sub>	68	50	41.9	40 <sup>0</sup> <sub>-0.025</sub>	32 <sup>+0.025</sup> <sub>0</sub>	10.4	14.9	16	25.5	60	4.5	25	M4	40	1021	2409
RFE02020	20	20	3.175	1.7x2	896	1865	62 <sup>0</sup> <sub>-0.007</sub>	78	61	51	50 <sup>0</sup> <sub>-0.025</sub>	39 <sup>+0.025</sup> <sub>0</sub>	11	15.5	19	32	70	4.5	31	M5	40	1321	3320
RFE02525	25	25	3.969	1.7x2	918	2033	72 <sup>0</sup> <sub>-0.007</sub>	92	71	58	58 <sup>0</sup> <sub>-0.03</sub>	47 <sup>+0.025</sup> <sub>0</sub>	15.5	21.5	19	34	81	5.5	38	M6	40	1974	5188
RFE03232	32	32	4.762	1.7x2	1511	3310	80 <sup>0</sup> <sub>-0.007</sub>	105	-	76	66 <sup>0</sup> <sub>-0.03</sub>	58 <sup>+0.03</sup> <sub>0</sub>	21	-	29.5	52.5	91	6.6	48	M8	40	2876	8207
RFE04040	40	40	6.35	1.7x2	2385	5830	110 <sup>0</sup> <sub>-0.008</sub>	140	109	92.5	90 <sup>0</sup> <sub>-0.035</sub>	73 <sup>+0.03</sup> <sub>0</sub>	16.5	32	27	49	123	9	61	M8	50	4600	13281
RFE05050	50	50	7.938	1.7x2	3219	7703	120 <sup>0</sup> <sub>-0.008</sub>	156	-	112	100 <sup>0</sup> <sub>-0.035</sub>	90 <sup>+0.035</sup> <sub>0</sub>	25	-	40	71.5	136	11	75	M10	50	6512	19430

Example of model number coding RFER01616A2N GC5 - 500 - P0  
 Model number Accuracy symbol Overall screw shaft length (in mm) Preload

Unit:mm

Model No.	d	l	Da	Dimension							Load (Kgf)		K
				D	L	L1	L2	M	R	n	Ca	Coa	
△ SCI01604-4	16	4	2.381	30	40	9	15	3	1.5	1x4	973	2406	32
★ SCI01605-4		5	3.175	30	45	9	20	5	3	1x4	1380	3052	33
△ SCI02004-4	20	4	2.381	34	40	9	15	3	1.5	1x4	1066	2987	37
★ SCI02005-4		5	3.175	34	45	9	20	5	3	1x4	1551	3875	39
△ SCI02504-4	25	4	2.381	40	40	9	15	3	1.5	1x4	1180	3795	43
★ SCI02505-4		5	3.175	40	45	9	20	5	3	1x4	1724	4904	45
△ SCI02510-4	32	10	4.762	46	85	13	30	5	3	1x4	2954	7295	51
△ SCI03204-4		4	2.381	46	40	9	15	3	1.5	1x4	1296	4838	49
★ SCI03205-4	32	5	3.175	46	45	9	20	5	3	1x4	1922	6343	52
★ SCI03210-4		10	6.35	54	85	13	30	5	3	1x4	4805	12208	62
★ SCI04005-4	40	5	3.175	56	45	9	20	5	3	1x4	2110	7988	59
★ SCI04010-4		10	6.35	62	85	13	30	5	3	1x4	5399	15500	72
△ SCI05010-4	50	10	6.35	72	85	13	30	5	3	1x4	6004	19614	83
○ SCI06310-4	63	10	6.35	85	85	13	30	6	3.5	1x4	6719	25358	95
○ SCI08010-4	80	10	6.35	105	85	13	30	8	4.5	1x4	7346	31953	109

### Ball Screw Support Unit

**GMT GMT GLOBAL INC**  
Made in Taiwan



### Linear System

Linear Motion Technology

**ABBA**  
Linear Tech Co., LTD.  
Made in Taiwan



توضیحات	شماره فنی
سری لینیر رایل برای حرکت‌های خطی به سایز ۳۵، ۲۵، ۲۰، ۱۵ و ۴۵ با چهار ردیف ساچمه	BRH..A
سری لینیر رایل پهن با طول بلند برای حرکت‌های خطی به سایز ۳۵، ۳۰، ۲۵، ۲۰، ۱۵ و ۴۵ با چهار ردیف ساچمه	BRH..AL
سری لینیر رایل باریک برای حرکت‌های خطی به سایز ۳۵، ۳۰، ۲۵، ۲۰، ۱۵ و ۴۵ با چهار ردیف ساچمه	BRH..B
سری لینیر رایل باریک با ارتفاع کوتاه برای حرکت‌های خطی به سایز ۳۵، ۳۰، ۲۵، ۲۰، ۱۵ و ۴۵ با چهار ردیف ساچمه	BRS..B
سری لینیر رایل باریک با ارتفاع و طول کوتاه برای حرکت‌های خطی به سایز ۳۵، ۳۰، ۲۵، ۲۰، ۱۵ و ۴۵ با چهار ردیف ساچمه	BRS..BS
سری لینیر رایل باریک با طول بلند برای حرکت‌های خطی به سایز ۳۵، ۳۰، ۲۵، ۲۰، ۱۵ و ۴۵ با چهار ردیف ساچمه	BRH..BL
تانک روغن جهت صرفه جویی در زمان، هنگام عملیات روغنکاری	BRH..A



توضیحات شماره فنی

یاتاقان های آلومینیومی با بلبرینگ های سری LME با اندازه های استاندارد و چهار بیج اتصال

**SCE.UU**

یاتاقان های آلومینیومی با بلبرینگ های سری LME با اندازه های استاندارد و چهار بیج اتصال

**SCE.VUU**

توضیحات شماره فنی

بلبرینگ های بال بوش با پوسته آهنی (با سایزهای خاور دور) بلبرینگ های بال بوش با پوسته آهنی (با سایزهای اروپا)

**LM..uu**

**LM.uu**

بلبرینگ های بال بوش با پوسته فیبر با ۳ برابر قدرت تحمل بار بیشتر و ۲۷ برابر طول عمر بیشتر نسبت به بلبرینگ های معمولی بال بوش (اینچ)

**LMES.uu**

بلبرینگ های بال بوش با پوسته فیبر با ۳ برابر قدرت تحمل بار بیشتر و ۲۷ برابر طول عمر بیشتر نسبت به بلبرینگ های معمولی بال بوش (اینچ)

**LMBS..uu**

توضیحات شماره فنی

بلبرینگهای بال بوش با پوسته آهنی و شیار باریک

**LME.uuAJ**

بلبرینگهای بال بوش با پوسته آهنی و شیار بزرگ

**LME.uuOP**

بلبرینگهای بال بوش با پوسته آهنی و شیار باریک

**LM.uuAJ**

بلبرینگهای بال بوش با پوسته آهنی و فلنج چهار گوش

**LM.uuOP**

بلبرینگهای بال بوش با پوسته فیبر و شیار بزرگ (میلیمتر)

**LMES.uuOP**

بلبرینگهای بال بوش با پوسته فیبر و شیار بزرگ (اینچ)

**LMBS.uuOP**

توضیحات شماره فنی

بلبرینگهای بال بوش با پوسته آهنی و فلنج گرد

**LFEF.uu**

بلبرینگهای بال بوش با پوسته آهنی و فلنج گرد

**LMF.uu**

بلبرینگهای بال بوش با پوسته آهنی و فلنج گرد و طرف برش خورده

**LMH.uu**

بلبرینگهای بال بوش با پوسته آهنی و فلنج چهار گوش

**LMEK.uu**

بلبرینگهای بال بوش با پوسته آهنی و فلنج چهار گوش

**LMK.uu**

توضیحات شماره فنی

یاتاقان های آلومینیومی با بلبرینگ های سری LM.uuOP با اندازه های استاندارد و چهار بیج اتصال

**SBR..UU**

**TBR.UU**

توضیحات شماره فنی

سر شفت های آلومینیومی از سایز ۸ الی ۴۰ میلی متر

**SK.**

زیر شفت آلومینیومی

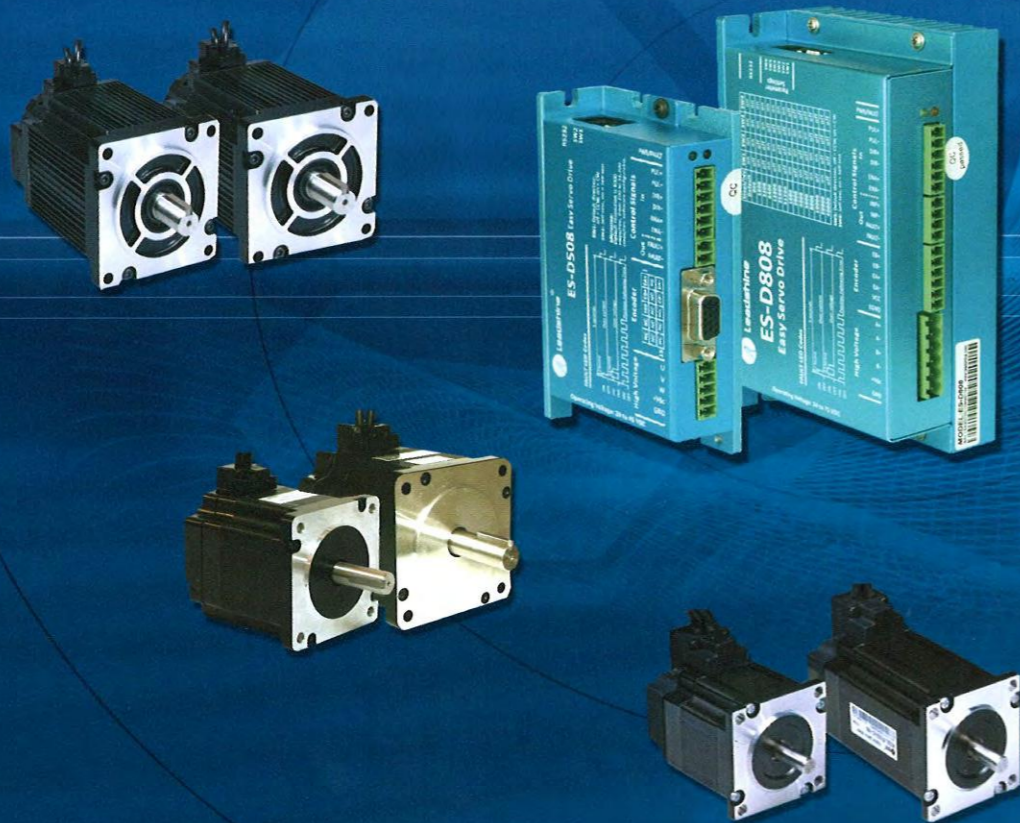
**SB.**

**Step Motors & DSP, Mach3 Control Systems**  
MADE IN CHINA



**EASY SERVO MOTOR**

موتورهای ایزو سرو برای ولتاژهای بالا  
موتورهای ایزو سرو برای ولتاژهای متوسط  
موتورهای ایزو سرو برای ولتاژهای پایین



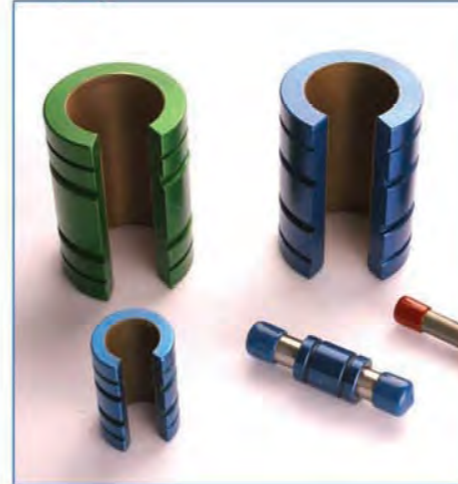
**ROLLCO**  
ROLLING COMPONENTS

سیستم های ریلی ساچمه ای



**Pacific Bearing**

سیستم های خطی بدون ساچمه با تحمل بار بالا و مقاوم در برابر شوک های آنی وارد شده به سیستم



سیستم های خطی شیار دار با دقت بالا



MADE IN CHINA

MADE IN CHINA



# STEP MOTOR & DRIVES



# SERVO MOTORS & DRIVES



### Back Stop System



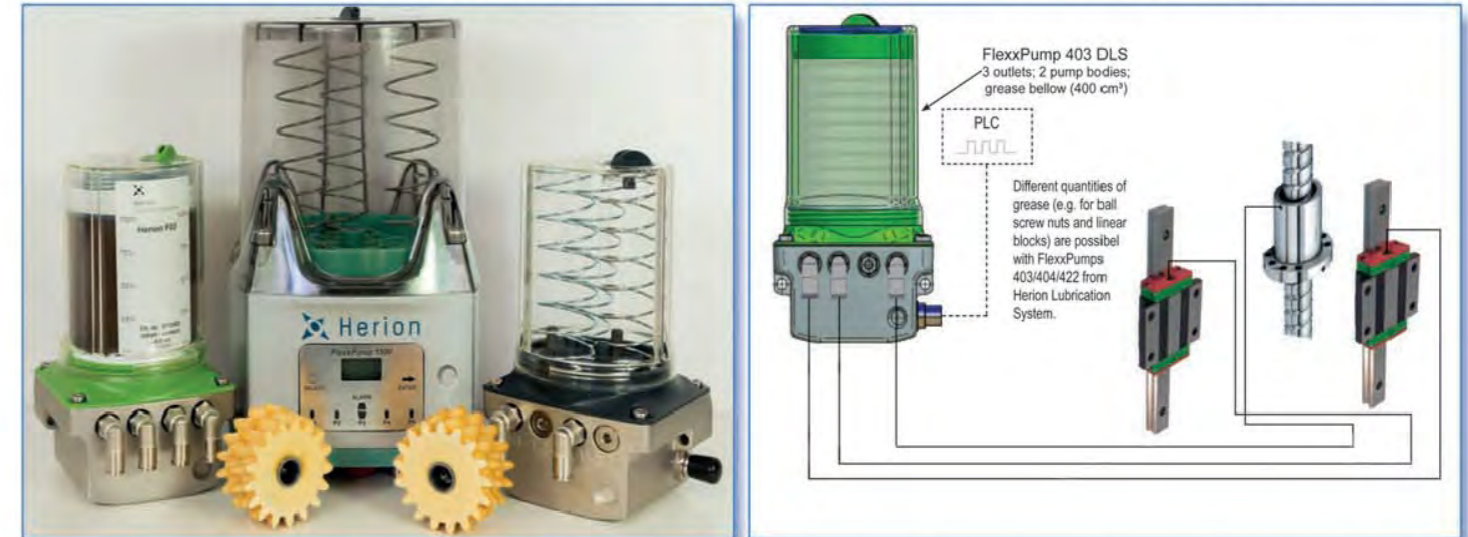
انواع بلبرینگ و رولبرینگ های بک استاپ (قفلی)



### Automatical Lubrication Systems



سیستم های گریسکاری اتوماتیک با قابلیت نصب بر روی PLC و کار با برق ۲۴ ولت مستقیم



Automatical grease-lubrication for ball screw spindle and linear rails directly pulse-controlled by PLC







**MARIO FERRI**  
UNIVERSAL JOINTS  
MADE IN ITALY

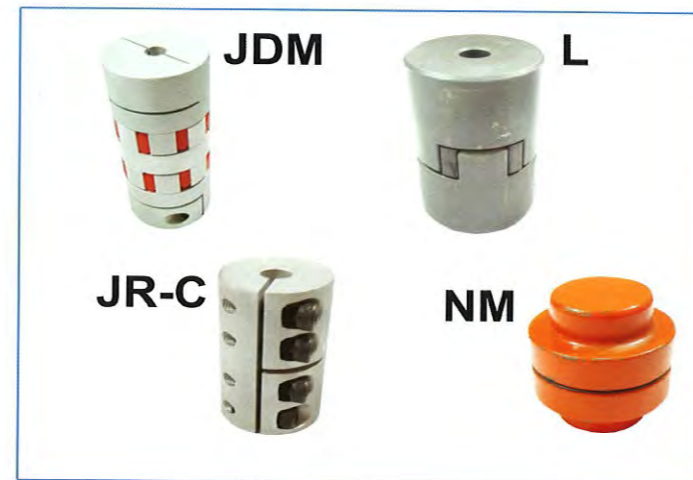
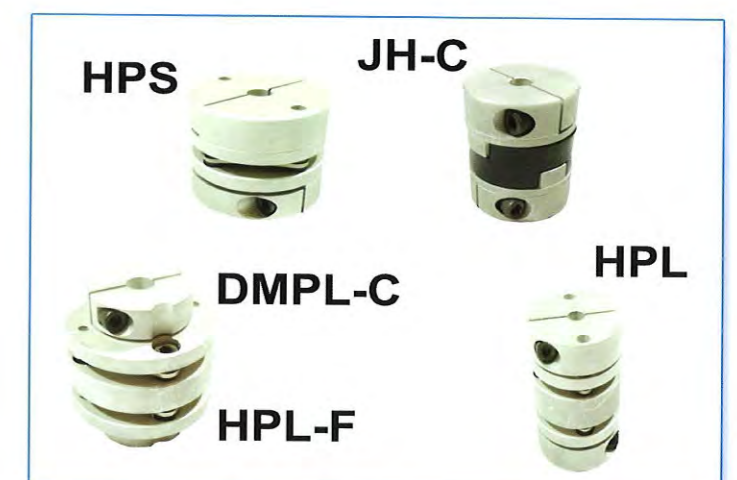
## Universal Joints

چهار شاخه های صنعتی با دقت بالا



## Coupling

کوپلینگ های Zero Back Lash جهت استفاده در ماشین آلات CNC، اتوماسیون و...

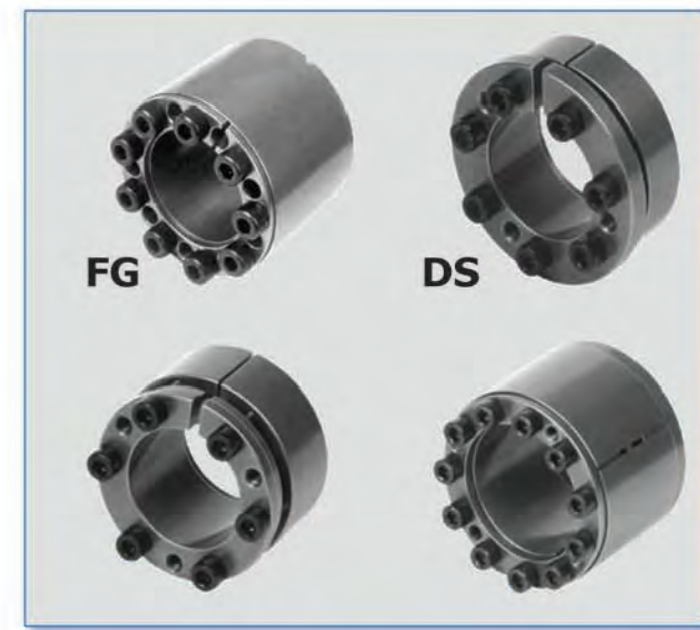
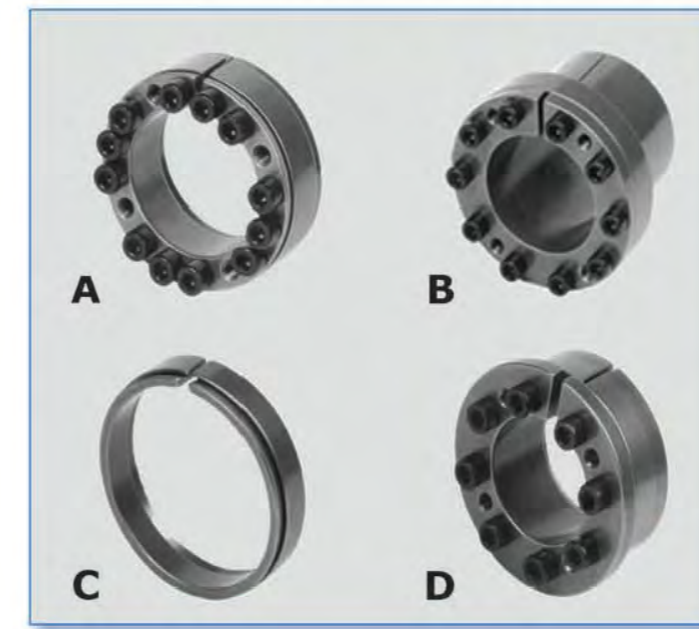
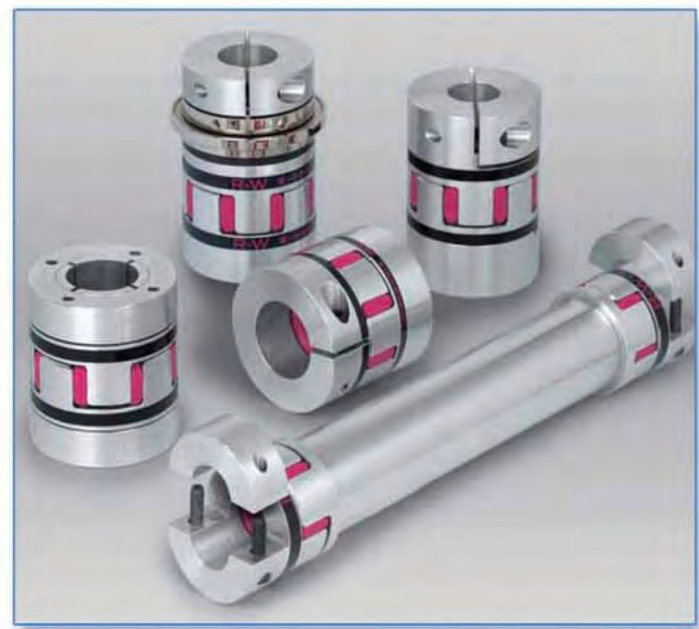


**Coupling System**

**Power Lock**

**R+W**  
COUPLING TECHNOLOGY  
MADE IN GERMANY

پاور لوک بهترین و سریع ترین وسیله جهت اتصال شفت موتور به فولی تایمینگ، چرخ دنده و ..



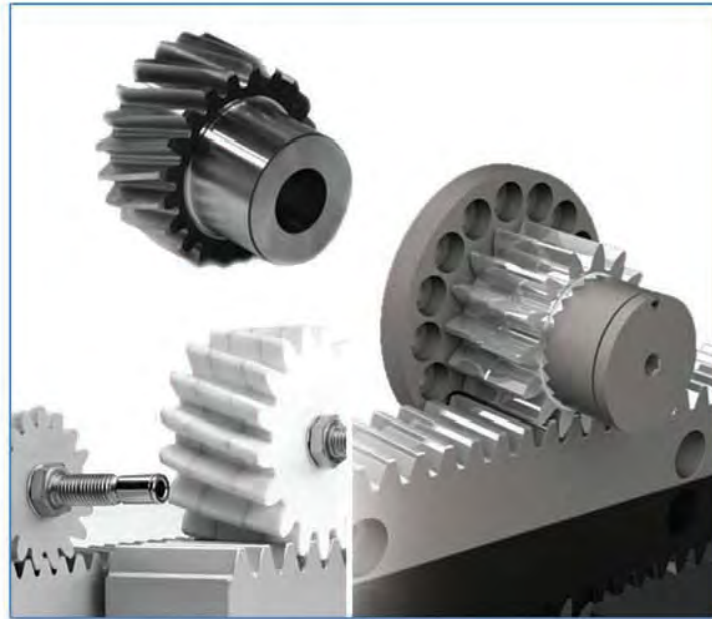
توضیحات  
پاور لوک

شماره فنی  
A.. B.. C.. D.. E.. F.. H.. I..  
L.. M.. ES.. SD.. FG.. DS..

### Rock & Pinion

**WMH HERION**  
MADE IN GERMANY

دنده های شانه ای مورب و ساده با دقت بالا جهت استفاده در ماشین آلات CNC برای سرعت و دقت بالا و صدای کم



### Pully Timing

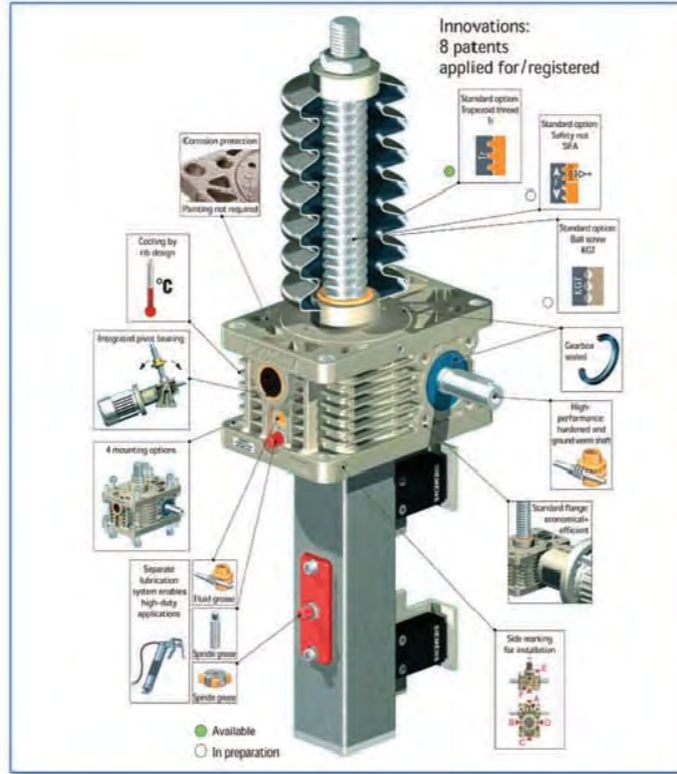
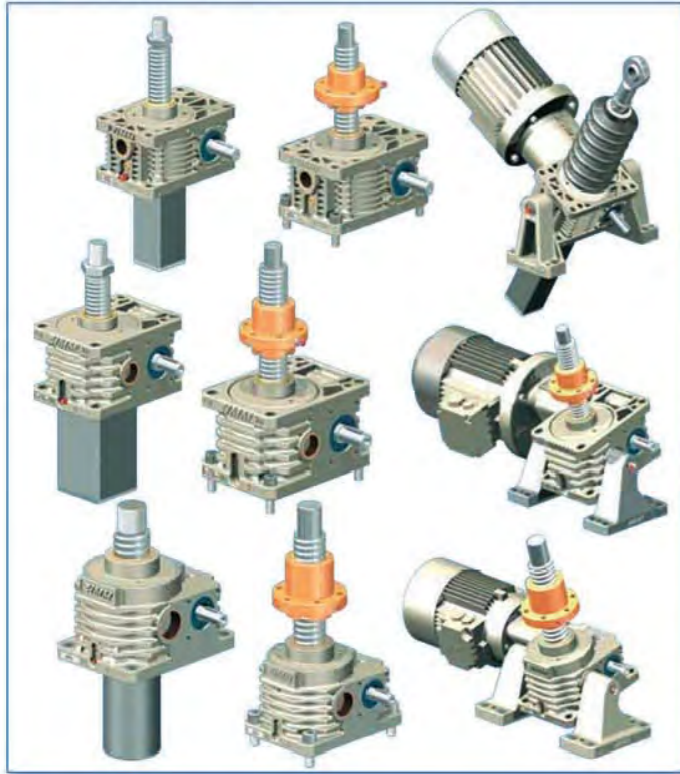
MXL, XL, L, H, 5M, 8M, T5, T10

انواع فولی تایمینگ جهت مصارف صنعتی



### Jack Screw

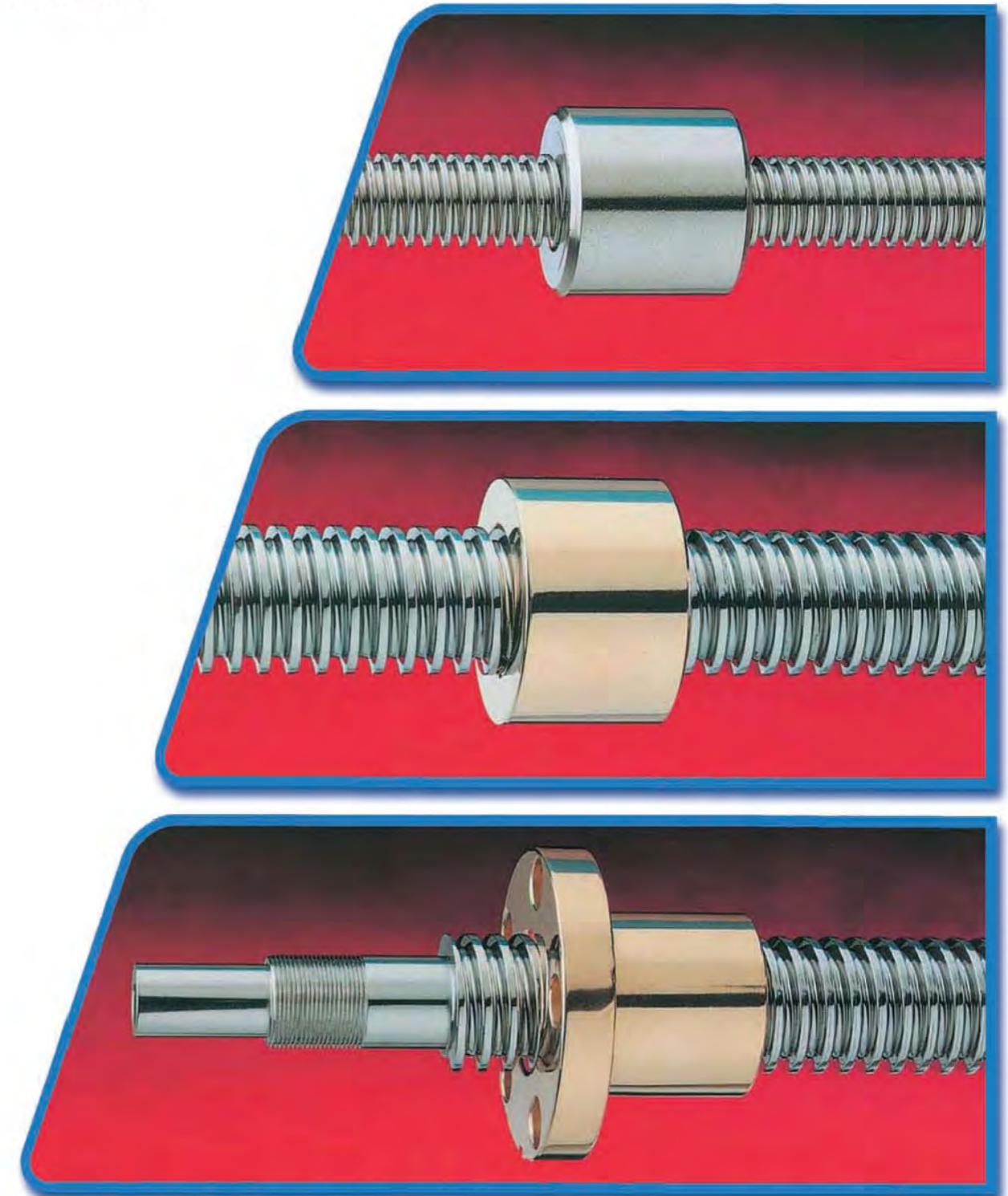
ZIMM Screw Jack Systems



### پیچ های دوزنقه ای (لید اسکرو)

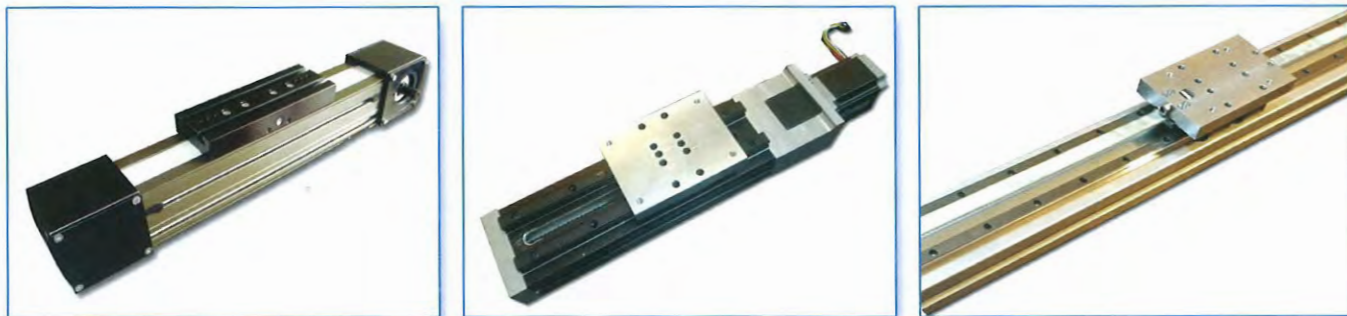
CONTI<sup>®</sup> MADE IN ITALY

### Lead Screw



## X.Y Tables

انواع مدول های خطی با بال اسکرو و تسمه های تایمینگ (طراحی و ساخت بر اساس طول درخواستی مشتریان)

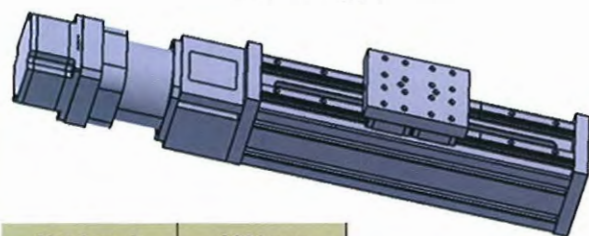


مدول خطی با لینیر و بال اسکرو (برای سیستم های دقیقی و قدرتی)



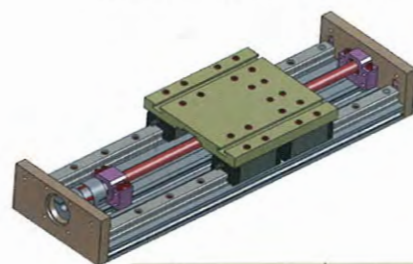
مدول خطی با لینیر و تسمه تایمینگ (برای سیستم های سرعتی)

**OBC 90 x 90 B**  
Direct Type



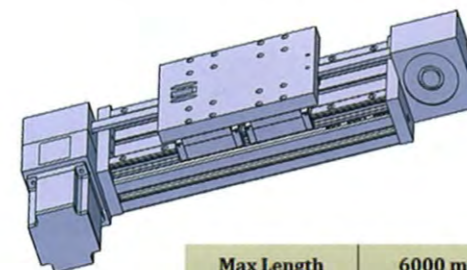
Max Length	2000 mm
DINAMIC	1206 N
ESTATIC	2206 N

**OBC 22.5 x 180 B**



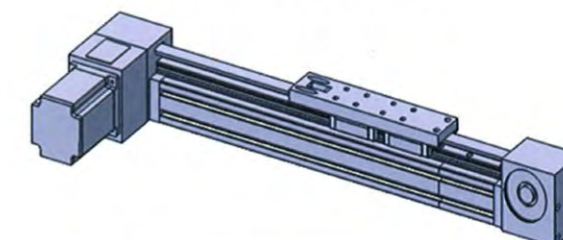
Max Length	3000 mm
DINAMIC	4000 N
ESTATIC	7500 N

**OBC 45 x 180 T**



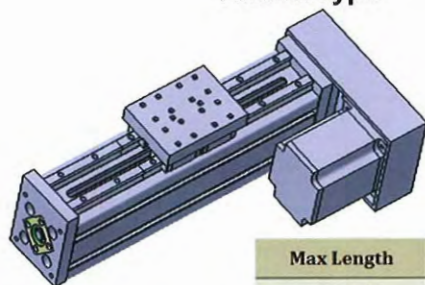
Max Length	6000 mm
DINAMIC	2875 N
ESTATIC	5254 N

**OBC 60 x 60 T**



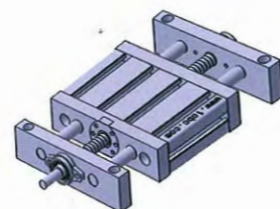
Max Length	4000 mm
DINAMIC	2125 N
ESTATIC	3891 N

**OBC 90 x 90 B**  
Parallel Type



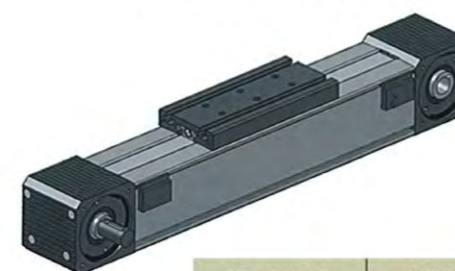
Max Length	2000 mm
DINAMIC	1206 N
ESTATIC	2206 N

**OBC 45 x 180 B**



Max Length	600 mm
------------	--------

**OBC 80 x 80 T**



Max Length	6000 mm
DINAMIC	2125 N
ESTATIC	3891 N

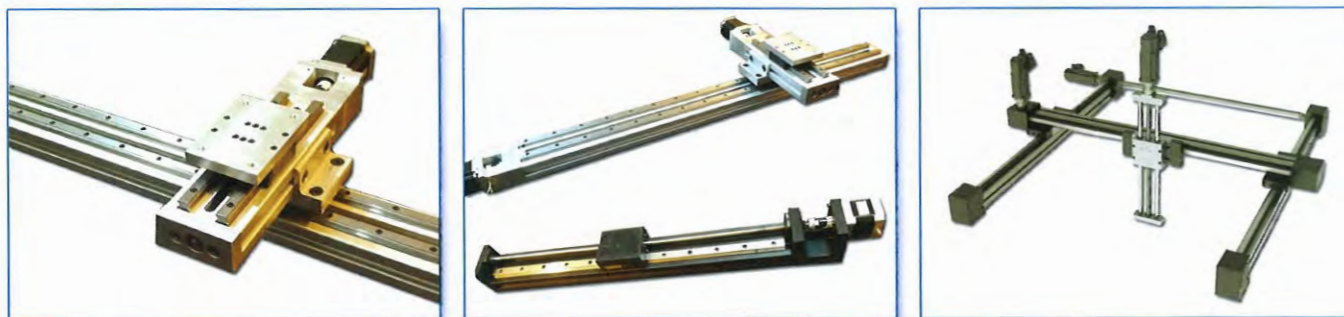
**OBC 16T**  
**OBC 20T**  
**OBC 25T**



Max Length	4000 mm
------------	---------

## X.Y Tables

انواع مدول های خطی با بال اسکرو و تسمه های تایمینگ (طراحی و ساخت بر اساس طول درخواستی مشتریان)



مدول خطی با لینیر و بال اسکرو (برای سیستم های دقتی و قدرتی)



مدول خطی با لینیر و تسمه تایمینگ (برای سیستم های سرعتی)

**OBC 25 x 50 B**

Max Length	1000 mm
DINAMIC	220N
ESTATIC	374N

**OBC 45 x 90 B**

Max Length	2000 mm
DINAMIC	908 N
ESTATIC	1471N

**OBC 45 x 90 T**

Max Length	6000 mm
DINAMIC	2875 N
ESTATIC	5254 N

**OBC 25 x 50 T**

Max Length	1000 mm
DINAMIC	220 N
ESTATIC	374 N

**OBC 30 x 90 B**  
چهار واگن

Max Length	2000 mm
DINAMIC	908 N
ESTATIC	1471N

**OBC 30 x 60 B**

Max Length	1000 mm
DINAMIC	581 N
ESTATIC	834 N

مدول خطی با بال اسکرو  
**BMS**

BMS	DINAMIC (N)	ESTATIC (N)	MAX LENGTH
1605 - 1610	1500	3000	3000 MM
2005	2000	3500	
2505 - 2510	2500	4000	

**OBC 30 x 60 T**

Max Length	2000 mm
DINAMIC	908 N
ESTATIC	1471N

**X.Y Tables**

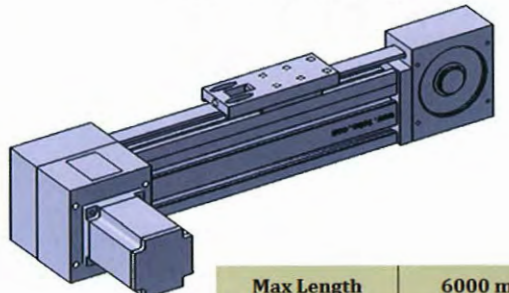
انواع مدول های خطی با بال اسکرو و تسمه های تایمینگ (طراحی و ساخت بر اساس طول درخواستی مشتریان)



مدول خطی با لینیر و بال اسکرو (برای سیستم های دقتی و قدرتی)

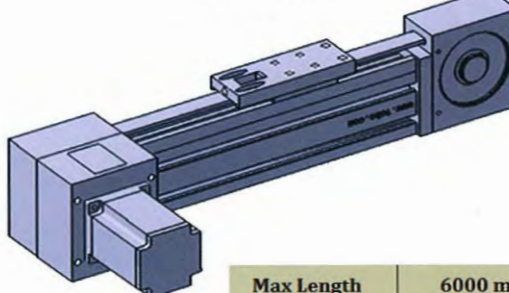
مدول خطی با لینیر و تسمه تایمینگ (برای سیستم های سرعتی)

**GD 30(45-90)**




Max Length	6000 mm
DINAMIC	1000 N
ESTATIC	1400 N

**GD 30(60-60)**



Max Length	6000 mm
DINAMIC	1000 N
ESTATIC	1400 N

**BRM 20**



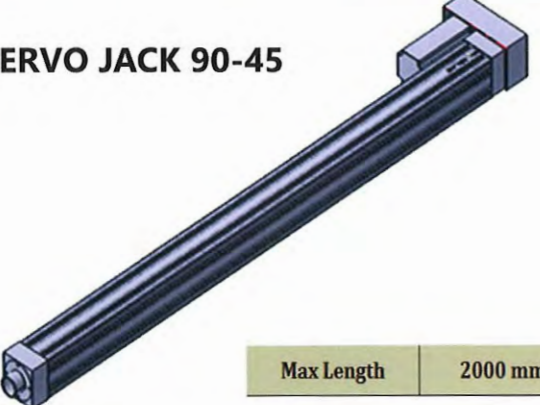
Max Length	6000 mm
DINAMIC	2500 N
ESTATIC	3500 N

**BRM 06**



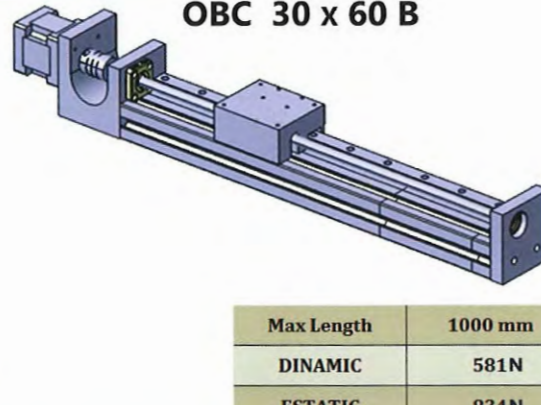
Max Length	3500 mm
DINAMIC	1000 N
ESTATIC	2000 N

**SERVO JACK 90-45**



Max Length	2000 mm
------------	---------

**OBC 30 x 60 B**



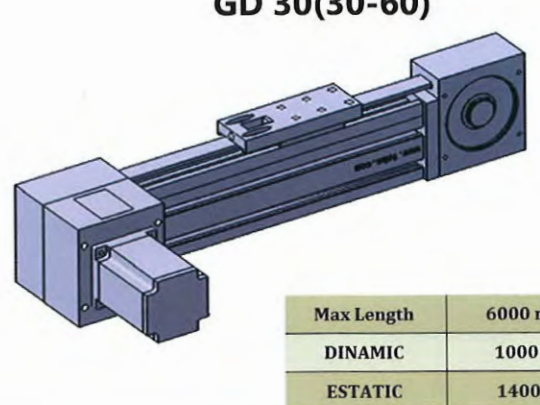
Max Length	1000 mm
DINAMIC	581N
ESTATIC	834N

**BRM 10**



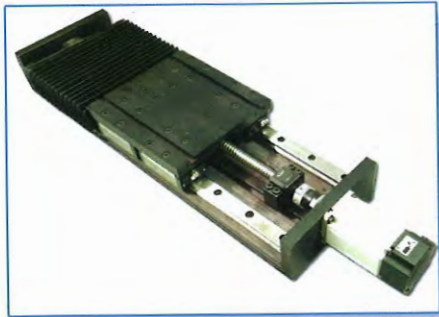
Max Length	6000 mm
DINAMIC	2000 N
ESTATIC	3000 N

**GD 30(30-60)**



Max Length	6000 mm
DINAMIC	1000 N
ESTATIC	1400 N

### SERVO JACK



### SERVO JACK

**SERVO JACK 50-25**  
(Direct Drive)

Max Length	500 mm
------------	--------

**SERVO JACK 50-25**  
(Parallel Drive)

Max Length	500 mm
------------	--------

**SERVO JACK 80-40**  
(Direct Drive)

Max Length	1500 mm
------------	---------

**SERVO JACK 80-40**  
(Parallel Drive)

Max Length	1500 mm
------------	---------

**SERVO JACK 40-20**  
(Direct Drive)

Max Length	600 - 800 mm
------------	--------------

**SERVO JACK 40-20**  
(Parallel Drive)

Max Length	600 - 800 mm
------------	--------------

**SERVO JACK 60-30**  
(Direct Drive)

Max Length	1000 mm
------------	---------

**SERVO JACK 60-30**  
(Parallel Drive)

Max Length	1000 mm
------------	---------



**Rod & Bearing**

**LS Spherical Plan Bearing**

MADE IN CHINA



**Cam Follower Bearing**

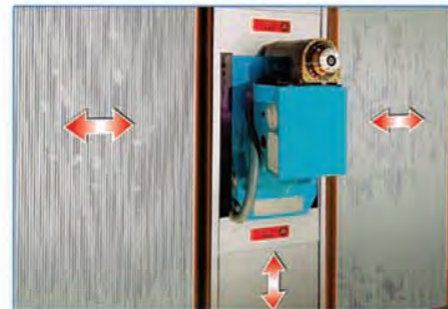
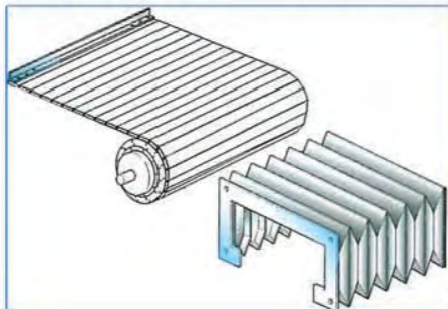
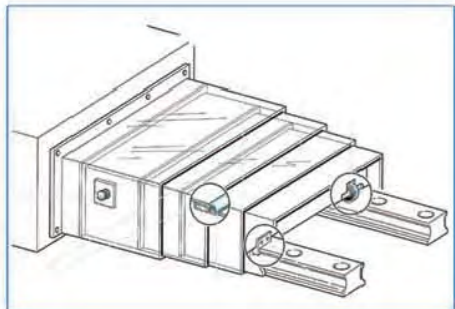
**JMC**

MADE IN KOREA



**Cover for Linear System**

ساخت کاور های صنعتی برای ماشین آلات CNC طبق سفارش مشتری



**Bearing Units**

انواع بلبرینگ های یاتاقانی

**NKB**  
MADE IN TAIWAN



### Linear Roller Bearings

سیستم های خطی با بلبرینگ های پشت شیار دار

**HEPCO** MADE IN ENGLAND



**FACE** MADE IN ITALY



**COOPER** SPLIT ROLLER BEARINGS MADE IN USA



### Spindel Motor (High Frequency)

موتور های با فرکانس بالا جهت استفاده در ماشین آلات CNC صنعت چوب

**AREI**  
MADE IN TURKEY



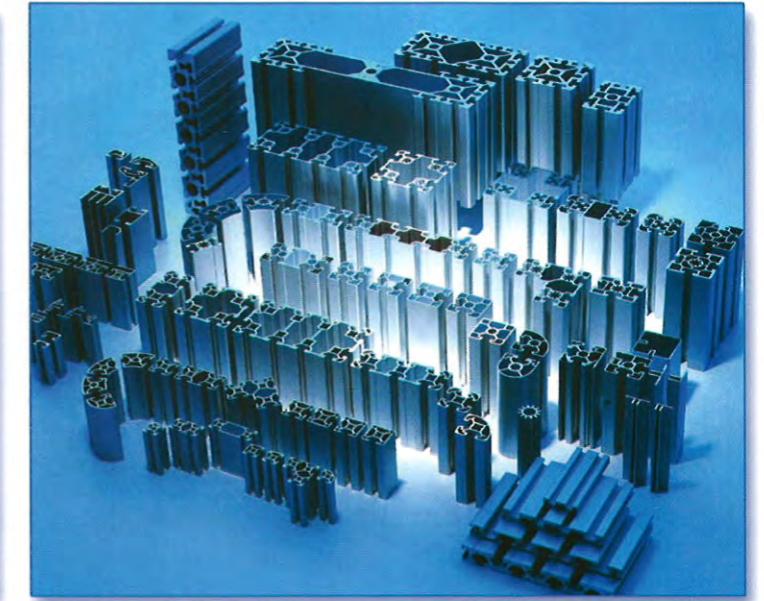
**chiteco**  
MADE IN ITALY





## Aluminium Profile & Accessories

انواع مقاطع آلومینیومی جهت ساخت شاسی و کاور ماشین آلات صنعتی



بلبرینگ های نسوز و استنلس استیل مارک **ENC** اسپانیا

**ENC Bearings**  
One colour for each temperature

as easy as that! **MADE IN SPAIN**

**BRL** The company that brings **colour** to temperature

**UC ZZ 270°**

UC for **HIGH** temperature

CHOOSE UC **ORANGE BOX**

**TECHNICAL CHARACTERISTICS:**

- AISI 52100 Steel
- Manganese Phosphate surface treatment
- Increased radial clearance to compensate for thermal expansion
- Molyguard CF-2 grease from -35° C to 270° C

**FIELDS OF USE:**

- Textile Machinery
- Generators
- Heating Pumps
- Industrial Ventilators
- Dryers
- Etc.

**BRL** The color bearings company  
Tel: (+34) 937 541 674 • www.brllbearings.com • brll@brllbearings.com

**ENC SS INOX 2RS**

For extreme environments,  
**MOISTURE**

CHOOSE **SILVER BOX**

**BRL** The color bearings company  
Tel: (+34) 937 541 674 • www.brllbearings.com • brll@brllbearings.com

**ENC 2RS 250**

When you need **C4 PLAY** with high temperature

CHOOSE THE **BLUE BOX**

**TECHNICAL SPECIFICATIONS:**

- 52100 Steel
- C4 Radial Clearance
- Greased for -20 to 250C
- 2RS-265C Vulcanized Rubber Protection

**APPLICATIONS:**

- Textile Machinery
- Generators
- Heating Pumps
- Industrial Ventilators
- Dryers
- Etc.

**BRL** The color bearings company  
Tel: (+34) 937 541 674 • www.brllbearings.com • brll@brllbearings.com

انواع گیربکس های خورشیدی با دقت بالا از ۱ به ۵ از ۱ به ۱۰۰



High Precision Planetary Reducers



High Precision Right Angel Reducers



Hollow Rotary Actuator Reducers

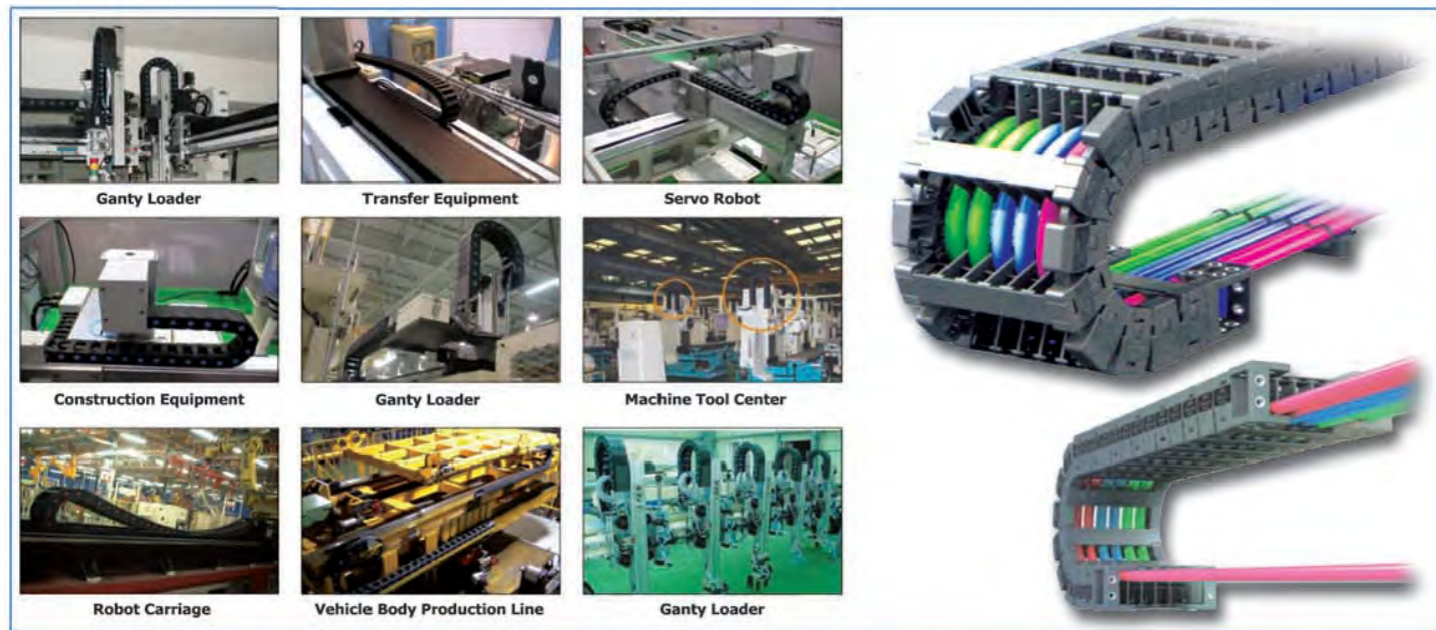


Reducers for Servo Motor

### Cable Carrier System



سیستم های حمل کننده کابل



### Flexible Corrugated Tube



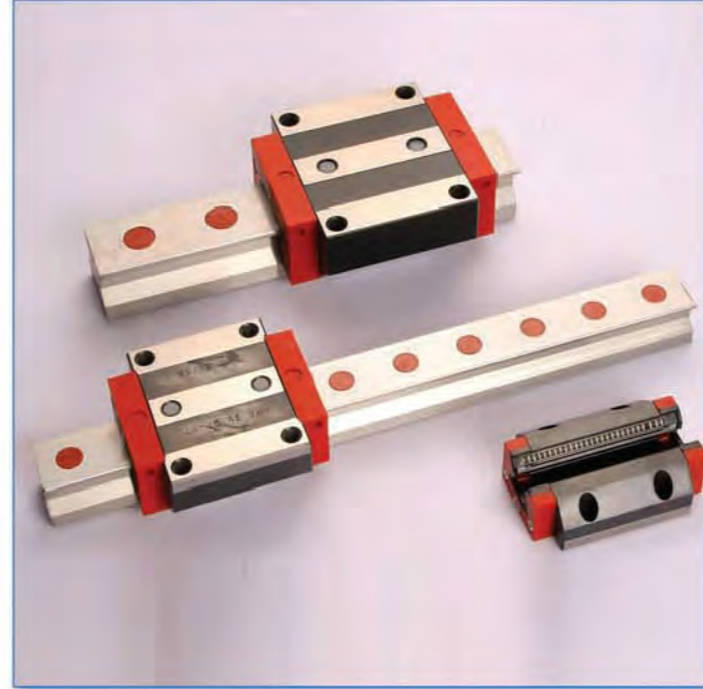
شیلنگ های خرطومی از سایز ۷ الی ۹۵ میلی متر و انواع اتصالات آنها جهت استفاده در بخش سیم کشی صنایع خودرو سازی و ماشین سازی



### Linear Technology

SCHNEEBERGER  
LINEAR TECHNOLOGY  
MADE IN GERMANY

لینیرهای ساچمه ای استوانه ای



### High Temperature & Stainless Steel Bearings

بلبرینگ های نسوز و استنلس استیل



بلبرینگ های پشت شیاردار



### Support Unit

سپورت مهره ثابت

سپورت مهره متحرک



### Ball Transfer

بلبرینگ های چشمی ( ساچمه حمل کننده )



MADE IN TURKEY  
**LEVEL**  
MAKINA TAMPONLARI



MADE IN TURKEY  
**LEVEL**  
MAKINA TAMPONLARI

## Machine Mounts

پایه و یراق آلات ماشین آلات صنعتی



## Linear Shafts & Customized Precision Shafts

Induction Hardened & Chrome Plated Linear Shafts

شفت های سخت کاری شده با روکش کروم و سنگ خورده  
مخصوص لاینر بوشینگ ها



## Linear Shafts & Customized Precision Shafts

Induction Hardened & Ground Linear Shafts

شفت های سخت کاری شده و سنگ خورده  
مخصوص لاینر بوشینگ ها



### NI-WV

Shaft diameter d (*)	Weight per meter	Shaft code number	Standard length	Hardening depth Rht DIN 6773	Straightness (maximum)	Roundness (maximum)	Tolerance ISO h6	Standard tolerance ISO h7
mm	kg		mm	mm	mm/meter	µm	µm	µm
4	0.10	NI-WV4	3100	0.5 - 0.8	0,16	4	0/-8	0/-12
5	0.16	NI-WV5	3100	0.5 - 0.8	0,16	4	0/-8	0/-12
6	0.23	NI-WV6	6000	0.5 - 0.8	0,16	4	0/-8	0/-12
8	0.40	NI-WV8	6000	0.6 - 0.9	0,16	4	0/-9	0/-15
10	0.62	NI-WV10	6000	0.7 - 1.0	0,12	4	0/-9	0/-15
12	0.89	NI-WV12	6000	0.8 - 1.2	0,12	5	0/-11	0/-18
14	1.21	NI-WV14	6000	0.9 - 1.3	0,12	5	0/-11	0/-18
15	1.39	NI-WV15	6000	1.0 - 1.4	0,12	5	0/-11	0/-18
16	1.58	NI-WV16	6000	1.1 - 1.5	0,10	5	0/-11	0/-18
20	2.47	NI-WV20	6000	1.2 - 1.5	0,10	6	0/-13	0/-21
25	0.85	NI-WV25	6000	1.5 - 1.7	0,10	6	0/-13	0/-21
30	5.55	NI-WV30	6000	1.5 - 1.9	0,10	6	0/-13	0/-21
35	7.55	NI-WV35	6000	1.5 - 1.9	0,10	7	0/-16	0/-25
40	9.87	NI-WV40	6000	1.6 - 2.0	0,10	7	0/-16	0/-25
45	12.50	NI-WV45	6000	1.6 - 2.0	0,10	7	0/-16	0/-25
50	15.40	NI-WV50	6000	2.2 - 2.6	0,10	7	0/-16	0/-25
60	22.20	NI-WV60	6000	2.2 - 2.6	0,10	8	0/-19	0/-30
70	30.20	NI-WV70	6000	2.2 - 2.6	0,10	8	0/-19	0/-30
80	39.50	NI-WV80	6000	2.2 - 2.6	0,10	8	0/-19	0/-30
90	49.92	NI-WV90	6000	2.2 - 3.2	0,20	8	0/-22	0/-35
100	96.28	NI-WV100	6000	2.2 - 3.2	0,20	8	0/-22	0/-35
110	74.56	NI-WV110	6000	2.5 - 4.0	0,20	8	0/-22	0/-35
120	88.73	NI-WV120	6000	2.5 - 4.0	0,20	8	0/-22	0/-35
125	96.28	NI-WV125	6000	2.5 - 4.0	0,20	8	0/-25	0/-40

By request we can supply shaft diameters in no listed dimensions with special lengths and tolerance

- Surface hardness: 60-64 HRC
- Chrome layer hardness: 900-1100HV0.1
- Lengths tolerances: ±200 mm
- Chrome thickness: 7-15 microns
- Surface roughness: max Ra = 0.2 microns
- Steel grades: Ck55; Cf53

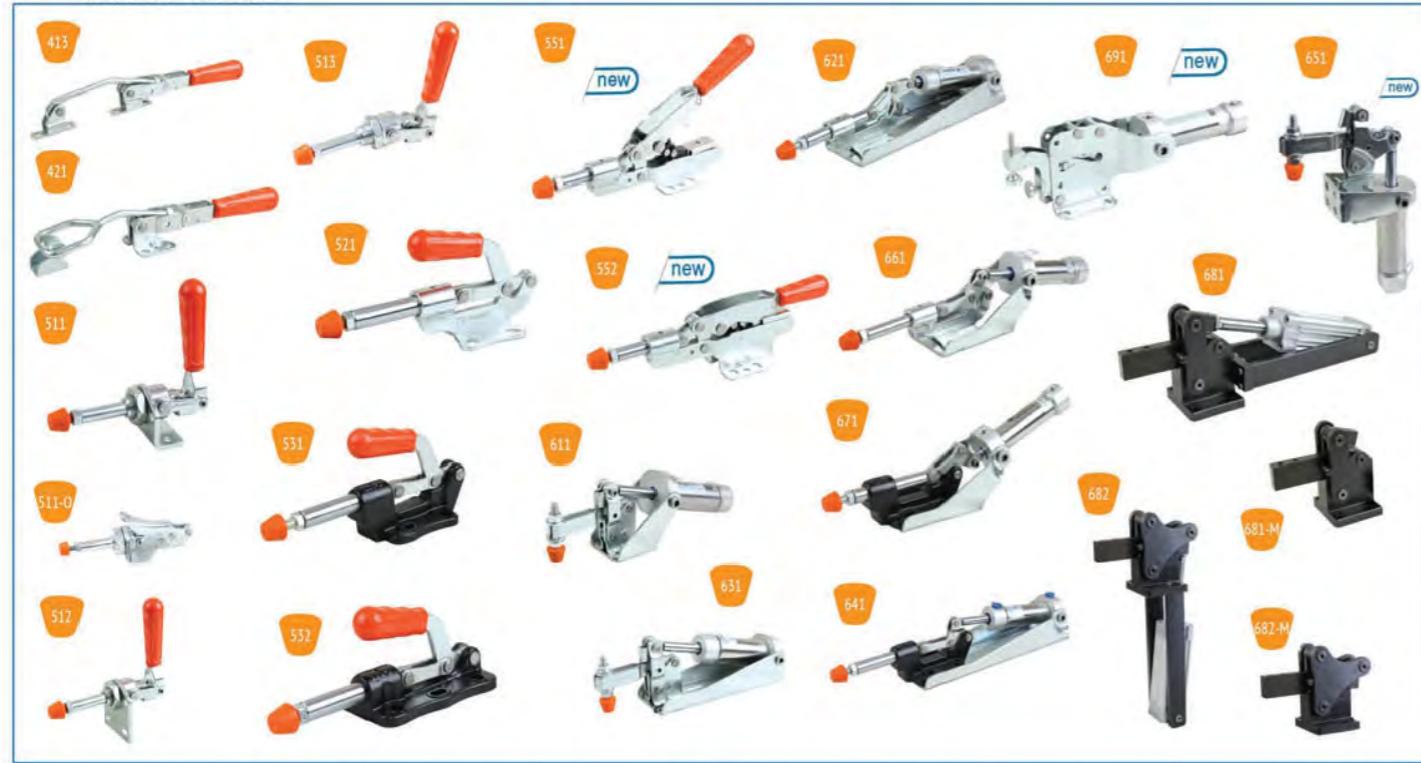
### NI-W

Shaft diameter d (*)	Weight per meter length	Shaft code number	Standard length	Hardening depth Rht DIN 6773	Straightness (maximum)	Roundness (maximum)	Standard tolerance ISO h6	Tolerance ISO g6
mm	kg		mm	mm	mm/meter	µm	µm	µm
4	0.10	NI-W4	3100	0.5 - 0.8	0,16	4	0/-8	-4 -12
5	0.16	NI-W5	3100	0.5 - 0.8	0,16	4	0/-8	-4 -12
6	0.23	NI-W6	6000	0.5 - 0.8	0,16	4	0/-8	-4 -12
8	0.40	NI-W8	6000	0.6 - 0.9	0,16	4	0/-9	-5 -14
10	0.62	NI-W10	6000	0.7 - 1.0	0,12	4	0/-9	-5 -14
12	0.89	NI-W12	6000	0.8 - 1.2	0,12	5	0/-11	-6 -17
14	1.21	NI-W14	6000	0.9 - 1.3	0,12	5	0/-11	-6 -17
15	1.39	NI-W15	6000	1.0 - 1.4	0,12	5	0/-11	-6 -17
16	1.58	NI-W16	6000	1.1 - 1.5	0,10	5	0/-11	-6 -17
20	2.47	NI-W20	6000	1.2 - 1.5	0,10	6	0/-13	-7 -20
25	0.85	NI-W25	6000	1.5 - 1.7	0,10	6	0/-13	-7 -20
30	5.55	NI-W30	6000	1.5 - 1.9	0,10	6	0/-13	-7 -20
35	7.55	NI-W35	6000	1.5 - 1.9	0,10	7	0/-16	-9 -25
40	9.87	NI-W40	6000	1.6 - 2.0	0,10	7	0/-16	-9 -25
45	12.50	NI-W45	6000	1.6 - 2.0	0,10	7	0/-16	-9 -25
50	15.40	NI-W50	6000	2.2 - 2.6	0,10	7	0/-16	-9 -25
60	22.20	NI-W60	6000	2.2 - 2.6	0,10	8	0/-19	-10 -29
70	30.20	NI-W70	6000	2.2 - 2.6	0,10	8	0/-19	-10 -29
80	39.50	NI-W80	6000	2.2 - 2.6	0,10	8	0/-19	-10 -29
90	49.92	NI-W90	6000	2.2 - 3.2	0,20	8	0/-22	-12 -34
100	96.28	NI-W100	6000	2.2 - 3.2	0,20	8	0/-22	-12 -34
110	74.56	NI-W110	6000	2.5 - 4.0	0,20	8	0/-22	-12 -34
120	88.73	NI-W120	6000	2.5 - 4.0	0,20	8	0/-22	-12 -34
125	96.28	NI-W125	6000	2.5 - 4.0	0,20	8	0/-25	-14 -39

- Surface hardness: 60-64 HRC
- Lengths tolerances: ±200 mm
- Surface roughness: max Ra = 0.2 microns
- Steel grades: Cf53; Ck55 (C55E); C60E



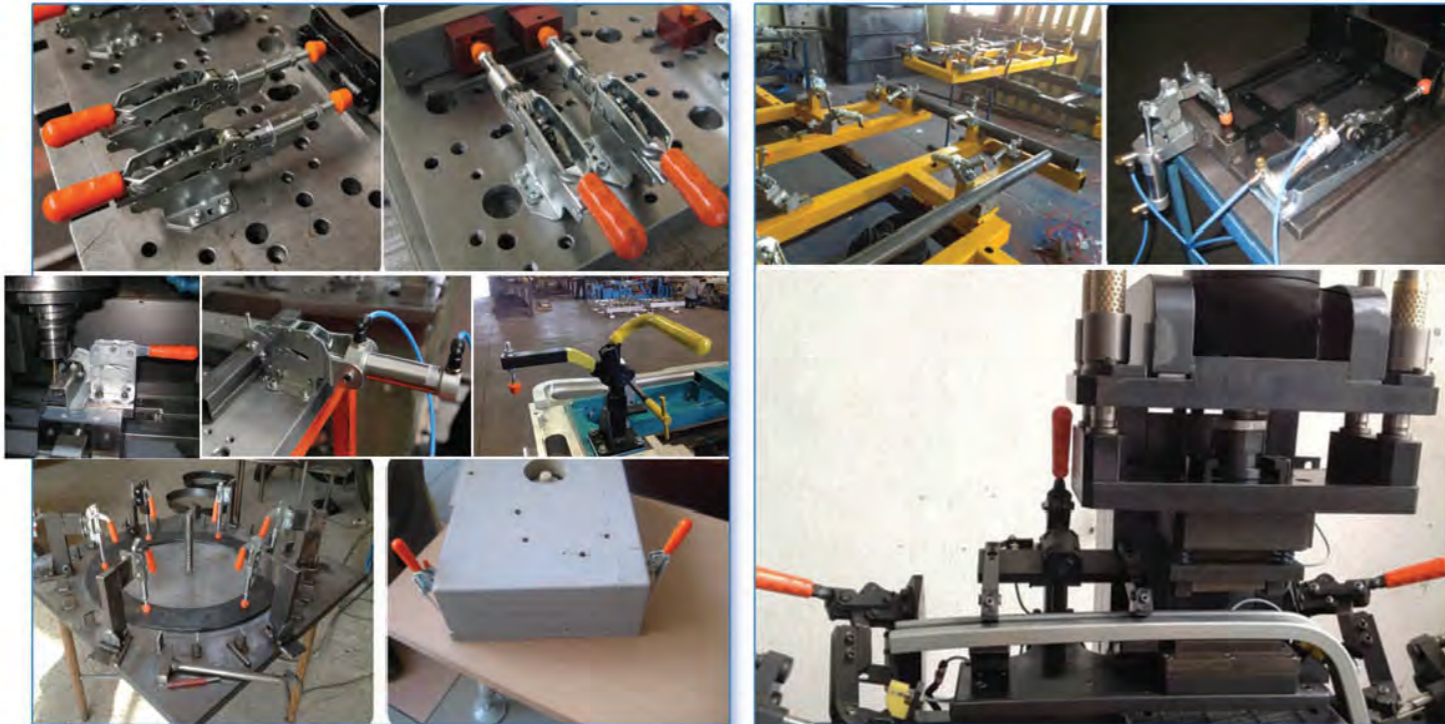
**KUKAMET**  
HIZLI BAĞLANTI ELEMANLARI / TOGGLE CLAMPS  
MADE IN TURKEY



**KUKAMET**  
HIZLI BAĞLANTI ELEMANLARI / TOGGLE CLAMPS  
MADE IN TURKEY

**Toggle Clamps**

گیره های اتصال سریع ( دستی ، پنوماتیکی ) در انواع مدل ها







Actuator/Gear Motor/Control

MADE IN TAIWAN & CHINA




**ID10(ACME Type)**  
 Input: 12 / 24 VDC  
 Max. Load: 3500 N  
 Speed: 33 mm/s (no load)  
 7 mm/s (3500 N)  
 Stroke: 102-610 mm  
 Duty Cycle: 25% (max. 2 min continuous on)  
 Color: Black  
 Overload Clutch Protection  
 Protection Rating: IP 54

**OPTION |**  
 Potentiometer  
 Adjustable Limit Switches  
 Manual Drive by Hand Crank  
 Protection Rating: IP 65

Standard

**ID10(BALL SCREW Type)**  
 Input: 12 / 24 VDC  
 Max. Load: 7000 N  
 Speed: 67 mm/s (no load)  
 7 mm/s (7000 N)  
 Stroke: 102-610 mm  
 Duty Cycle: 25% (max. 2 min continuous on)  
 Color: Black  
 Overload Clutch Protection  
 Protection Rating: IP 54

**OPTION |**  
 Potentiometer  
 Adjustable Limit Switches  
 Manual Drive by Hand Crank  
 Protection Rating: IP 65



Standard

**ID11(ACME Type)**  
 Input: 12 / 24 VDC  
 Max. Load: 3500 N  
 Speed: 33 mm/s (no load)  
 7 mm/s (3500 N)  
 Stroke: 102-610mm  
 Duty Cycle: 25% (max. 2 min continuous on)  
 Color: Black  
 Overload Clutch Protection  
 Adjustable Limit Switches  
 Protection Rating: IP54

**OPTION |**  
 Protection Rating: IP65



**ID11(BALL SCREW Type)**  
 Input: 12 / 24 VDC  
 Max. Load: 7000 N  
 Speed: 67 mm/s (no load)  
 7 mm/s (7000 N)  
 Stroke: 102-610mm  
 Duty Cycle: 25% (max. 2 min continuous on)  
 Color: Black  
 Overload Clutch Protection  
 Adjustable Limit Switches  
 Protection Rating: IP54

**OPTION |**  
 Protection Rating: IP65




MADE IN TAIWAN & CHINA

Actuator/Gear Motor/Control

سیستم موتورهای خطی (لینیر جک) جهت مصارف صنعتی

Industrial Series

**IA5(ACME Type)** Heavy Duty Actuator with AC Motor  
 Input: 100,115VAC/60Hz ; 230 VAC/50Hz  
 Max. Load: 3500 N  
 Speed: 28 mm/s(no load, 115V)  
 3 mm/s (3500 N, 230V)  
 Stroke: 102-610 mm  
 Duty Cycle: 25% (max. 2 min continuous on)  
 Color: Black  
 Overload Clutch Protection  
 Self-Locking  
 Thermal Overload Protection in Motor  
 Protection Rating: IP54



Potentiometer / Limit Switches

Standard

**IA5(BALL SCREW Type)** Heavy Duty AC Actuator with Ball Screw  
 Input: 100,115VAC/60Hz ; 230 VAC/50Hz  
 Max. Load: 3500 N  
 Speed: 56 mm/s (no load, 115V)  
 3 mm/s (7000 N, 230V)  
 Stroke: 102-610 mm  
 Duty Cycle: 25% (max. 2 min continuous on)  
 Color: Black  
 Overload Clutch Protection  
 Self-Locking  
 Thermal Overload Protection in Motor  
 Protection Rating: IP54


**OPTION |**  
 Potentiometer  
 Adjustable Limit Switches  
 Protection Rating: IP65



Potentiometer / Limit Switches

**LD3** Compact Actuator  
 Input: 24 / 12 VDC  
 Max. Load: 1200 N  
 Speed: 45 mm/s (no load)  
 7 mm/s (1200 N)  
 Stroke: 50-300 mm  
 Duty Cycle: 25% (max. 2 min continuous on)  
 Protection Rating: IP54

**OPTION |**  
 Hall Effect Sensor  
 Potentiometer  
 Protection Rating: IP65  
 Clamp



Standard Potentiometer Hall Effect

**ID10S** Heavy Duty Actuator for Solar Tracking  
 ACME Type / Ball Screw Type  
 Input: 12/24/36/90 VDC  
 Max. Load: (ACME) 5500 N  
 (Ball) 9000 N  
 Speed: (ACME) 5.5 mm/s (No load)  
 4.5 mm/s (@5500N)  
 (Ball) 5.5 mm/s (No load)  
 4.5 mm/s (@9000N)  
 Stroke: 450-900 mm  
 Duty Cycle: 10% (max. 2 min continuous on)  
 Overload Clutch Protection  
 Adjustable Limit Switches  
 Hall Effect Sensor (Digital Feedback)  
 Aluminum Back Cover  
 Clamp  
 Protection Rating: IP 54

**OPTION |**  
 Stainless Extension Tube  
 Potentiometer (Analog Feedback)  
 Reed Sensor (Digital Feedback)  
 Protection Rating: IP 65




## Linear Guide



- Excellent Quality
- Move Smoothly
- Easy Assembly
- Patent Design



## Ball Spline



- High Load Carrying Capacity
- Zero Angular Backlash
- Easy Assembly
- High Rigidity



## Ball Screw



- High Load Carrying Capacity
- High Rigidity
- High Speed
- Low Noise



## Actuator/Gear Motor/Control

سیستم موتورهای خطی (لینیر جک) جهت مصارف پزشکی و خانگی

## Home & Medical Solution

Input: 100/120/230 VAC  
Max. Load: 2\*4500N (TW41)  
Max. Speed: 5 mm/sec  
Stroke: 87 mm (Back) / 69 mm (Legs)  
(Other Strokes Available)  
Emergency Lowering Function by 2\*9V Batt.  
Duty Cycle: 10% (max. 2 min continuous on)  
Protection Rating: IP20  
Patented



TW41 / TW61

### OPTION |

Max. Load: 2\*6000N (TW61)  
External Switching Power Supply  
Internal Switching Power Supply  
Additional 1-2 Actuators or Massage Motors  
Safety Plug (Mains Cut-off)  
Memory Function  
Wired Handset / RF Handset / IR Handset  
Protection Rating: IPX4  
Color: Light Gray (RAL 7035)

### CBP2

Control Box for Patient Lift  
Input: 120 / 230 VAC, 60 / 50Hz  
Output: 24 VDC, (5Ah 2\*12V)  
Drive up to 2 Actuators  
Pulling-proof AC Plug  
Adjustable Overload Protection  
Actuator's Over-duty Alarm on LCD  
Emergency Stop Button  
Control Panel with max. 4 Buttons  
Charging Function  
Battery Capacity on LCD Display  
Low Battery Alarm  
Duty Cycle: 10% (max. 2 min continuous on)  
Protection Rating: IPX5  
Color: Light Gray (RAL 7035)



### OPTION |

Battery Capacity Indicator on Battery Pack  
Soft Start and Stop for Lifting Actuator  
Stand-alone Charger (CHP1)  
Additional Battery Pack (BTP1)

Input: 24 / 12 VDC  
Max. Load: 6000N (push) / 4000N (pull)  
Speed: 4.2mm/sec (no load)  
2.9mm/sec (6000N)  
Stroke: 60-300 mm  
Preset Limit Switches  
Duty Cycle: 10% (max. 2 min continuous on)  
Protection Rating: IPX4  
Color: Light Gray (RAL 7035)

### OPTION |

Speed: 3.1~44 mm/sec (no load)  
Hall Effect Sensor  
Push Only  
Safety Nut  
Quick Release  
Protection Rating: IPX5

MD66



### MD7C

A Control Box that can be attached to MD7 Actuator  
Input: 100 / 120 / 230 VAC, 60 / 50 Hz  
Output: 24 VDC @ 3 A max.  
Drive up to 4 Actuators  
Emergency Lowering Function by 2\*9V Batt.  
Duty Cycle: 10% (max. 2 min continuous on)  
Protection Rating: IPX4  
Color: Light Gray (RAL 7035)

### OPTION |

High Voltage Output  
Protection Rating: IPX5



# بلبرینگ اسکونی

( اسکو صنعت تاوریز )

## OSKOYI BALLBEARING

- Linear Guide
- ball screw
- ball spline
- ballbearing

**OSKO SANAT TAVREJ**

