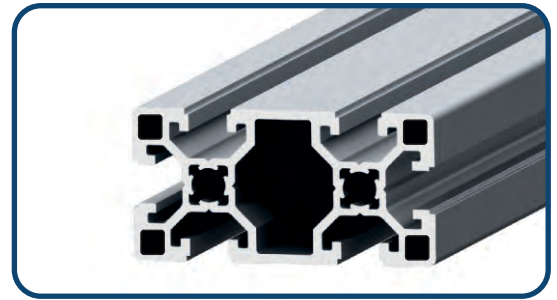
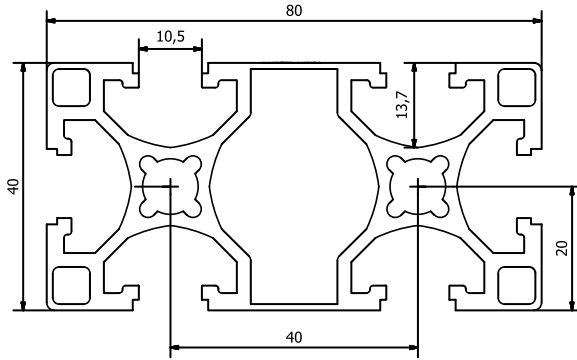
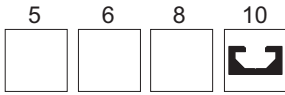


OBC-40*80 H سنگین



Part No.	Wy cm ³	Wx cm ³	Ly cm ⁴	Lx cm ⁴	L mm	coating	Material	Area cm ²	Weight kg/m
OBC-40*80 H	9.25	17.38	20.9	82.3	6000	Anodizad	AL-6063	11.9	3.22

L(Standard) : 6050 mm



