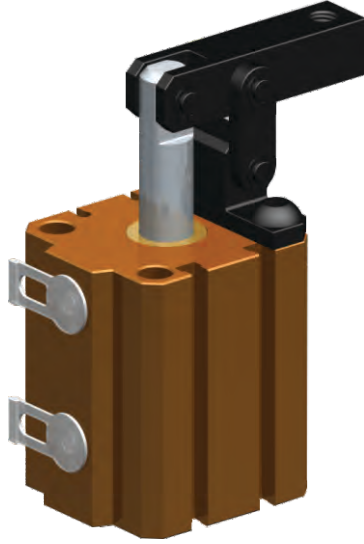


6017



new

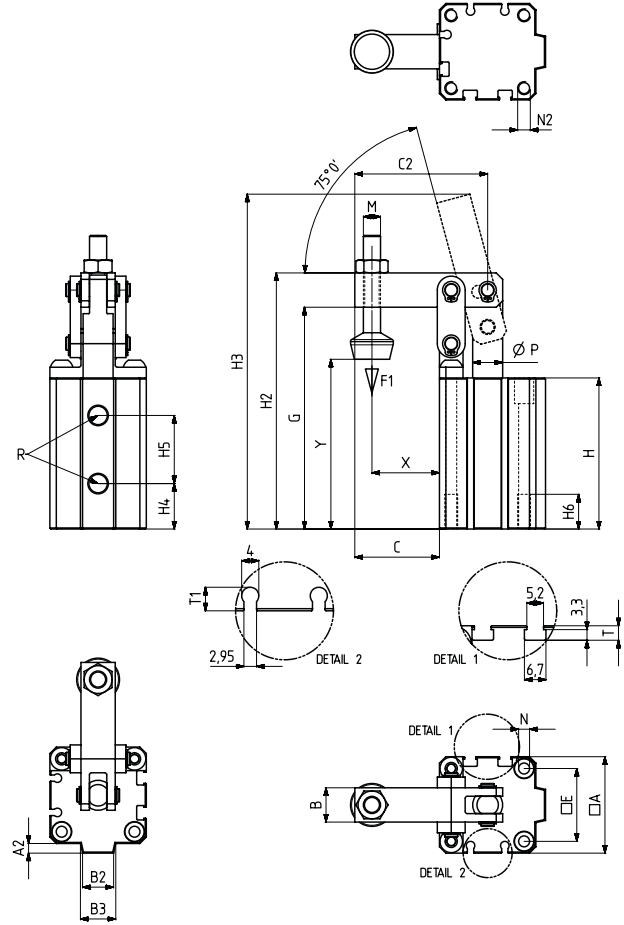


Pneumatic Toggle Clamps - Square Body

MODEL NO	F1 (N)	Vn (dm ³)	BASKI VİDASI (SQUEEZE SCREW)	(WEIGHT) (gr)	BAR
6017-25	200	0,13	M6 x 40	360	6
6017-32	300	0,25	M8 x 50	530	6
6017-40	500	0,46	M8 x 50	720	6
6017-50	700	0,79	M10 x 70	1110	6

F1 : BASKI KUVVETİ (EXERTING FORCE)

Vn , 6 BAR BASINÇTA ÇİFT HAREKET İÇİN HAVA TÜKETİM MİKTARIDIR (Vn , AIR CONSUMPTION PER DOUBLE STROKE IN dm³ AT 6 BAR)



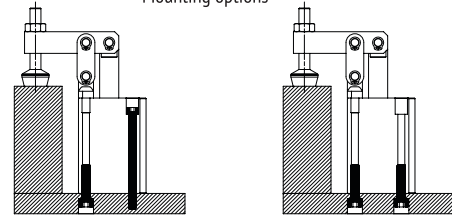
PNEUMATIC TOGGLE CLAMP - SQUARE BODY

- Cylinder is double acting and magnetic.
- The body is made of strength aluminum. Anodised for Corrosion resistance.
- The piston rod is hard chrome plated and shapely polished for to high wear resistance and corrosion resistance.
- Parts of the mechanism are made of steel and phosphate coated for corrosion resistance.
- There are slots on the body, according to T type and C type sensors, for monitoring the position of piston.

Accessories : (not included in the price)

1-) Squeeze part (911,912,913,914,915,916)

Mounting options



1- Mounting from above with socket bolt 2- Mounting through to tapped holes on the lower surface of body.

MODEL NO	A	A2	B	B2	B3	C	C2	D	E	G	H	H2	H3	H4	H5	H6	M	N	N2	P	R	T	T1	X	Y Min	Y Max	PISTON Ø
6017-25	40	4	14	10,5	12,5	34	54		29	80,5	58	94,5	124,5	15,6	30,9	15	M6	Ø5,1	M6	12	M5	5	5,5	27	54	70	25
6017-32	45	4,5	16	14,5	16,5	37,5	60		34	96	66,5	112	145	21,2	33,2	17	M8	Ø5,1	M6	14	G1/8	4,5	5,5	29,5	61	83	32
6017-40	55	5	16	19,5	24	32,5	60		40	104	72	119	148	21,2	38,8	17	M8	Ø5,5	M8	14	G1/8	6,5	7	24,5	69	91	40
6017-50	64	6	20	20	23	38	70		50	115	79	135	165	20,2	46,6	17	M10	Ø6,5	M8	20	G1/8	6	6,5	28	63	98	50



تلفن : (021) 33913364 - 33951660

فکس : (021) 33985603