

## SRB Model (Split Outer Ring model for inner ring rotation)

**SRB20030**

Model number

**UU**

Seal mark

If no mark is available: no seal  
UU : seal on both sides  
U : seal on either side

**S1**

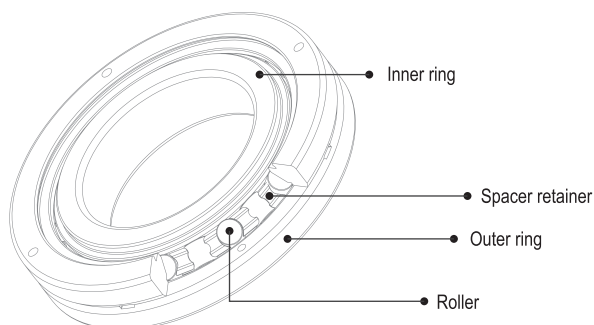
Radial clearance mark (P.19)

S1 : Preloaded (negative clearance)  
C1 : No preload (positive clearance)

**P2**

Accuracy mark (P.15)

if no mark is available: ordinary grade (0 grade)  
P5 : rotating accuracy grade 5  
PS5 : rotating accuracy grade 5+size accuracy grade 5  
P4 : rotating accuracy grade 4  
PS4 : rotating accuracy grade 4 +size accuracy grade 4  
P2 : rotating accuracy grade 2  
PS2 : rotating accuracy grade 2 + size accuracy grad 2

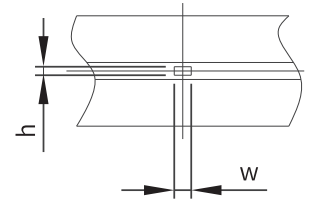
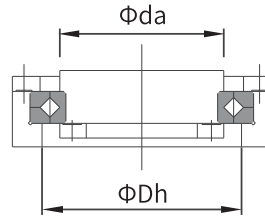
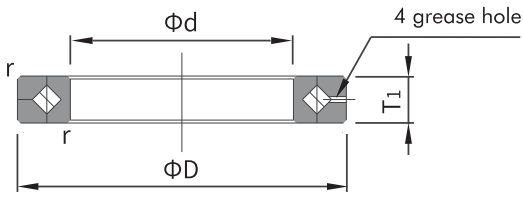


Unit : mm

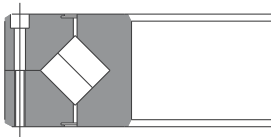
Shaft Diameter	Model Number	Main Dimensions						Shoulder Height		Basic Load Rating (Radial)		Mass
		Inner Diameter d	Outer Diameter D	Width T <sub>1</sub>	Greasing Hole		Chamfer r <sub>min</sub>	da	Dh	C kN	C <sub>0</sub> kN	kg
					w	h						
20	SRB2008	20	36	8	2.1	0.7	0.5	24	30	3.2	3.1	0.06
25	SRB2508	25	41	8	2.1	0.7	0.5	29	35	3.6	3.8	0.07
30	SRB3010	30	55	10	2.6	0.8	0.6	37.5	46.5	7.4	8.4	0.14
35	SRB3510	35	60	10	2.6	0.8	0.6	41.5	51	7.6	9.1	0.12
40	SRB4010	40	65	10	2.6	0.8	0.6	47	58	8.3	10.8	0.18
45	SRB4510	45	70	10	2.6	0.8	0.6	51.5	61	8.6	11.1	0.15
50	SRB5013	50	80	13	2.6	1.5	0.6	57	72.5	16.6	20.7	0.28
60	SRB6013	60	90	13	2.6	1.5	0.6	67.5	82.5	18	24.1	0.32
70	SRB7013	70	100	13	2.6	1.5	0.6	78.5	91.5	19.5	27.9	0.37
80	SRB8016	80	120	16	3.1	1.5	0.8	91.5	110	30	42	0.72
90	SRB9016	90	130	16	3.1	1.5	1.0	98.8	117	31.3	45.1	0.77
100	SRB10016	100	140	16	3.6	1.5	1.0	110	128	31.8	48.8	0.82
100	SRB10020	100	150	20	3.6	1.5	1.0	117	132	33	51	1.47
110	SRB11012	110	135	12	2.6	0.8	0.6	118	126	12.6	24	0.42
110	SRB11015	110	145	15	3.6	1.5	0.6	123	135	23.8	41.8	0.76
110	SRB11020	110	160	20	3.6	1.5	1.0	121	139	34	54	1.58
120	SRB12016	120	150	16	3.6	1.5	0.8	128	140	24.3	43.4	0.74
120	SRB12025	120	180	25	3.6	2.1	1.5	134	163	66.8	100.2	2.62

Note) (w) and (h) greasing hole dimensions in the detailed view are reference values.

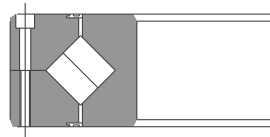




grease hole detailed view



SRB



SRB...UU

Unit : mm

Shaft Diameter	Model Number	Main Dimensions						Shoulder Height		Basic Load Rating (Radial)		Mass
		Inner Diameter $d$	Outer Diameter $D$	Width $T_1$	Greasing Hole		Chamfer $r_{min}$	$da$	$Dh$	$C$ kN	$C_0$ kN	kg
					$w$	$h$						
130	SRB13015	130	160	15	3.6	1.5	0.8	136	151	25	46.9	0.74
130	SRB13025	130	190	25	3.6	2.1	1.2	144	173	69.7	107.3	2.8
140	SRB14016	140	175	16	2.6	1.5	0.8	148	163	26	50.3	1.1
140	SRB14025	140	200	25	3.6	2.1	1.2	155	184	74.7	121	2.98
150	SRB15013	150	180	13	2.6	1.5	0.5	158	171	27.1	53.7	0.66
150	SRB15025	150	210	25	3.6	2.1	1.2	165	193	76.5	128	3.18
150	SRB15030	150	230	30	4.6	3.1	1.5	174	210	100	156	5.2
160	SRB16025	160	220	25	3.6	2.1	1.2	172	205	81.6	135	3.12
170	SRB17020	170	220	20	3.6	1.5	1.2	185	197	29.2	62	2.2
180	SRB18025	180	240	25	3.6	1.8	1.2	196	224	84.3	143	3.41
190	SRB19025	190	240	25	3.6	1.5	0.8	203	221	41.8	82.7	2.97
200	SRB20025	200	260	25	3.6	1.8	1.8	214	246	84.1	157	4.2
200	SRB20030	200	280	30	4.6	2.8	1.8	222	257	113	202	6.8
200	SRB20035	200	295	35	5.1	2.8	1.8	224	271	151	251	9.8
220	SRB22025	220	280	25	3.6	1.8	1.8	236	264	92.1	173	4
240	SRB24025	240	300	25	3.6	1.8	2.2	255	282	68.4	146	4.7
250	SRB25025	250	310	25	3.6	1.8	2.2	264	291	69.2	152	5.2

Note) (w) and (h) greasing hole dimensions in the detailed view are reference values.



تلفن : (021) 33913364 - 33951660

فکس : (021) 33985603