

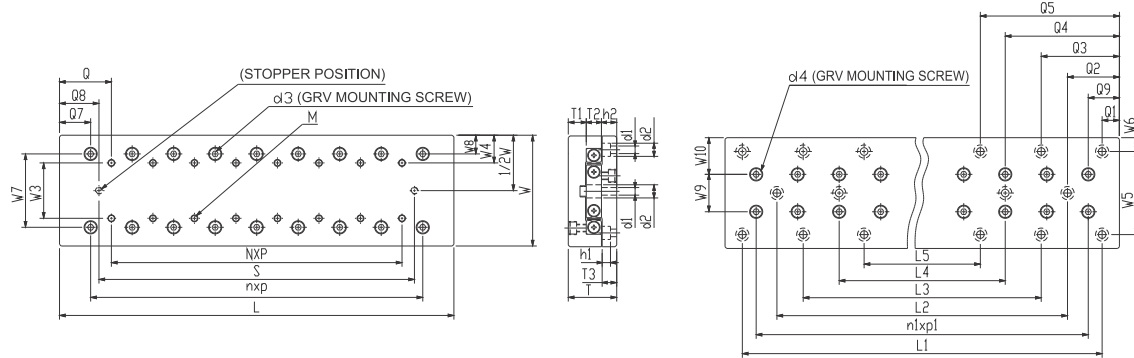
Linear Motion Component ► Guides & Bearings ► Slide Table

GRB / GRB - N / GRB - B

GRB-B

GRB

GRB-N



Model No.			Max. Stroke (mm)	Roller Dia. (mm)	Main Dimensions (mm)					Table Mounting Dimensions (mm)																
Standard	Antirust	Black Coating			W	T	L	T ₁	T ₂	T ₃	N*P	n*p	M	S	d ₃	Q	Q ₇	Q ₈	W ₃	W ₄	W ₇	W ₈	L ₁	L ₂	L ₃	n*p ₁
GRB30-25	GRB30-25-N	GRB30-25-B	12							/	1*10						2.5					18			1*10	
GRB30-35	GRB30-35-N	GRB30-35-B	18							1*10	2*10						4.5					28	/		2*10	
GRB30-45	GRB30-45-N	GRB30-45-B	25							2*10	3*10						6					38			3*10	
GRB30-55	GRB30-55-N	GRB30-55-B	32	Ø1.5	30±0.1	17±0.1	55	7	4	5.5	3*10	4*10	M2	40	4.1	12.5	7.5	7.5	10	10	18.4	5.8	48	/	28	4*10
GRB30-65	GRB30-65-N	GRB30-65-B	40								4*10	5*10					8.5					58		38	5*10	
GRB30-75	GRB30-75-N	GRB30-75-B	45								5*10	6*10					11					68		48	6*10	
GRB30-85	GRB30-85-N	GRB30-85-B	50								6*10	7*10					13.5					78		58	7*10	
GRB40-35	GRB40-35-N	GRB40-35-B	18	Ø2.0			35	8	6	6.5	/	1*15									25	7.5	25			1*15
GRB40-50	GRB40-50-N	GRB40-50-B	30								1*15											40	/		1*25	
GRB40-65	GRB40-65-N	GRB40-65-B	40								2*15											55			1*25	
GRB40-80	GRB40-80-N	GRB40-80-B	50	Ø3.0	40±0.1	21±0.1	80	7	8	5.5	3*15		M3	61	7.5	17.5	15	9.5	15	12.5	25.5	7.25	70	/	40	2*25
GRB40-95	GRB40-95-N	GRB40-95-B	60								4*15											85		55	2*25	
GRB40-110	GRB40-110-N	GRB40-110-B	70								5*15											100		70	3*25	
GRB40-125	GRB40-125-N	GRB40-125-B	80								6*15											115		85	3*25	
GRB60-55	GRB60-55-N	GRB60-55-B	30								/	1*25										35			1*25	
GRB60-80	GRB60-80-N	GRB60-80-B	45								1*25	2*25										60	/		2*25	
GRB60-105	GRB60-105-N	GRB60-105-B	60								2*25	3*25										85			3*25	
GRB60-130	GRB60-130-N	GRB60-130-B	75	Ø3.0	60±0.1	28±0.1	130	10.5	8	9	3*25	4*25	M4	89	7.5	27.5	15	20.5	25	17.5	39	10.5	110	/		4*25
GRB60-155	GRB60-155-N	GRB60-155-B	90								4*25	5*25										135	85		5*25	
GRB60-180	GRB60-180-N	GRB60-180-B	105								5*25	6*25										160	110		6*25	
GRB60-205	GRB60-205-N	GRB60-205-B	130								6*25	7*25										185	135	85	7*25	

Ordering Example :	GRB	30	25	N
	B type table	Table width	Table length	Antirust

Linear Motion Component ► Guides & Bearings ► Slide Table

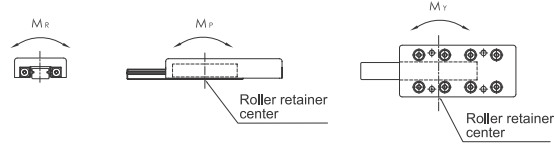
GRB / GRB - N / GRB - B



Material Specification

Component Material Model No.	Table	Rail	Retainer	Roller
GRB	Aluminum alloy +black anodized	SUJ2	SUS304	SUJ2
GRB - N	S50C+Ni	SUJ2+Ni	SUS304	SUJ2
GRB - B	S50C +phosphate	SUJ2	SUS304	SUJ2

GRB-N No Surface finished to V-groove surface of the rail.



★ Each of load and torque changes oppositely in stroke variation

Base Mounting Dimensions (mm)														Basic Dynamic Load Rating C(N)	Basic Static Load Rating Co(N)	Allow-Able Load Fu(N)	Static Rated Moment			Weight (kg)		Table Moving Accuracy (µm)			
Q ₁	Q ₂	Q ₃	Q ₉	W ₅	W ₆	W ₉	W ₁₀	d ₁	d ₂	d ₄	h ₁	h ₂	M _R (N-m)				M _P (N-m)	M _Y (N-m)	Standard	Antirust	Center Parallelism	Side Parallelism			
3.5	/	/	/	/	/	/	/	/	/	/	/	/	/	379	576	192	2.6	1.2	1.4	0.04	0.09	2	4		
														523	865	288	3.9	2.6	3.0	0.06	0.12				
														657	1,153	384	5.2	4.6	5.2	0.07	0.16				
		13.5	/	/	/	/	/	/	/	/	/	/	/	/	/	783	1,441	480	6.5	7.2	7.9	0.09	0.19	2	5
																903	1,729	576	7.8	10.4	11.2	0.10	0.23		
																1,131	2,306	769	10.4	18.4	17.3	0.12	0.27		
																1,240	2,594	865	11.7	23.3	22.0	0.14	0.30		
5	/	/	/	/	/	/	/	/	/	/	/	/	/	895	1,170	390	7.0	3.1	3.9	0.10	0.20	2	4		
														2,901	4,567	1,522	42.6	22.8	26.6	0.16	0.29				
		20	/	/	/	/	/	/	/	/	/	/	/	/	/	2,901	4,567	1,522	42.6	22.8	19.0	0.18	0.36	2	5
																4,338	7,611	2,537	71.0	63.4	57.1	0.25	0.46		
		25	/	/	/	/	/	/	/	/	/	/	/	/	/	3,640	6,089	2,030	56.8	40.6	45.7	0.27	0.53	3	6
																5,005	9,133	3,044	85.2	91.3	98.9	0.34	0.63		
																5,005	9,133	3,044	85.2	91.3	83.7	0.36	0.69		
																5,005	9,133	3,044	85.2	91.3	83.7	0.36	0.69		
10	/	/	/	/	/	/	/	/	/	/	/	/	/	2,901	4,567	1,522	42.6	22.8	26.6	0.31	0.65	2	5		
														4,338	7,611	2,537	71.0	63.4	57.1	0.46	0.96				
		35	/	/	/	/	/	/	/	/	/	/	/	/	/	5,646	10,655	3,552	99.5	124.3	115.4	0.61	1.27	3	6
																6,268	12,178	4,059	113.7	162.4	172.5	0.76	1.57		
		60	/	/	/	/	/	/	/	/	/	/	/	/	/	7,462	15,222	5,074	142.1	253.7	266.4	0.90	1.87	3	7
																8,603	18,266	6,089	170.5	365.3	350.1	1.05	2.18		
																8,603	18,266	6,089	170.5	365.3	350.1	1.05	2.18		
																9,157	19,789	6,596	184.7	428.8	445.2	1.20	2.47		

Linear Motion Component ► Guides & Bearings ► Slide Table

GRB / GRB - N / GRB - B

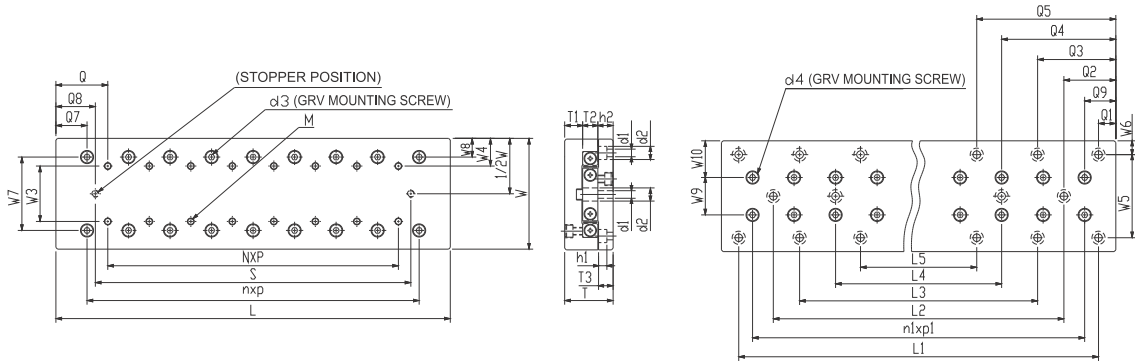
GRB-B



GRB



GRB-N



Model No.			Max. Stroke (mm)	Roller Dia. (mm)	Main Dimensions (mm)					Table Mounting Dimensions (mm)																				
Standard	Antirust	Black Coating			W	T	L	T ₁	T ₂	T ₃	N*P	n*p	M	S	d ₃	Q	Q ₇	Q ₈	W ₃	W ₂	W ₇	W ₆	L ₁	L ₂	L ₃	L ₄	L ₅	n*p1		
GRB80-85	GRB80-85-N	GRB80-85-B	50	Ø4.0	80±0.1	35±0.1	85			/	1*40	64					10.5					40						1*40		
GRB80-125	GRB80-125-N	GRB80-125-B	75				125					1*40	2*40	89					18					80	/					2*40
GRB80-165	GRB80-165-N	GRB80-165-B	105				165					2*40	3*40	119					23					120						3*40
GRB80-205	GRB80-205-N	GRB80-205-B	135				205	13	11	10.5		3*40	4*40	M5	149	9.5	42.5	22.5	28	40	20	53	13.5	160	/	80	/	/		4*40
GRB80-245	GRB80-245-N	GRB80-245-B	155				245					4*40	5*40		169				38					200	120					5*40
GRB80-285	GRB80-285-N	GRB80-285-B	185				285					5*40	6*40		199				43					240	160					6*40
GRB80-325	GRB80-325-N	GRB80-325-B	215				325					6*40	7*40		229				48					280	200	120				7*40
GRB100-110	GRB100-110-N	GRB100-110-B	60	Ø6.0	100±0.1	45±0.1	110			/	1*50	77					16.5					90						1*50		
GRB100-160	GRB100-160-N	GRB100-160-B	95				160					1*50	2*50	113					23.5					140						2*50
GRB100-210	GRB100-210-N	GRB100-210-B	130				210					2*50	3*50	148					31					190	90	/				3*50
GRB100-260	GRB100-260-N	GRB100-260-B	165				260	16	15	13		3*50	4*50	M6	183	11	55	30	38.5					240	140					4*50
GRB100-310	GRB100-310-N	GRB100-310-B	200				310					4*50	5*50		218				46					290	190					5*50
GRB100-360	GRB100-360-N	GRB100-360-B	235				360					5*50	6*50		253				53.5					340	240	140				6*50
GRB100-410	GRB100-410-N	GRB100-410-B	265				410					6*50	7*50		283				63.5					390	290	190				7*50
GRB100-510	GRB100-510-N	GRB100-510-B	350				450					7*50	8*50		390				60					450	390	290				8*50
GRB145-210	GRB145-210-N	GRB145-210-B	130				210					/	1*100	156					27					100						1*100
GRB145-310	GRB145-310-N	GRB145-310-B	180				310					1*100	2*100	206					52					200						2*100
GRB145-410	GRB145-410-N	GRB145-410-B	350	410	21	22	16		2*100	3*100	M8	376	14	105	55						300	100	/	/	/		3*100			
GRB145-510	GRB145-510-N	GRB145-510-B	450	510					3*100	4*100		476				17					400	200					4*100			
GRB145-610	GRB145-610-N	GRB145-610-B	550	610					4*100	5*100		576									500	300					5*100			

Ordering Example :	GRB	30	25	N
	B type table	Table width	Table length	Antirust

Linear Motion Component ► Guides & Bearings ► Slide Table

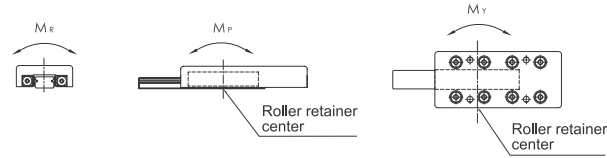
GRB / GRB - N / GRB - B



Material Specification

Component / Material / Model No.	Table	Rail	Retainer	Roller
GRB	Aluminum alloy +black anodized	SUJ2	SUS304	SUJ2
GRB - N	S50C+Ni	SUJ2+Ni	SUS304	SUJ2
GRB - B	S50C +phosphate	SUJ2	SUS304	SUJ2

GRB-N No Surface finished to V-groove surface of the rail.



★ Each of load and torque changes oppositely in stroke variation

Base Mounting Dimensions (mm)													Basic Dynamic Load Rating C(N)	Basic Static Load Rating Co(N)	Allow-Able Load Fu(N)	Static Rated Moment			Weight (kg)		Table Moving Accuracy (µm)					
Q ₁	Q ₂	Q ₃	Q ₄	Q ₅	Q ₉	W ₅	W ₆	W ₉	W ₁₀	d ₁	d ₂	d ₄				h ₁	h ₂	M _R (N·m)	M _P (N·m)	M _V (N·m)	Standard	Antirust	Center Parallelism	Side Parallelism		
22.5	/	/	/	/	22.5	60	10	27	26.5	5.5	9.5	9.5	6	11	6,617	9,357	3,119	124.8	87.3	76.4	0.84	1.72	2	5		
															9,097	14,035	4,678	187.1	196.5	180.1	1.25	2.55			3	7
															10,264	16,375	5,458	218.3	267.5	286.6	1.65	3.37				
		12,492	21,053	7,018	280.7	442.1	466.7	2.06	4.18	4	8															
		14,612	25,732	8,577	343.1	660.4	690.5	2.46	5.00																	
		16,646	30,410	10,137	405.5	922.4	957.9	2.87	5.83																	
10	/	/	/	/	30	60	20	26	37	7	11	11	6.5	14	13,923	21,053	7,018	315.8	252.6	221.1	1.72	3.51	3	7		
															16,592	26,316	8,772	394.7	394.7	434.2	2.53	5.15				
															21,596	36,842	12,281	552.6	773.7	828.9	3.34	6.79				
															26,285	47,369	15,790	710.5	1279.0	1207.9	4.13	8.39				
		30,744	57,895	19,298	868.4	1910.5	1823.7	4.95	10.04	4	8															
		35,024	68,421	22,807	1026.3	2668.4	2565.8	5.75	11.64																	
		39,160	78,948	26,316	1184.2	3552.6	3434.2	6.56	13.28																	
		45,141	84,600	28,200	1269.0	4568.4	4441.5	8.17	16.52																	
55	/	/	/	/	55	90	27.5	46	49.5	9	14	14	8.5	17.5	46,991	72,741	24,247	1745.8	1697.3	1527.6	6.75	13.23	3	7		
															61,165	101,838	33,946	2444.1	3326.7	3564.3	10.03	19.62				
															67,898	116,386	38,795	2793.3	4345.1	4073.5	13.21	25.88	4	8		
															80,829	145,482	48,494	3491.6	6789.2	6449.7	16.48	32.26				
															87,562	160,030	53,343	3840.8	7807.6	6958.9	19.75	38.64				