

HE-BC, HE-BL, HE-BF

An optimal illumination of the workplace offers not only more safety but also more well-being and fatigue-free working. Crucial for this is the selection of the light source.



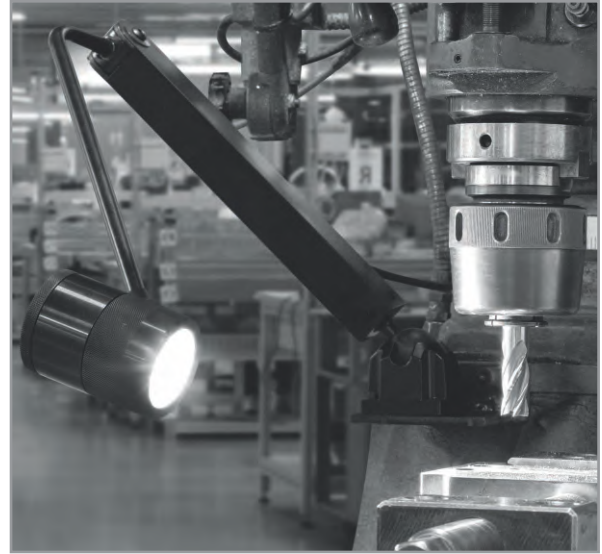
LED lights HE-BC with ball joint

Luminaires with modern LED technology provide for an optimal and constant light output with neutral color reproduction, without visual impairment due to flickering light, without emission of UV or infrared radiation, the temperature near the lamp is constantly low. Compared to halogen or neon lamps, the missing filament allows working even under difficult conditions. The average lifespan of the LEDs is 50,000 hours, equivalent to a continuous operation of six years.

Compared to a conventional light bulb, this can reduce the cost of use by 50%, without replacement or repair work.



Workplace light HE-BF with flexible lamp arm



Typ HE-BL with long rigid lamp arm

There are three versions with different lamp arms available for mounting in the workplace. In all versions, the on / off switch is located directly on the lamp head

- HE-BC: short lamp arm with ball joint
- HE-BF: long lamp arm, flexible
- HE-BL: long lamp arm, rigid

The light head of all lamp types consists of anodised aluminum, the attachment is made by screwing on the lamp base. Alternatively, a clamp foot or a magnetic base for a more flexible attachment are available.

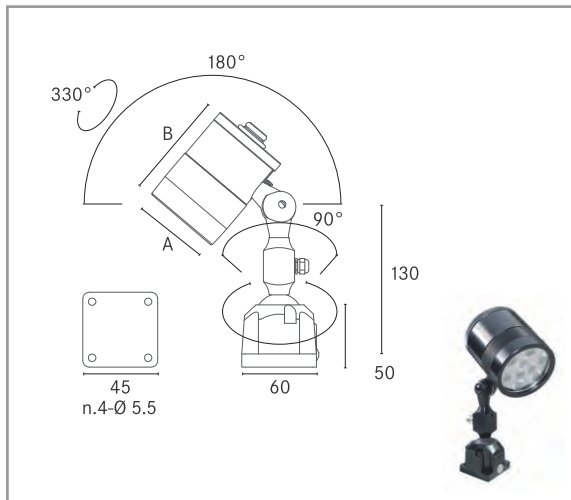
For perfect illumination and brightness matching, each of these lamp types can be equipped with 3, 6 or 9 LEDs as well as an 8°, 25°, 40° or 60° lens.

Advantages of HE-BC, BF, BL workplace lights

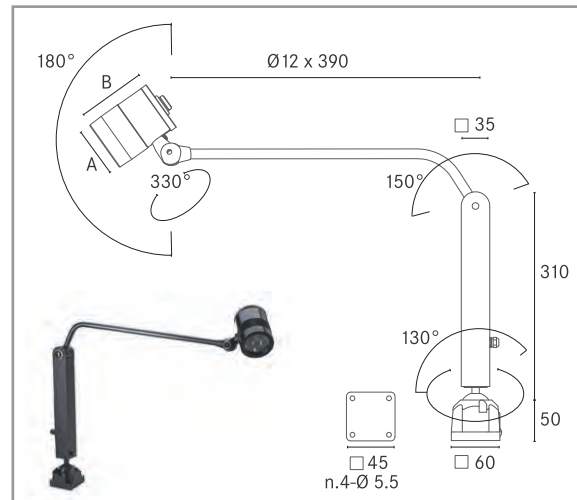
- Number of LED customizable - 3, 6 or 9 LEDs per head
- Different beam angles 8°, 25°, 40°, 60°
- Individual alignment of the light
- Robust design, shock and vibration resistant
- Resistant to commercial cooling lubricants
- Ambient temperature -20°C to + 55°C
- LED technology with up to 50,000 operating hours
- UL-certified



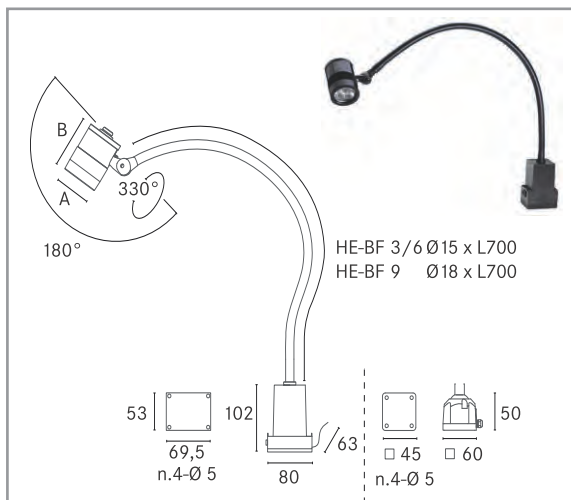
HE-BC, HE-BL, HE-BF



HE-BC with ball joint

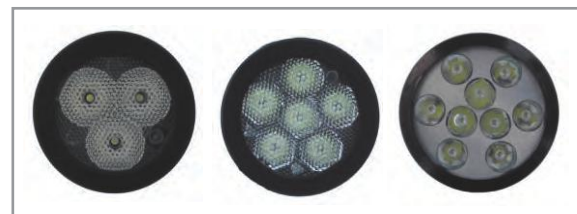


HE-BL with long rigid lamp arm



HE-BF with flexible lamp arm

Type	Number of LEDs	A Ø	B
HE-BC, HE-BF, HE-BL	3	64 mm	86 mm
HE-BC, HE-BF, HE-BL	6	64 mm	86 mm
HE-BC, HE-BF, HE-BL	9	90 mm	101 mm



Lamp head with 3, 6, and 9 LEDs



Type	Operating voltage	Number of LEDs	Input	Watt	Color temperature	Lens	Mounting
HE-BC	24 VDC or 230 V	3	0.5 A	6 W	5000 K	8°, 25°, 40°	ClampP04 or B02
	24 VDC or 230 V	6	0.5 A	12 W	5000 K	8°, 25°, 40°	ClampP04 or B02
	230V	9	0.35 A	18 W	5000 K	8°, 25°, 40°	ClampP04 or B02
HE-BF	24 VDC or 230 V	3	0.5 A	6 W	5000 K	8°, 25°	ClampP04 or B022
	24 VDC or 230 V	6	0.5 A	6 W	5000 K	8°, 25°	ClampP04 or B02
HE-BL	24 VDC or 230 V	3	0.5 A	6 W	5000 K	8°, 25°, 40°	ClampP04 or B02
	24 VDC or 230 V	6	0.5 A	6 W	5000 K	8°, 25°, 40°	ClampP04 or B02
	230 V	9	0.35 A	18 W	5000 K	8°, 25°, 40°	ClampP04 or B02

Supplied with cable length 1.5 m, cable end at 24 VDC connection with free stranded ends, cable end at 230 VAC with Schuko plug.
When ordering specify operating voltage.

